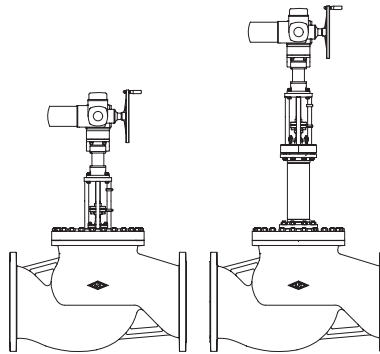


Control valve straight through with V-port plug
DN 300 - 500

ARI-STEVI® 425 / 426

Electric actuator AUMA SAR with LE

- Electric multiturn actuator capable of high closing pressures
- Enclosure IP 67
- 2 torque switches
- 2 travel switches
- Handwheel
- Overheating protection for motor as standard
- Additional devices available, e.g. potentiometer
- Explosion proof version available
- Encased linear thrust unit

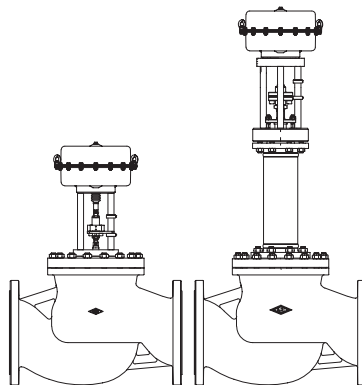


Page 2

ARI-STEVI® 425 / 426

Pneumatic actuator DP

- Reversible pneumatic actuator
- Actuator with rolling diaphragm
- Air supply pressure max. 6 bar
- Stem protection by bellow
- Maintenance-free O-ring sealing
- Assembly of additional devices acc. to DIN IEC 60534-6



Page 8

Features:

- Maintenance-free EPDM- and bellows seal
- Burnished stem
- Rangeability 30 : 1
- Three-ply bellows seal
- Travel indicator
- Reducible kvs-values

Control valve straight through with electric actuator AUMA SAR (DN300-500)

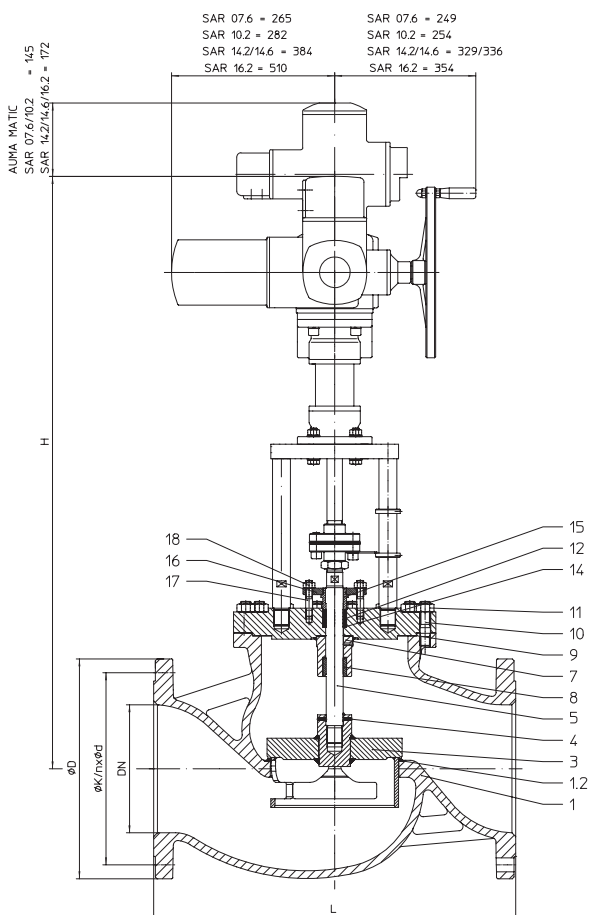


Figure	Nominal pressure	Material	Nominal diameter
12.425	PN16	EN-JL1040	DN300
22.425	PN16	EN-JS1049	DN300
34.425	PN25	1.0619+N	DN300-500
35.425	PN40	1.0619+N	DN300-500

Other materials and versions on request.

Stem sealing
Fig. 425: • PTFE-packing -10°C to 250°C
• Pure graphite-packing -10°C to 450°C
• EPDM-stem sealing 0°C to 130°C

Plug design
standard: • V-port plug, metal seat
optional: • V-port plug with PTFE soft seal (max. 200°C) (on request)
• Perforated plug, metal seat
• V-port pressure balanced plug (or perforated plug), metal seat;
Material of piston seal:
PTFE with stainless steel spring (max. 200°C)

Guiding
• V-port plug: Stem and port guiding

Flow characteristic:
• Equal percentage (modified) or linear

Rangeability
• 30 : 1

Shut off class (seat / plug leakage classes)
• Metal seat - Leakage class IV acc. to DIN EN 1349 or IEC 60534-4
• Soft seat - Leakage class VI acc. to DIN EN 1349 or IEC 60534-4

Closing pressures refer to page 6.
Technical data for actuator refer to data sheet.

Fig. 425

Selection of possible applications

Industrial installations, processing technology, plant manufacturing, etc.
(other applications on request)

Selection of possible flow media

Cooling water, cooling brine, warm water, hot water, steam, gas, etc.
(other flow media on request)

Dimensions and weights

DN			300	350	400	500	
L			(mm)	850	980	1100	1350 (acc. to manufacturers standard)
	Fig. 425	H	(mm)	1189	1376	1413	1500
SAR 07.6 with LE 25.1		PN16	(kg)	402	--	--	--
		PN25-40	(kg)	458	599	857	1253
H		(mm)	1276	1333	1370	1457	
SAR 10.2 with LE 50.1		PN16	(kg)	410	--	--	--
		PN25-40	(kg)	466	607	865	1261
H		(mm)	1424	1516	1553	1640	
SAR 14.2 with LE 70.1		PN16	(kg)	467	--	--	--
		PN25-40	(kg)	523	664	922	1318
H		(mm)	1424	1516	1553	1640	
SAR 14.6 with LE 100.1		PN16	(kg)	469	--	--	--
		PN25-40	(kg)	525	666	924	1320
H		(mm)	1433	1625	1662	1749	
SAR 16.2 with LE 200.1		PN16	(kg)	521	--	--	--
		PN25-40	(kg)	577	718	976	1372

Standard-flange dimensions refer to page 11.

(For version with AUMA SAR Ex other heights.)

Face-to-face dimension FTF series 1 according to DIN EN 558

Parts

Pos.	Description	Fig. 12.425	Fig. 22.425	Fig. 34.425 Fig. 35.425
1	Body	EN-GJL-250, EN-JL1040	EN-GJS-400-18U-LT, EN-JS1049	GP240GH+N, 1.0619+N
1.2	Seat	X20Cr13+QT, 1.4021+QT		G19 9 Nb Si, 1.4551
3	Plug *	P265GH, 1.0425 + S235JR, 1.0037 / G19 9 Nb Si, 1.4551		
4	Straight pin *	X10CrNi18-8, 1.4310		
5	Stem *	X20Cr13+QT, 1.4021+QT		
7	Stuffing box housing	P265GH, 1.0425 + S235JR, 1.0037		
8	Guide bushing	X20Cr13+QT, 1.4021+QT		
9	Gasket *	Pure graphite (CrNi laminated with graphite)		
10	Studs	25CrMo4, 1.7218		
11	Hexagon nuts	C35E, 1.1181		
12	Packing ring *	PTFE or Pure graphite		
14	Washer *	X5CrNi18-10, 1.4301		
15	Packing follower *	X20Cr13+QT, 1.4021+QT		
16	Packing box flange	X20Cr13+QT, 1.4021+QT		
17	Studs	25CrMo4, 1.7218		
18	Hexagon nuts	C35E, 1.1181		

* Spare parts

Information / restriction of technical rules need to be observed!

ARI-Valves of EN-JL1040 are not allowed to be operated in systems acc. to TRD 110.

A production allowance acc. to TRB 801 No. 45 exists (acc. to TRB 801 No. 45 EN-JL1040 is not allowed.)

The engineer, designing a system or a plant, is responsible for the selection of the correct valve.

Control valve straight through with electric actuator AUMA SAR (DN300-500)

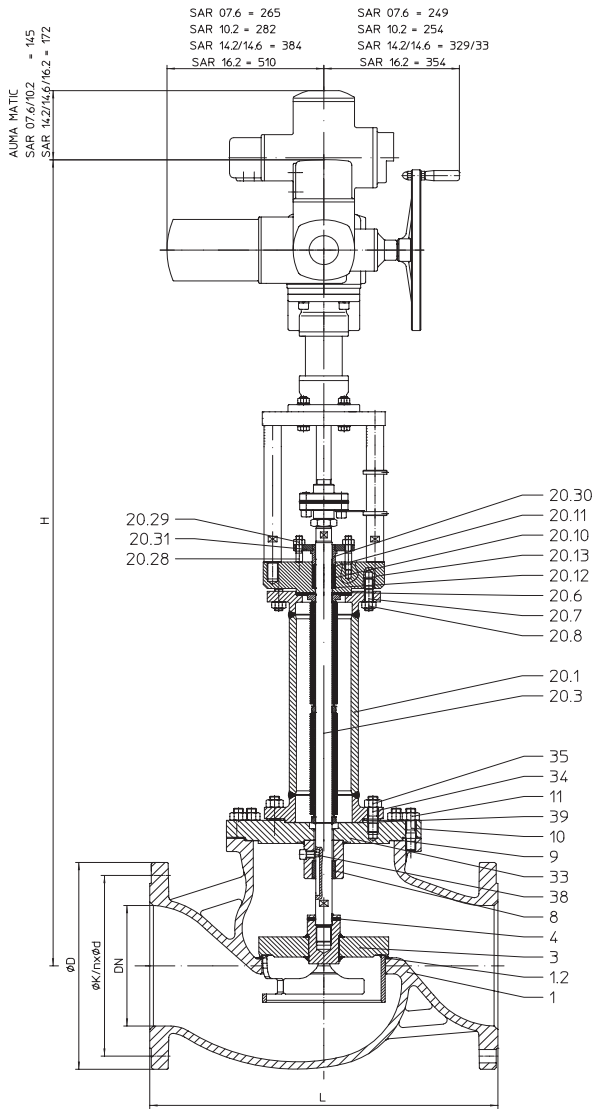


Figure	Nominal pressure	Material	Nominal diameter
12.426	PN16	EN-JL1040	DN300
22.426	PN16	EN-JS1049	DN300
34.426	PN25	1.0619+N	DN300-500
35.426	PN40	1.0619+N	DN300-500

Other materials and versions on request.

Stem sealing

Fig. 426: • Stainless steel bellows seal with safety stuffing box -60°C to 450°C

Plug design

standard: • V-port plug, metal seat

optional:

- V-port plug with PTFE soft seal (max. 200°C) (on request)
 - Perforated plug, metal seat
 - V-port pressure balanced plug (or perforated plug), metal seat;
- Material of piston seal:
PTFE with stainless steel spring (max. 200°C)

Guiding

- V-port plug: Stem and port guiding

Flow characteristic:

- Equal percentage (modified) or linear

Rangeability

- 30 : 1

Shut off class (seat / plug leakage classes)

- Metal seat - Leakage class IV acc. to DIN EN 1349 or IEC 60534-4
- Soft seat Leakage - class VI acc. to DIN EN 1349 or IEC 60534-4

Closing pressures refer to page 6.

Technical data for actuator refer to data sheet.

Selection of possible applications

Industrial installations, processing technology, plant manufacturing, etc.
(other applications on request)

Selection of possible flow media

Refrigerant, cooling water, warm water, hot water, thermal oil, steam, gas, etc.
(other flow media on request)

Fig. 426

Dimensions and weights

DN			300	350	400	500	
L			(mm)	850	980	1100	1350 (acc. to manufacturers standard)
	Fig. 426	H	(mm)	1817	2005	2024	2122
SAR 07.6 with LE 25.1		PN16	(kg)	497	--	--	--
		PN25-40	(kg)	548	686	917	1323
H		(mm)	1904	1962	1981	2079	
SAR 10.2 with LE 50.1		PN16	(kg)	505	--	--	--
		PN25-40	(kg)	556	694	925	1331
H		(mm)	2052	2145	2164	2262	
SAR 14.2 with LE 70.1		PN16	(kg)	562	--	--	--
		PN25-40	(kg)	613	751	982	1388
H		(mm)	2052	2145	2164	2262	
SAR 14.6 with LE 100.1		PN16	(kg)	564	--	--	--
		PN25-40	(kg)	615	753	984	1390
H		(mm)	2061	2254	2273	2371	
SAR 16.2 with LE 200.1		PN16	(kg)	616	--	--	--
		PN25-40	(kg)	667	805	1036	1442

Standard-flange dimensions refer to page 11.

(For version with AUMA SAR Ex other heights.)

Face-to-face dimension FTF series 1 according to DIN EN 558

Parts

Pos.	Description	Fig. 12.426	Fig. 22.426	Fig. 34.426 Fig. 35.426
1	Body	EN-GJL-250, EN-JL1040	EN-GJS-400-18U-LT, EN-JS1049	GP240GH+N, 1.0619+N
1.2	Seat	X20Cr13+QT, 1.4021+QT		G19 9 Nb Si, 1.4551
3	Plug *	P265GH, 1.0425 + S235JR, 1.0037 / G19 9 Nb Si, 1.4551		
4	Straight pin *	X12CrNi17-7, 1.4310		
8	Guide bushing	X20Cr13+QT, 1.4021+QT		
9	Gasket *	Pure graphite (CrNi laminated with graphite)		
10	Studs	25CrMo4, 1.7218		
11	Hexagon nuts	C35E, 1.1181		
20.1	Bellows housing	P265GH, 1.0425 / P235GH-TC1, 1.0345		
20.3	Stem- / Bellows unit *	X20Cr13+QT, 1.4021+QT / X6CrNiTi18-10, 1.4541		
20.6	Gasket *	Pure graphite (CrNi laminated with graphite)		
20.7	Studs	25CrMo4, 1.7218		
20.8	Hexagon nuts	C35E, 1.1181		
20.10	Packing ring *	PTFE or Pure graphite		
20.11	Packing ring *	PTFE or Pure graphite		
20.12	Washer *	X5CrNi18-10, 1.4301		
20.13	Stuffing box housing	P250 GH, 1.0460		
20.28	Studs	A4-70		
20.29	Hexagon nuts	A4		
20.30	Packing follower *	X20Cr13+QT, 1.4021+QT		
20.31	Packing box flange	X20Cr13+QT, 1.4021+QT		
33	Flange	P265GH, 1.0425		
34	Studs	25CrMo4, 1.7218		
35	Hexagon nuts	C35E, 1.1181		
38	Hexagon socket head screw	A2-70		
39	Gasket *	Pure graphite (CrNi laminated with graphite)		

* Spare parts

Information / restriction of technical rules need to be observed!

ARI-Valves of EN-JL1040 are not allowed to be operated in systems acc. to TRD 110.

A production allowance acc. to TRB 801 No. 45 exists (acc. to TRB 801 No. 45 EN-JL1040 is not allowed.)

The engineer, designing a system or a plant, is responsible for the selection of the correct valve.

max. permissible closing pressures on flow-to-open P2 = 0
 Observe restrictions by Pressure-temperature-ratings, refer to page 11.

DN		300			350			400			500				
Standard Kvs-values ⁴⁾	Seat-Ø (mm)			301			351			380			480		
	Kvs-value			1500			1800			2500			4000		
	Travel (mm)			90			120			120			120		
Reduced Kvs-values ⁴⁾	Seat-Ø (mm)	200	250		250	301		301	351		351	380			
	Kvs-value	630	1000		1000	1500		1500	1800		1800	2500			
	Travel (mm)	65	65		65	90		90	120		120	120			
Max. differential pressure drop (bar)	V-port plug	14	14	12	14	12	12	12	12	12	12	12	10		
Actuator ¹⁾ AUMA SAR 07.6 with LE 25.1	Closing pressure (bar)	I./II./III.		6,4	4	2,2	4	2,2	1,5	2,2	1,5		1,5		
	Different. pressure (bar) ³⁾	3,3	2,1	1,4	2,1	1,4	1	1,4	1		1				
	Torque (Nm)	60			60			60			60				
	Operating time ²⁾ (s)	71		68	71	68	65	68	65		65				
	Output drive (rpm)	11		16	11	16	22	16	22		22				
Actuator ¹⁾ AUMA SAR 10.2 with LE 50.1	Closing pressure (bar)	I./II./III.		11	7	4,1	7	4,1	3	4,1	3	2,5	3	2,5	1,5
	Different. pressure (bar) ³⁾	5,6	3,6	2,4	3,6	2,4	1,8	2,4	1,8	1,5	1,8	1,5	1		
	Torque (Nm)	120			120			120			120				
	Operating time ²⁾ (s)	59		56	59	56	55	56	55		55				
	Output drive (rpm)	11		16	11	16	22	16	22		22				
Actuator ¹⁾ AUMA SAR 14.2 with LE 70.1	Closing pressure (bar)	I./II./III.		19,3	12,3	7,7	12,3	7,7	5,6	7,7	5,6	4,8	5,6	4,8	2,9
	Different. pressure (bar) ³⁾	9,3	6	4	6	4	3	4	3	2,5	3	2,5	1,6		
	Torque (Nm)	250			250			250			250				
	Operating time ²⁾ (s)	70			70		64	70	64		64				
	Output drive (rpm)	8		11	8	11	16	11	16		16				
Actuator ¹⁾ AUMA SAR 14.6 with LE 100.1	Closing pressure (bar)	I./II./III.		39,3	25,2	16,3	25,2	16,3	12	16,3	12	10,2	12	10,2	6,3
	Different. pressure (bar) ³⁾	15,8	10,1	6,7	10,1	6,7	5	6,7	5	4,3	5	4,3	2,7		
	Torque (Nm)	500			500			500			500				
	Operating time ²⁾ (s)	70			70		64	70	64		64				
	Output drive (rpm)	8		11	8	11	16	11	16		16				
Actuator ¹⁾ AUMA SAR 16.2 with LE 200.1	Closing pressure (bar)	I./II./III.		40	40	28,2	40	28,2	20,8	28,2	20,8	17,8	20,8	17,8	11,1
	Different. pressure (bar) ³⁾	27	17,3	11,5	17,3	11,5	8,5	11,5	8,5	7,3	8,5	7,3	4,6		
	Torque (Nm)	1000			1000			1000			1000				
	Operating time ²⁾ (s)	61			61		56	61	56		56				
	Output drive (rpm)	8		11	8	11	16	11	16		16				
I. Fig. 425: EPDM-stem sealing;		II. Fig. 425: PTFE-/ Pure graphite-packing;						III. Fig. 426: Bellows seal							

¹⁾ Motor voltage: 400V 50Hz 3~
 (Other voltages on request)
 Technical data for actuator refer to price list.

²⁾ Indicated operating times with 50Hz.

³⁾ Restrictions through max. permissible torque of the actuator at controlling operation.

⁴⁾ Not for perforated plug (presentation ref. to page 12) acc. to Selection STEVI, refer to techn. annex.

Control valve straight through with pneumatic Actuator DP (DN300-350)

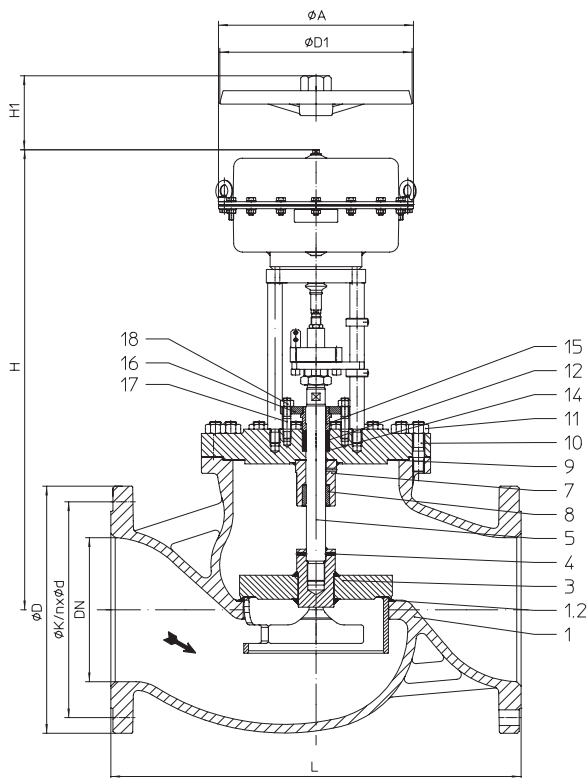


Fig. 425

Figure	Nominal pressure	Material	Nominal diameter
12.425 / 12.426	PN16	EN-JL1040	DN300
22.425 / 22.426	PN16	EN-JS1049	DN300
34.425 / 34.426	PN25	1.0619+N	DN300-350
35.425 / 35.426	PN40	1.0619+N	DN300-350

Other materials and versions on request.

Stem sealing

Fig. 425: • PTFE-packing -10°C to 250°C
• Pure graphite-packing -10°C to 450°C
• EPDM-stem sealing 0°C to 130°C

Fig. 426: • Stainless steel bellows seal with safety stuffing box -60°C to +450°C

Plug design

standard: • V-port plug, metal seat

optional:

- V-port plug with PTFE soft seal (max. 200°C) (on request)
- Perforated plug, metal seat
- V-port pressure balanced plug (or perforated plug), metal seat; Material of piston seal: PTFE with stainless steel spring (max. 200°C)

Guiding

- V-port plug: Stem and port guiding

Flow characteristic:

- Equal percentage (modified) or linear

Rangeability

- 30 : 1

Shut off class (seat / plug leakage classes)

- Metal seat - Leakage class IV acc. to DIN EN 1349 or IEC 60534-4
- Soft seat - Leakage class VI acc. to DIN EN 1349 or IEC 60534-4

Closing pressures refer to page 10.

Technical data for actuator refer to data sheet.

Selection of possible applications

Industrial installations, processing technology, plant manufacturing, etc. (other applications on request)

Selection of possible flow media

Fig. 425: Cooling water, cooling brine, warm water, hot water, steam, gas, etc.

Fig. 426: Refrigerant, cooling water, warm water, hot water, thermal oil, steam, gas, etc. (other flow media on request)

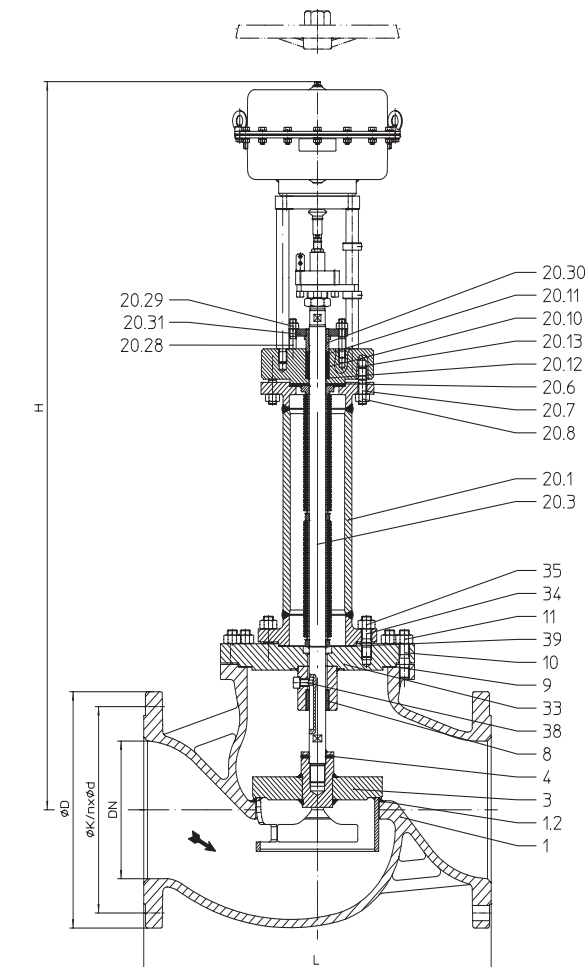
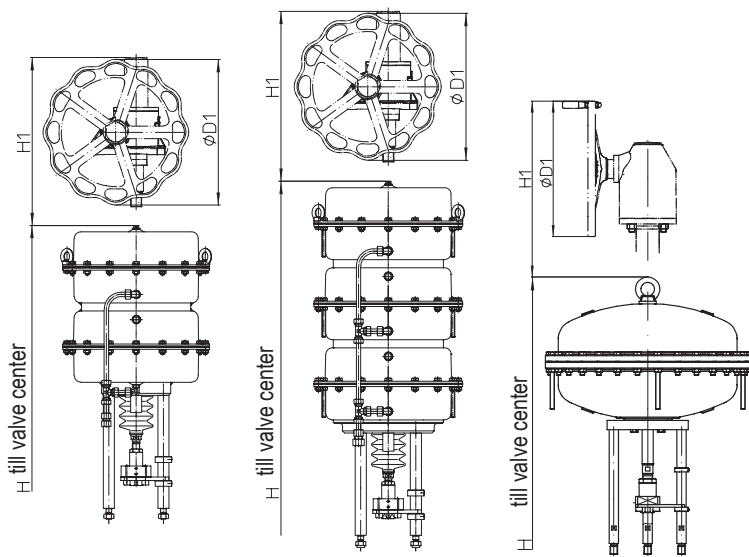


Fig. 426



Top mounted handwheel		DP34	DP34T	DP34Tri
Antrieb				
Ø D1	(mm)	400	400	400
H1	(mm)	470	635	635
Weight	(kg)	17	41	71

Technical data for actuator refer to data sheet DP32-35.

Dimensions and weights

DN			300	350	400	500		
L		(mm)	850	980	1100	1350 ¹⁾		
DP34	Ø A	(mm)	405					
		Fig. 425	H	(mm)	956	1013	--	--
			PN16	(kg)	411	--	--	--
	Fig. 426	PN25/40	(kg)	467	608	--	--	
		H	(mm)	1584	1642	--	--	
			PN16	(kg)	503	--	--	--
Fig. 426	PN25/40	(kg)	557	695	--	--		
	DP34T							
DP34T	Ø A	(mm)	405					
		Fig. 425	H	(mm)	1214	1271	--	--
			PN16	(kg)	482	--	--	--
	PN25/40		(kg)	538	679	--	--	
	Fig. 426	H	(mm)	1842	1900	--	--	
		PN16	(kg)	574	--	--	--	
		PN25/40	(kg)	628	766	--	--	
		Standard-flange dimensions refer to page 11.						
	¹⁾ acc. to manufacturers standard							

DN			300	350	400	500		
L		(mm)	850	980	1100	1350 ¹⁾		
DP34Tri	Ø A	(mm)	405					
		Fig. 425	H	(mm)	1436	1493	--	--
			PN16	(kg)	516	--	--	--
	Fig. 426	PN25/40	(kg)	572	713	--	--	
		H	(mm)	2064	2122	--	--	
			PN16	(kg)	608	--	--	--
Fig. 426	PN25/40	(kg)	662	800	--	--		
	DP35							
DP35	Ø A	(mm)	755					
		Fig. 425	H	(mm)	1395	1452	1469	1576
			PN16	(kg)	681	--	--	--
	PN25/40		(kg)	737	878	1136	1532	
	Fig. 426	H	(mm)	2023	2081	2100	2198	
		PN16	(kg)	773	--	--	--	
		PN25/40	(kg)	827	965	1196	1602	
		Standard-flange dimensions refer to page 11.						
	¹⁾ acc. to manufacturers standard							

Face-to-face dimension FTF series 1 according to DIN EN 558

Parts

Pos.	Description	Fig. 12.425 / 12.426	Fig. 22.425 / 22.426	Fig. 34.425 / 34.426 Fig. 35.425 / 35.426
1	Body	EN-GJL-250, EN-JL1040	EN-GJS-400-18U-LT, EN-JS1049	GP240GH+N, 1.0619+N
1.2	Seat	X20Cr13+QT, 1.4021+QT		G19 9 Nb Si, 1.4551
3	Plug *	P265GH, 1.0425 + S235JR, 1.0037 / G19 9 Nb Si, 1.4551		
4	Straight pin *	X12CrNi17-7, 1.4310		
5	Stem *	X20Cr13+QT, 1.4021+QT		
7	Stuffing box housing	P265GH, 1.0425 + S235JR, 1.0037		
8	Guide bushing	X20Cr13+QT, 1.4021+QT		
9	Gasket *	Pure graphite (CrNi laminated with graphite)		
10	Studs	25CrMo4, 1.7218		
11	Hexagon nuts	C35E, 1.1181		
12	Packing ring *	PTFE or Pure graphite		
14	Washer *	X5CrNi18-10, 1.4301		
15	Packing follower *	X20Cr13+QT, 1.4021+QT		
16	Packing box flange	X20Cr13+QT, 1.4021+QT		
17	Studs	25CrMo4, 1.7218		
18	Hexagon nuts	C35E, 1.1181		
20.1	Bellows housing	P265GH, 1.0425 / P235GH-TC1, 1.0345		
20.3	Stem- / Bellows unit *	X20Cr13+QT, 1.4021+QT / X6CrNiTi18-10, 1.4541		
20.6	Gasket *	Pure graphite (CrNi laminated with graphite)		
20.7	Studs	25CrMo4, 1.7218		
20.8	Hexagon nuts	C35E, 1.1181		
20.10	Packing ring *	PTFE or Pure graphite		
20.11	Packing ring *	PTFE or Pure graphite		
20.12	Washer *	X5CrNi18-10, 1.4301		
20.13	Stuffing box housing	P250 GH, 1.0460		
20.28	Studs	A4-70		
20.29	Hexagon nuts	A4		
20.30	Packing follower *	X20Cr13+QT, 1.4021+QT		
20.31	Packing box flange	X20Cr13+QT, 1.4021+QT		
33	Flange	P265GH, 1.0425		
34	Studs	25CrMo4, 1.7218		
35	Hexagon nuts	C35E, 1.1181		
38	Hexagon socket head screw	A2-70		
39	Gasket *	Pure graphite (CrNi laminated with graphite)		

* Spare parts

Information / restriction of technical rules need to be observed!

ARI-Valves of EN-JL1040 are not allowed to be operated in systems acc. to TRD 110.

A production allowance acc. to TRB 801 No. 45 exists (acc. to TRB 801 No. 45 EN-JL1040 is not allowed.)

The engineer, designing a system or a plant, is responsible for the selection of the correct valve.

max. permissible closing pressures on flow-to-open P2 = 0
 Observe restrictions by Pressure-temperature-ratings, refer to page 11.

DN		300			350			400			500		
Reduced Kvs-values ³⁾	Seat-Ø (mm)	200	250	301	250	301	351	301	651	380	351	380	480
	Kvs-value	630	1000	1500	1000	1500	1800	1500	1800	2500	1800	2500	4000
	Travel (mm)	65	65	90	65	90	120	90	120	120	120	120	120
Max. differential pressure drop (bar)	V-port plug	14	14	12	14	12	12	12	12	12	12	12	10

Spring closes

Actuator	Spring range (bar)	Air supply pressure min. (bar)	Closing pressure (bar)													
			2,3	I./II./III.	1,7	1,0		1,0								
DP 34	1,0 - 2,0		2,3	I./II./III.	1,7	1,0		1,0								
	2,0 - 4,0		4,5	I./II./III.	4,1	2,6		2,6								
DP 34 T	0,4 - 1,2		1,7	I./II./III.	1,2											
	1,0 - 2,0		2,5	I./II./III.	4,1	2,6		2,6								
DP 34 Tri	2,0 - 4,0		4,5	I./II./III.	9	5,7		5,7								
	0,4 - 1,2		1,7	I./II./III.	2,1 a)	1,3 a)		1,3 a)								
DP 35	1,0 - 2,0		2,5	I./II./III.	6,6 a)	4,1 a)		4,1 a)								
	2,0 - 4,0		4,5	I./II./III.	14 a)	8,9 a)		8,9 a)								
	1,8 - 3,8		4,3	I./II./III.	23	14,7	7,8	14,7	7,8	4,3	7,8	4,3	3,6	4,3	3,6	2,2

I. Fig. 425: EPDM-stem sealing; II. Fig. 425: PTFE-/ Pure graphite-packing; III. Fig. 426: Bellows seal
 Air supply pressure max. of pneumatic actuators DP: max. permissible 6 bar (DP34Tri: max. permissible 5 bar)
 Air supply pressure max. limit of control valve: max. permissible a) 5 bar b) 4,5 bar c) 4 bar d) 3,5 bar e) 3 bar f) 2,5 bar

Spring opens on air failure

Actuator	Air supply pressure min. (bar)	Closing pressure (bar)													
		2	I./II./III.	1,7	1										
DP 34	2		I./II./III.	1,7	1										
	3		I./II./III.	4,1	2,6										
	4		I./II./III.	6,6	4,1										
	5		I./II./III.	9	5,7										
	6		I./II./III.	11,5	7,3										
DP 34 T	1,5		I./II./III.	1,7	1										
	2		I./II./III.	4,1	2,6										
	3		I./II./III.	9	5,7										
	4		I./II./III.	14	8,9										
	5		I./II./III.	18,9	12										
DP 35	6 ⁴⁾		I./II./III.	23,8	15,2										
	1,5		I./II./III.	3,9	2,4		2,4								
	2		I./II./III.	8,3	5,3	2,5	5,3	2,5	1,3	2,5	1,3	1,1	1,3	1,1	
	3		I./II./III.	17,1	10,9	6,2	10,9	6,3	4,1	6,3	4,1	3,4	4,1	3,4	2,1
	4		I./II./III.	25,9	16,5	10	16,5	10	6,9	10	6,9	5,8	6,9	5,8	3,6
	5		I./II./III.	34,7	22,2	13,8	22,2	13,8	9,6	13,8	9,6	8,2	9,6	8,2	5,1
6		I./II./III.	40	27,8	17,5	27,8	17,5	12,4	17,5	12,4	10,6	12,4	10,6	6,6	

I. Fig. 425: EPDM-stem sealing; II. Fig. 425: PTFE-/ Pure graphite-packing; III. Fig. 426: Bellows seal
 Air supply pressure max. of pneumatic actuators DP: max. permissible 6 bar (DP34Tri: max. permissible 5 bar)
 Air supply pressure max. limit of control valve: max. permissible a) 5 bar b) 4,5 bar c) 4 bar d) 3,5 bar e) 3 bar f) 2,5 bar

³⁾ Not for perforated plug (presentation ref. to page 12) acc. to Selection STEVI, refer to techn. annex.
⁴⁾ Actuator: strengthened design..

Standard-flange dimensions

Flanges acc. to DIN EN 1092-1/-2 (Flangeholes / -thickness tolerances acc. to DIN 2533/2544/2545)

DN			300	350	400	500
PN16	ØD	(mm)	460	520	580	715
	ØK	(mm)	410	470	525	650
	n x Ød	(mm)	12 x 26	16 x 26	16 x 30	20 x 33
PN25	ØD	(mm)	485	555	620	730
	ØK	(mm)	430	490	550	660
	n x Ød	(mm)	16 x 30	16 x 33	16 x 36	20 x 36
PN40	ØD	(mm)	515	580	660	755
	ØK	(mm)	450	510	585	670
	n x Ød	(mm)	16 x 33	16 x 36	16 x 39	20 x 42

Pressure-temperature-ratings acc. to DIN EN 1092-2

Material			-60°C to <-10°C*	-10°C to 120°C	150°C	200°C	250°C	300°C	350°C	400°C	450°C
EN-JL1040	16	(bar)	--	16	14,4	12,8	11,2	9,6	--	--	--
EN-JS1049	16	(bar)	on request	16	15,5	14,7	13,9	12,8	11,2	--	--

Pressure-temperature-ratings acc. to manufacturers standard

Material			-60°C to <-10°C*	-10°C to 120°C	150°C	200°C	250°C	300°C	350°C	400°C	450°C
1.0619+N	25	(bar)	18,7	25	23,9	22	20	17,2	16	14,8	8,2
1.0619+N	40	(bar)	30	40	38,1	35	32	28	25,7	23,8	13,1

Intermediate values for max. permissible operational pressures can be determined by linear interpolation of the given temperature / pressure chart.

* Valve with extended bonnet, studs and nuts made of A4-70 (at temperatures below -10°C)

Please indicate when ordering

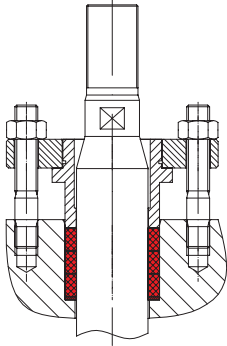
- Figure-No.
- Nominal diameter
- Nominal pressure
- Body material
- Plug design
- Kvs-value
- Flow characteristic
- Stem sealing
- Actuator
- Special design / accessories

Example:

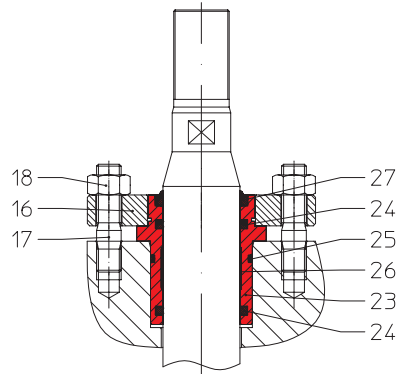
Figure 35.425; nominal diameter DN300; nominal pressure PN40; body material 1.0619+N; V-port plug; Kvs 1000; equal percentage; PTFE-packing; DP 34, spring closes on air failure, spring range 2.0 - 4.0 bar..

 Dimensions in mm
 Weights in kg
 Pressures in barg (gauge)
 1 bar $\hat{=}$ 10⁵ Pa $\hat{=}$ 0,1 MPa
 Kvs in m³/h

Stem sealing



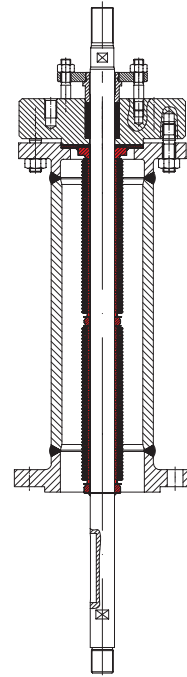
PTFE- / Pure graphite-packing



Pos.	Description	
16	Packing box flange	X20Cr13+QT, 1.4021+QT
17	Studs	25CrMo4, 1.7218
18	Hexagon nuts	C35E, 1.1181
23	Stem guiding *	X20Cr13+QT, 1.4021+QT
24	Sealing ring *	EPDM 70
25	O-ring	EPDM 70
26	Strip *	PTFE
27	Scraper *	NBR

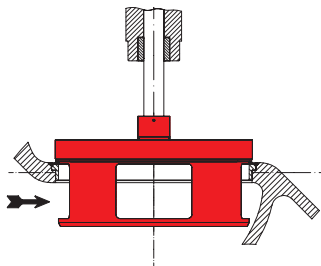
* Spare part

EPDM-stem sealing

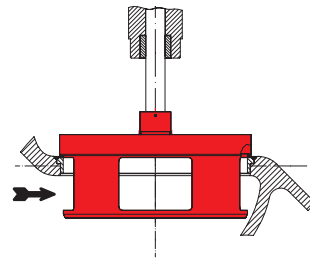


Bellows seal with safety stuffing box

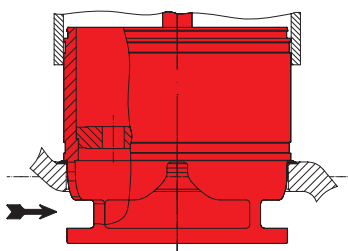
Plug designs



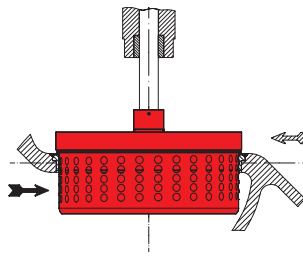
V-port plug with stem and port guiding (standard)



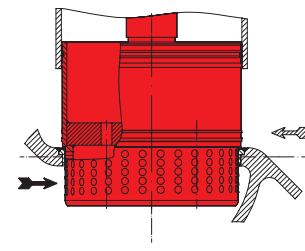
V-port plug with PTFE soft seal and stem and port guiding



V-port pressure balanced plug



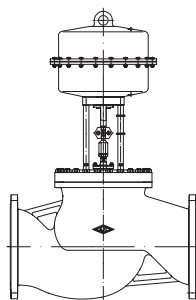
Perforated plug with Stem and port guiding



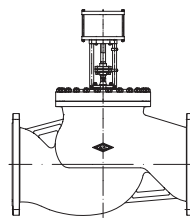
Perforated pressure balancing plug

➡ Flow direction for gas and steam to reduce the sound level
 ↗ Flow direction for liquids to reduce the cavitation

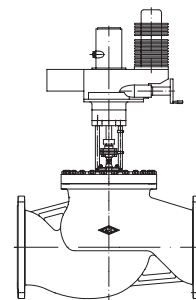
... also with other actuators: (on request)



with pneumatic actuators



with hydraulic actuators



with other electric actuators



Technology for the Future.
GERMAN QUALITY VALVES