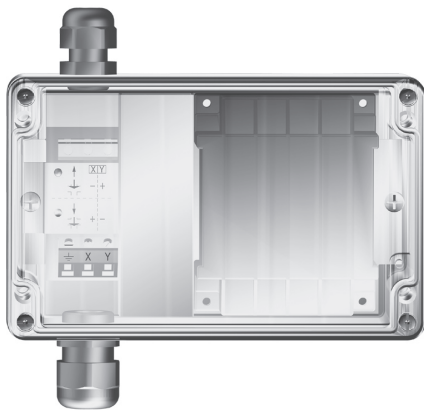
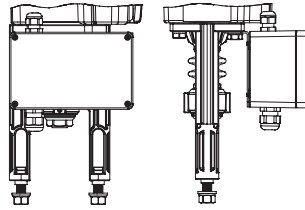


DC-Module ARI-PREMIO

DC-Module ARI-PREMIO Three-step converter

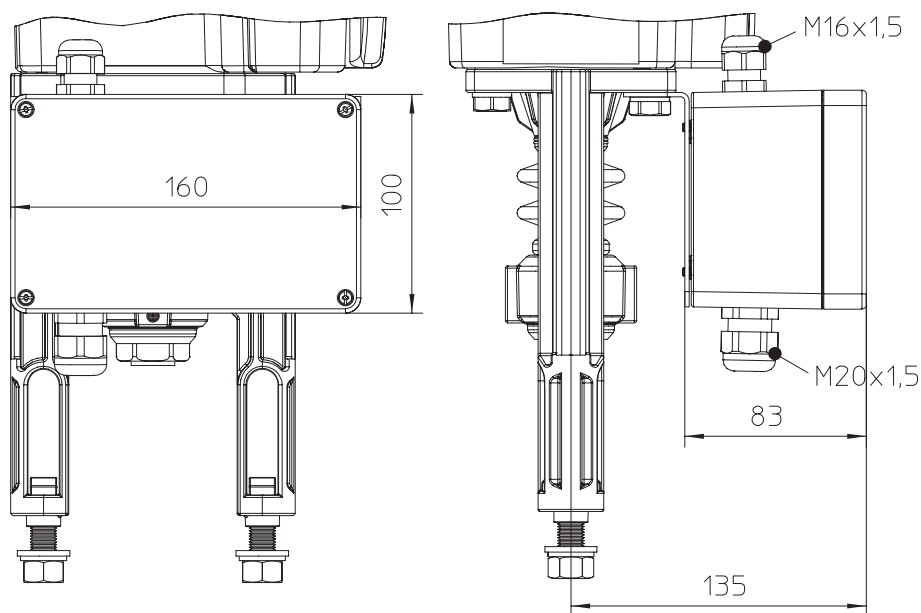
- to control ARI-PREMIO electric thrust actuators 230V 50Hz 2.2 kN to 5 kN with 24V DC voltage
- the DC module converts a 24V input DC voltage to a 230V 50Hz 3-step output signal depending on the polarity



Features

- 3-step converter for the conversion of a 24V input DC voltage to a 230V 50Hz 3-step output signal, for functions OPEN – STOP – SHUT
- Mounted to ARI-PREMIO or wall-mounted
- Simple 2-wire control
- Direction of rotation changed simply by changing polarity
- Electronics built into sturdy protective housing
- Optional use of positioner ES11 and position indicator RI21
- Can be retrofitted to ARI-PREMIO 230V 50Hz thrust actuator

DC-Module ARI-PREMIO 2,2 - 5 kN



Type	DC-Module	
Supply voltage	V	24V DC voltage, +10%/-10% (smoothed)
Current consumption	A	1 - 5 A (5 A at full load), appr. 0,5 A at no load
Operating mode DIN VDE 0530		S1 - 100% Duty cycle
Output voltage	V	230V (at no load >230V AC)
Output frequency	Hz	50Hz
Power consumption	VA	65 VA
Enclosure DIN VDE 0470		IP 65
Max. permissible ambient temperature	°C	-20°C ... +70°C
Weight	kg	2 kg
Dimensions DC-Module (BxHxT)	mm	160 x 100 x 83 (excl. mounting plate and screw connections)

Connection / installation	DC-Module	
Electrical connection	By screw terminals max. 2,5 mm ² Ensure wire cross section is suitable, as there is a high voltage drop with long lines!	
Mounted to ARI-PREMIO thrust actuator	PREMIO 230V 50Hz 2,2 kN - 5 kN / 15 kN (max. 65 VA)	
ARI-PREMIO with electronic position controller ES11	with ES11 230V (as accessorie)	
ARI-PREMIO with electronic position indicator RI21	with RI21 230V (as accessorie) only in addition with ES11 (as accessorie) possible	
ARI-PREMIO with electronic position indicator RI32	with RI32 (as accessorie) only possible as two-wire connection in current loop	

Important note:

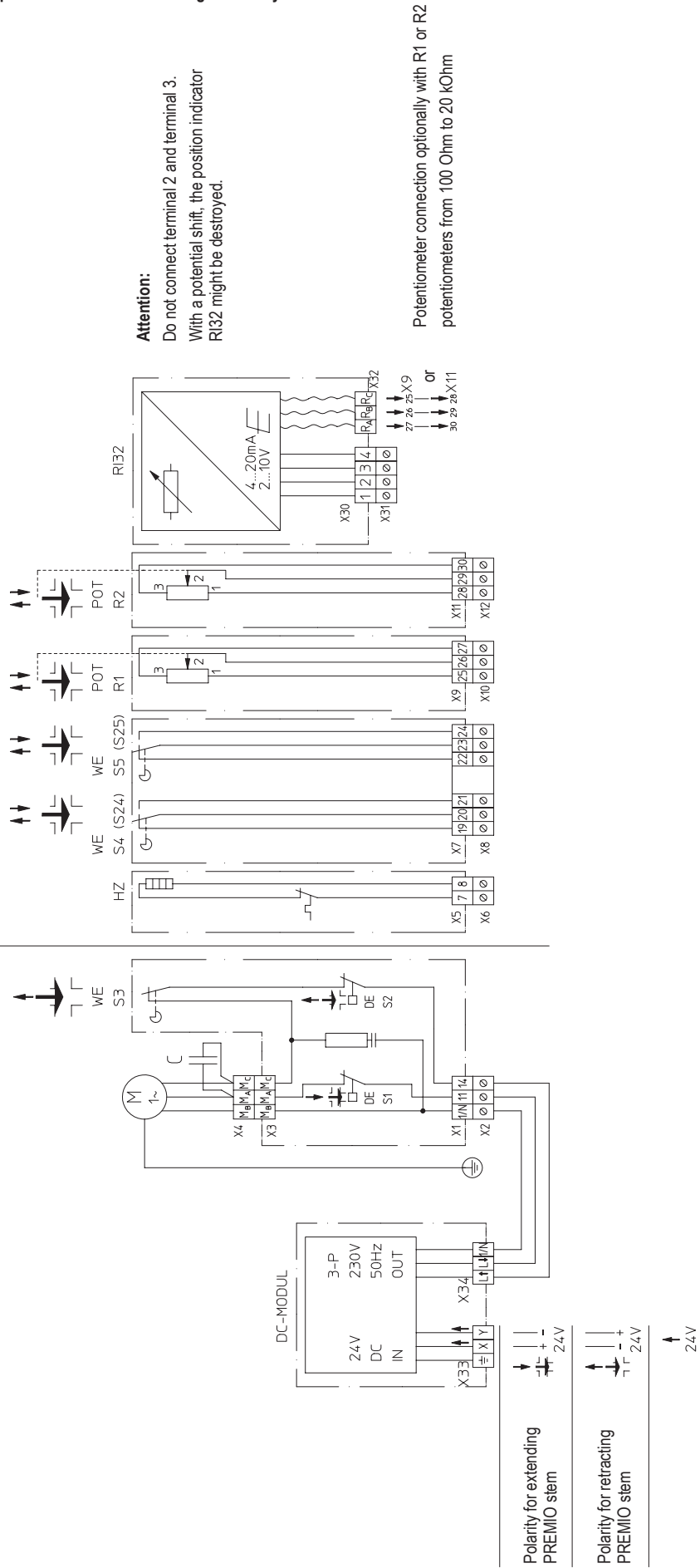
The DC module is only suitable for control of the 230V ARI-PREMIO thrust actuator at 24VDC (DC voltage).

Supply voltage 24V DC

Control 3-step control signal by changing polarity of the 24V DC voltage
Control signal output 2... 10V or 4... 20mA using accessory RI32

Accessories

ARI-PREMIO 2,2-5 kN, with DC-Module

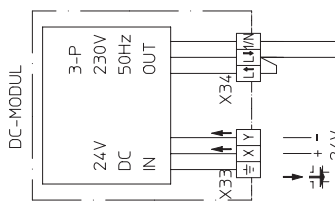
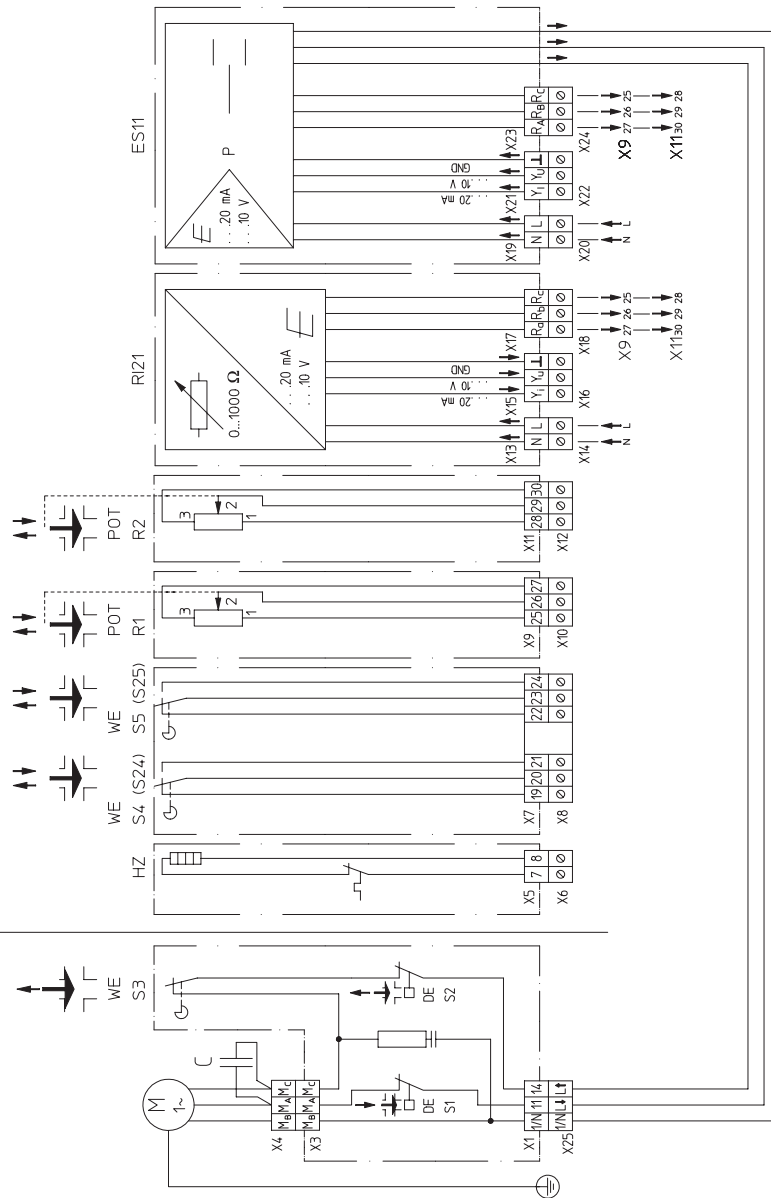


Supply voltage 24V DC

Control 0(2) ...10V or 0(4) ...20mA control signal using accessory ES11
 Control signal output 0(2) ... 10V or 0(4) ... 20mA using accessory RI32

Accessories

ARI-PREMIO 2,2-5 KN, with DC-Module



Polarity for extending
PREMIO stem

Polarity for retracting
PREMIO stem

to RI21
L N X14

to ES11
L N X20



Technology for the Future.
 GERMAN QUALITY VALVES

ARI-Armaturen Albert Richter GmbH & Co. KG, D-33756 Schloß Holte-Stukenbrock,

Tel. +49 52 07 / 994-0, Telefax +49 52 07 / 994-158 or 159 Internet: <http://www.ari-armaturen.com> E-mail: info.vertrieb@ari-armaturen.com