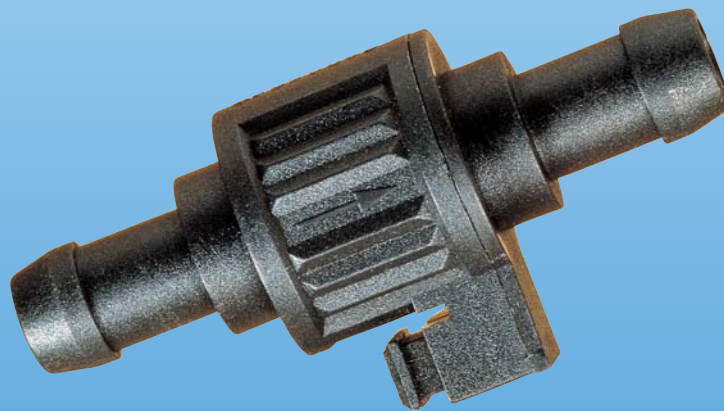


SFL HIGH PRECISION TURBINE FLOW SENSOR



Flow
Pressure
Level
Temperature
measurement
monitoring
control



- Flow Range 0.26-5.3 GPM Water
- Bearingless Turbine Design for Long Life
- All Plastic Wetted Parts
- Accuracy $\pm 1\%$ of Reading

S4



USA

KOBOLD Instruments Inc.
1801 Parkway View Drive
USA-Pittsburgh, PA 15205
☎ +1 412-788-2830
Fax +1 412-788-4890
E-mail: info@koboldusa.com



CANADA

KOBOLD Instruments Canada Inc.
9A Aviation
Pointe-Claire, QC H9R 4Z2
☎ +1 514-428-8090
Fax +1 514-428-8899
E-mail: kobold@kobold.ca

Visit KOBOLD Online at
www.kobold.com

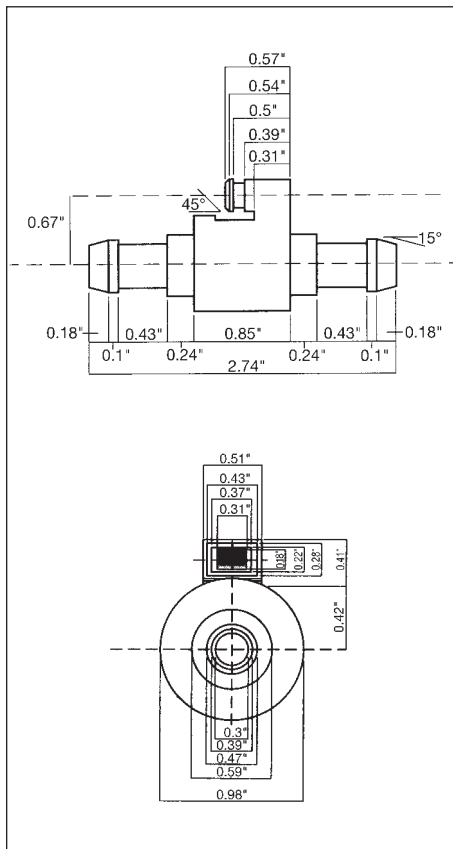
Model:
SFL



High precision at affordable pricing is the primary feature of KOBOLD's SFL turbine flow sensor. A bearingless design provides very high reliability. Add excellent corrosion resistance through exclusive use of PVDF and Vectra®, and the SFL becomes the undisputed winner in any cost/value analysis with competitive products!

The SFL makes accurate flow measurement of transparent liquid media possible over a wide range of flowrates. A low friction design offers very high turn-down across the entire sensor line (20:1 typical.) This high turndown enables the use of a single sensor in situations where two of a lesser product are needed... an excellent value made possible by the SFL's superb precision of ± 1% of rate.

The SFL comes standard with 3/8" threaded fittings (hose-barbs are available.) The unit's compact size makes it an ideal candidate for jobs in which space is at a premium. The list of applications suitable for this sensor is endless... call us and let's discuss yours.



Specifications

Accuracy: ± 1% of Flow Rate

Media Requirements

- Type:** Clear Liquids
IR Transmitting
- Viscosity:** 0.8–10 cSt
- Filtration:** 200 µm

Fittings

- Standard:** 3/8" bsp
- Optional:** 3/8" hose barb

Temp. Range: 0 to 212 °F

Max. Pressure: 580 PSIG

Wetted Parts: PVDF, Vectra®¹

Electrical Specifications

Power

- Standard:** 5 to 12 VDC
- Modifiable:** 12–24 VDC with 900 Ω Resistor

Current Draw: 36 mA max.

Output Signal: NPN

- Open Collector
- Requires pull-up

Connection: 12" of 3-wire flat cable

Protection: NEMA 4X

¹ Vectra® is a registered trademark of Hoechst-Celanese Inc.

SFL Ordering Information

Range GPM	Maximum Δ P (PSI)	Frequency at Max Flow (Hz)	Model Number	Optional 3/8" Hose Barb Fittings
0.26–5.3	29	2010	SFL-1120	Add Suffix »-S«