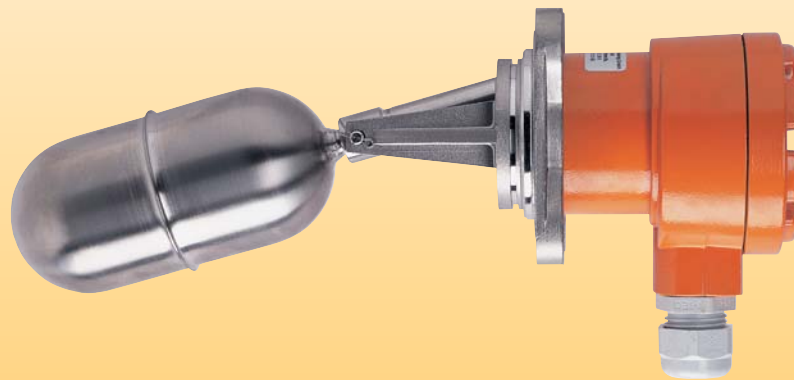


# NGS HEAVY DUTY LEVEL SWITCH



Flow  
Pressure  
Level  
Temperature  
measurement  
monitoring  
control

N1



- **Maximum Temperature 480°F**
- **Maximum Pressure 360 PSIG**
- **High Capacity 10 Amp Switch**
- **All Wetted Parts of 316 SS**
- **All Metal Design Ideal for Harsh Environments**



## USA

KOBOLD Instruments Inc.  
1801 Parkway View Drive  
USA-Pittsburgh, PA 15205  
☎ +1 412-788-2830  
Fax +1 412-788-4890  
E-mail: info@koboldusa.com



## CANADA

KOBOLD Instruments Canada Inc.  
9A Aviation  
Pointe-Claire, QC H9R 4Z2  
☎ +1 514-428-8090  
Fax +1 514-428-8899  
E-mail: kobold@kobold.ca

Visit KOBOLD Online at  
[www.kobold.com](http://www.kobold.com)

Model:  
NGS

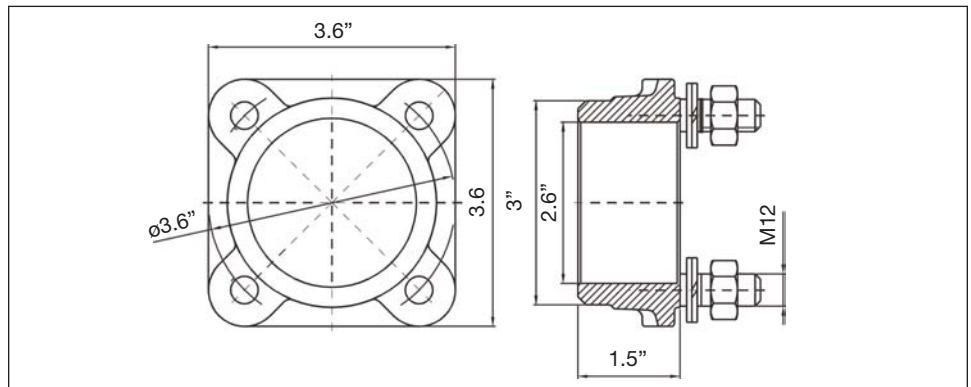
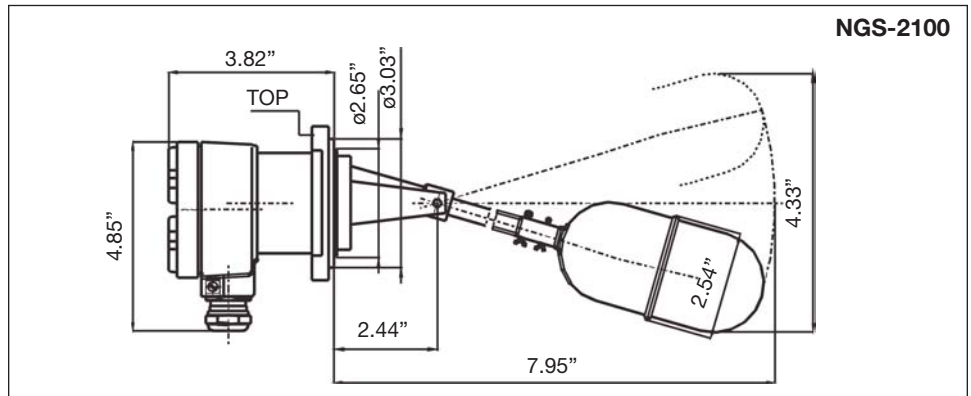
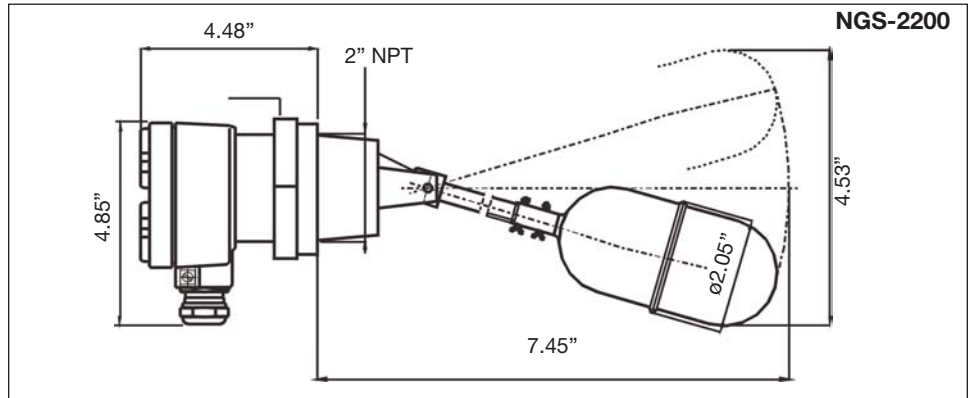
**Features**

- Maximum Temperature 480°F
- Maximum Pressure 360 PSIG
- High Capacity 10 Amp Switch
- All Wetted Parts of 316 Stainless Steel
- All Metal Design Ideal for Harsh Environments

The NGS series is hands down one of the toughest level switches on the market. The float and all other wetted parts are made of 316 stainless steel. The switch mechanism is activated by a permanent magnet external to the switch housing so that no penetrations exist between the process and the switch internals. This mode of operation results in a very reliable switch which requires no external power to operate. The high capacity 10 amp switch will handle most electrical loads such as relays, solenoid valves and motor starters directly.

**Specifications**

- Maximum Temperature:** 480 °F  
**Maximum Pressure:** 360 PSIG  
**Min. Liquid Specific Gravity:** 0.7  
**Wetted Parts:** 316 SS  
**Housing Material:** Aluminum, epoxy coated  
**Fittings:** Square flange or 2" NPT  
 Note: mating flange sold as accessory  
**Switch Type:** Microswitch SPDT  
**Switch Rating:** 10 amp @ 250 VAC  
 0.6 amp @ 220 VDC  
**Switch Hysteresis:** Approx. 3/4"  
**Electrical Connection Standard:** Cable gland PG 13.5  
**Optional:** 1/2" NPT conduit  
**Electrical Protection:** NEMA 4/IP65  
**Shipping Weight:** Approx. 7.5 lbs.



**NGS Ordering Codes**

Fitting Style	Model Number	Options
Square Flange	<b>NGS-2100</b>	C = 1/2 NPT Conduit Connection
2" NPT	<b>NGS-2200</b>	
<b>Accessories</b>		
Part Number	Description	
<b>NGS-MFF1</b>	Carbon steel mating flange for NGS-2100	
<b>NGS-MFF2</b>	316 Stainless steel mating flange for NGS-2100	