

Features

- SS Design for High Corrosion Resistance
- Suitable for Highly Viscous Media
- Tolerates Crystal Formation
- Durable Diaphragm Element
- Optional Glycerin Filled Indicator

KOBOLD's DPF76 pressure gauges feature stainless steel construction for superb chemical and corrosion resistance for all your intermediate pressure applications.

Glycerin filling is available.

Specifications

Ranges: -14.7 to 300 PSIG
(see table)

Over Pressure Protection
Momentary: x 1.3 range max.

Sensing Element: diaphragm

Accuracy: ±1.6% of full scale

Operating Temperature
Medium: freezing to 180°F
Ambient: freezing to 140°F

Fittings: 1/2" NPT

Materials of Construction

- Wetted Parts:**
- Element:** SS (Duatherm 600)
 - Fitting:** 316 Ti & 304 SS
- Exterior**
- Movement:** Stainless steel
 - Housing:** 304 SS or aluminum
 - Bezel:** 304 SS
 - Pointer:** Black aluminum
 - Indicator Dial:** White aluminum
 - Gauge Window:** Safety glass

Options: Glycerin damped indicator assembly

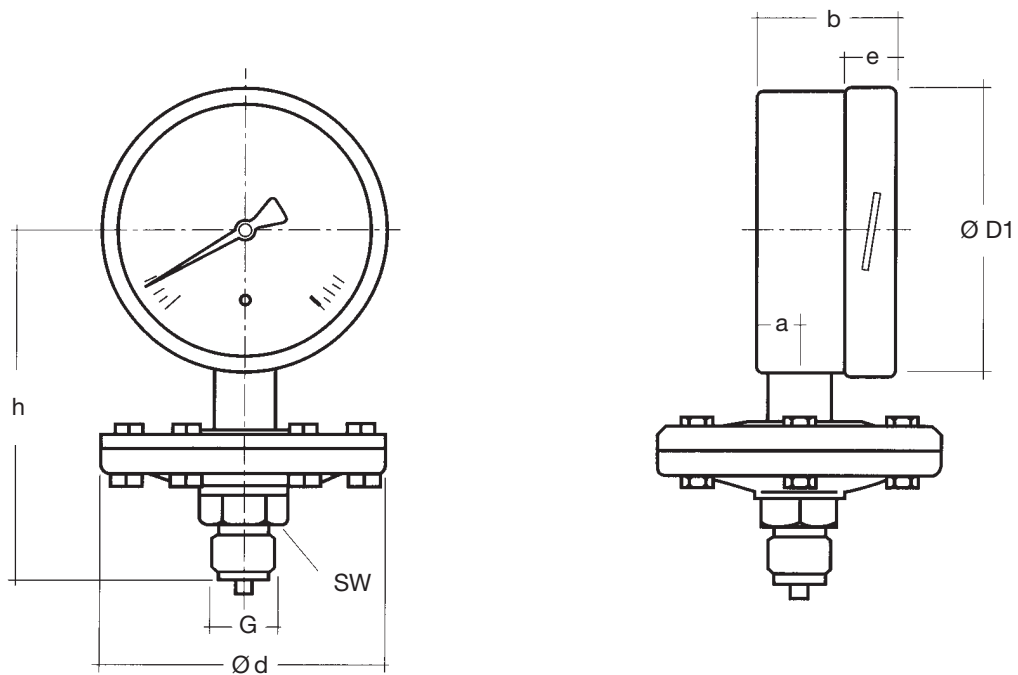


P1

KOBOLD DPF76 Pressure Gauge

DPF76 Ordering Information			
DPF76	= Diaphragm Pressure Gauge for Intermediate Pressures		
-1	= 100 mm (4 inch) Dial Face, with Stainless Steel Housing		
-2	= 160 mm (6 inch) Dial Face, with Aluminum Housing		
Range	= Pressure Range Abbreviation	Available Measuring Ranges	
H00	= -30" to 0" Hg	130 = 30 PSIG	210 = 100 PSIG
115	= 15 PSIG	160 = 60 PSIG	220 = 200 PSIG
		216 = 160 PSIG	230 = 300 PSIG
F	= Glycerin damped indicator assembly		Options
DPF76	-2	130	F
Sample DPF76 Specification			

Dimensions



Dial Face	Dimensions (mm)								Weight (lbs)
	Ø d	a	b	Ø D1	e	G	h±2	SW	
4 inch	100	15.5	50	100	17.5	1/2" NPT	125	(27) 22	2.1
6 inch	100	15.5	50	160	17.5	1/2" NPT	175	(27) 22	3.0