

Model: PDL-0...



- Switching range:
0.1 ... 1 to 60 ... 600 bar
- Temperature:
max. 80 °C
- Repeatability:
≤ 1 % of F. S.
- Material: Brass
- Connection:
G 1/4, 1/4 NPT

Model: PDL-1...



KOBOLD offices exist in the following countries:

ARGENTINA, AUSTRIA, BELGIUM, BRAZIL, CANADA,
 CHINA, COLOMBIA, FRANCE, GREAT BRITAIN, NETHERLANDS,
 POLAND, SWITZERLAND, USA, VENEZUELA

KOBOLD Messring GmbH
 Nordring 22-24
 D-65719 Hofheim/Ts.
 ☎ (06192) 299-0
 Fax (06192) 23398
 E-mail: info.de@kobold.com
 Internet: www.kobold.com

Model:
 PDL-

Description

KOBOLD pressure meter/-monitor of model PDL are economical electronic pressure switches. The switch output can be adjusted on site with an adjusting screw.

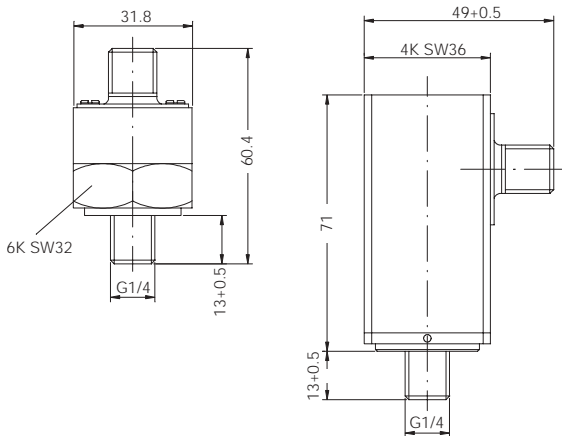
With help of an elastic spring measuring element and by usage of Hall effect, upto 2 switching outputs can be generated for a given pressure. The switching outputs can be delivered optionally with N/O or N/C function.

The small robust construction and different pressure connections make it an ideal unit for serial usage.

Dimensions

Model: PDL-0...

Model: PDL-1...



Applications

- Hydraulic and fluid systems
- Apparatus Manufacturing
- Machine Construction
- Refrigeration

Technical data

Housing:	PDL-0... : Brass PDL-1... : Aluminium, anodised
Upper part:	Plastic
Connections:	Standard: G 1/4 male, brass Option: 1/4 NPT, brass Others on client request
Measuring element:	PDL-0... : Capsule element, copper alloy PDL-1... : Spiral spring, st. steel 1.4571
Max. temperature:	Store: -30...+80 °C Medium: -20...+80 °C Environment: -20...+80 °C
Temperature comp. Range:	0...80 °C
Temperature influence:	0.4 % / 10K
Overload limit:	≤ 10 bar: 4 times ≥ 16 bar: 2 times
Load change:	1 x 10 ⁶
Electrical connection:	plug M12 x 1 (4-pole) Option: 1.5 m cable
Switching function:	N/C or N/O, p-switching
Adjustability:	10...100% of F.S.
Switch point adjustment:	with help of adjusting screw
Repeatability:	< 1 % of F.S.
Switching hysteresis:	≤ 10 % of F.S.
Power supply:	10...30 V _{DC}
Power rating:	max. 100 mA (max. 30 V _{DC})
Protection cat.:	IP 65 (IP 67 by cable output)

Ordering data (Example: PDL-0131 R2 B025)

Measuring range	Ordering code 1 N/O G 1/4, plug	Ordering code 2 N/O G 1/4, plug
0.1 to 1 bar	PDL-0131 R2 B025	PDL-0132 R2 B025
0.16 to 1.6 bar	PDL-0131 R2 B035	PDL-0132 R2 B035
0.25 to 2.5 bar	PDL-0131 R2 B045	PDL-0132 R2 B045
0.4 to 4 bar	PDL-0131 R2 B055	PDL-0132 R2 B055
0.6 to 6 bar	PDL-0131 R2 B065	PDL-0132 R2 B065
1 to 10 bar	PDL-0131 R2 B075	PDL-0132 R2 B075
1.6 to 16 bar	PDL-0131 R2 B085	PDL-0132 R2 B085
2.5 to 25 bar	PDL-0131 R2 A095	PDL-0132 R2 A095
6 to 60 bar	PDL-1131 R2 A115	PDL-1132 R2 A105
10 to 100 bar	PDL-1131 R2 A125	PDL-1132 R2 A115
16 to 160 bar	PDL-1131 R2 A135	PDL-1132 R2 A125
25 to 250 bar	PDL-1131 R2 A145	PDL-1132 R2 A135
40 to 400 bar	PDL-1131 R2 A155	PDL-1132 R2 A145
60 to 600 bar	PDL-1131 R2 A165	PDL-1132 R2 A155

Measuring range	Ordering code 1 N/C G 1/4, plug	Ordering code 2 N/C G 1/4, plug
0.1 to 1 bar	PDL-0133 R2 B025	PDL-0134 R2 B025
0.16 to 1.6 bar	PDL-0133 R2 B035	PDL-0134 R2 B035
0.25 to 2.5 bar	PDL-0133 R2 B045	PDL-0134 R2 B045
0.4 to 4 bar	PDL-0133 R2 B055	PDL-0134 R2 B055
0.6 to 6 bar	PDL-0133 R2 B065	PDL-0134 R2 B065
1 to 10 bar	PDL-0133 R2 B075	PDL-0134 R2 B075
1.6 to 16 bar	PDL-0133 R2 B085	PDL-0134 R2 B085
2.5 to 25 bar	PDL-0133 R2 A095	PDL-0134 R2 A095
6 to 60 bar	PDL-1133 R2 A115	PDL-1134 R2 A105
10 to 100 bar	PDL-1133 R2 A125	PDL-1134 R2 A115
16 to 160 bar	PDL-1133 R2 A135	PDL-1134 R2 A125
25 to 250 bar	PDL-1133 R2 A145	PDL-1134 R2 A135
40 to 400 bar	PDL-1133 R2 A155	PDL-1134 R2 A145
60 to 600 bar	PDL-1133 R2 A165	PDL-1134 R2 A155