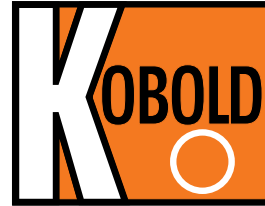


TMA SERIES TEMPERATURE TRANSMITTERS



Flow
Pressure
Level
Temperature
measurement
monitoring
control



- High Accuracy
- 4-20 mA Loop Powered
- Rugged, All 316 SS Construction
- -200 to 600°C Temperature Range
- Custom Designs Available
- Accessible Zero & Span

T2



USA

KOBOLD Instruments Inc.
1801 Parkway View Drive
USA-Pittsburgh, PA 15205
☎ +1 412-788-2830
Fax +1 412-788-4890
E-mail: info@koboldusa.com



CANADA

KOBOLD Instruments Canada Inc.
9A Aviation
Pointe-Claire, QC H9R 4Z2
☎ +1 514-428-8090
Fax +1 514-428-8899
E-mail: kobold@kobold.ca

Visit KOBOLD Online at
www.kobold.com

Model:
TMA



Features

- High accuracy
- 4-20 mA loop powered
- Rugged, all 316 SS construction
- -200 to 600°C temperature range
- Custom designs available
- Accessible zero & span

KOBOLD TMA temperature sensor employs a Pt100 class B resistive temperature detector (RTD) combined with an integrated loop powered 4-20 mA output transmitter. Optional digital indicator, model AUF, plugs directly to the Hirschmann (DIN 43650) plug. This sensor is rugged and all 316 SS construction. Fittings, 1/4" and 1/2" NPT welded to tube, are available for mounting purposes. An adjustable bore-through compression fitting option is also available. This allows for easy adjustment of desired immersion depth. The unit is factory calibrated to customer temperature requirements. Re-calibration via zero and span potentiometers, at the connector, is possible.

Temperature Specifications

Temperature Sensor

Operating Temperature: -200 to +600°C (-328°F to +1112°F)

Ambient Operating Temperature Range:

-40°C to +70°C (-40°F to +158°F)

Sensing Element: Pt100 Class B per DIN 43670

Max. Pressure: 1450 PSIG

Wetted Parts: 316 SS

Fittings: 1/4", 1/2" NPT standard welded or adjustable

Connector: Hirschmann plug per (DIN 43650)

Electronic Data

Output: 4-20 mA, 2-wire

Supply Voltage: 12-36 VDC

Accuracy: 0.1 % of span

Zero/Span Drift: 0.025%/°F

Protection

Environmental: NEMA 4X/IP65

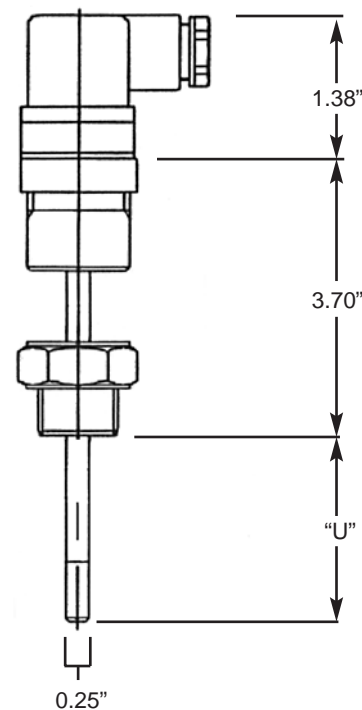
Fault: Reverse polarity protected

Digital Display:

See AUF Series



| Temperature Range | CODE xx |
|-----------------------------|---------|
| 0 to 50°C (32°F/122°F) | 05 |
| 0 to 100°C (32°F/212°F) | 10 |
| 0 to 150°C (32°F/302°F) | 15 |
| 0 to 200°C (32°F/392°F) | 20 |
| 0 to 400°C (32°F/752°F) | 40 |
| 0 to 600°C (32°F/1112°F) | 60 |
| -50 to 50°C (-58/122°F) | 55 |
| -50 to 150°C (-58/302°F) | 51 |
| -200 to 400°C (-328/752°F) | 24 |
| -200 to 600°C (-328/1112°F) | 26 |
| Custom (Specify range) | E |



Order Numbers for TMA Sensors

| U Dim. | 1/4 Welded | 1/2 Welded | 1/4 Adjustable | 1/2 Adjustable |
|--------|-----------------|-----------------|-----------------|-----------------|
| 2 1/2" | TMA-S2514F025xx | TMA-S2512F025xx | TMA-S2514A025xx | TMA-S2512A025xx |
| 4 " | TMA-S2514F040xx | TMA-S2512F040xx | TMA-S2514A040xx | TMA-S2512A040xx |
| 6" | TMA-S2514F060xx | TMA-S2512F060xx | TMA-S2514A060xx | TMA-S2512A060xx |
| 9" | TMA-S2514F090xx | TMA-S2512F090xx | TMA-S2514A090xx | TMA-S2512A090xx |
| 12" | TMA-S2514F120xx | TMA-S2512F120xx | TMA-S2514A120xx | TMA-S2512A120xx |

Example: TMA-S2514F02505 = 0-50°C Range, 1/4" NPT welded, 2-1/2" insertion