



MARSHALL ENGINEERED PRODUCTS CO.

FORM SSBT

STEAM SPECIALTIES

MODEL "OBHSS" SERIES

STAINLESS STEEL

INVERTED BUCKET STEAM TRAP -

Models OBHSS-1400/2400 (THD or SW)

Models OBHSS-UNIV400

Connectors OBHSS-12Conn (Thrd or SW)

OBHSS-34Conn (Thrd or SW)

APPLICATION

The MEPCO Stainless Steel Bucket Trap operates efficiently with pressures up to 400 psi and is applicable to all types of medium and high pressure steam systems. Its purpose is to efficiently drain condensate, vent air and prevent the flow of steam into the return piping. The Swivel Connector as found in the Model OBHSS-UNIV is designed to maintain the bucket in the proper plane. This trap is easily replaced or maintained without any disturbance to the piping connections. Typical Applications include: laundry equipment, main drip stations, and even hard to reach applications.

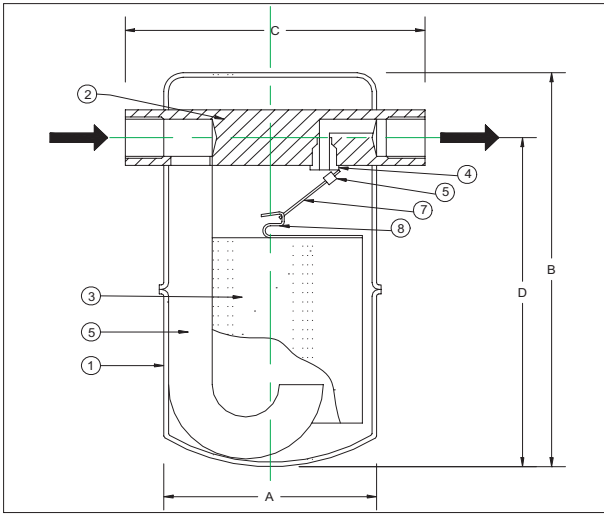


FEATURES & BENEFITS

FEATURES

1. Simple, rugged construction. Trap body and internals are made of 304 stainless steel. The valve and valve seat are manufactured with chrome steel to provide a long lasting seat. The trap construction is good for working pressures up to 400 psi, and temperatures up to 800 deg F.
2. The MEPCO Stainless Steel Bucket Trap has a weld-sealed body which is tamper-proof, maintenance-free, and protects against leakage, freezing conditions and waterhammer.
3. Unlike standard bucket traps, the MEPCO Stainless Steel bucket trap is self priming.

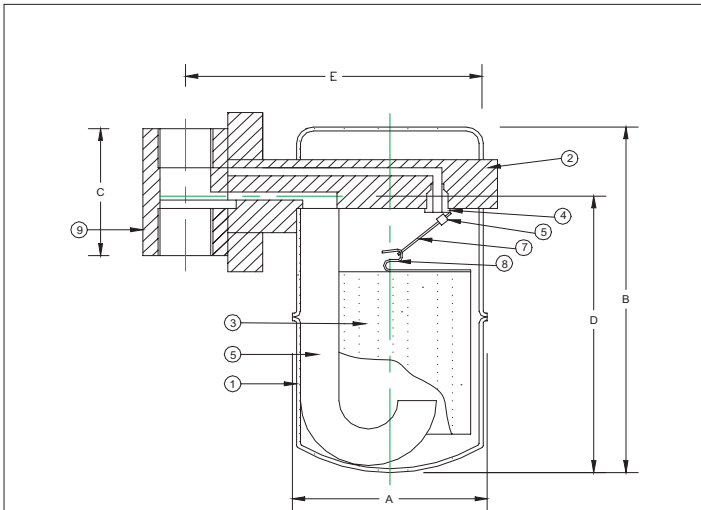
The OBHSS-UNIV Series MEPCO Stainless Steel Bucket Trap requires no additional piping in either plane. The swivel connector allows for the trap to be mounted in the vertical plane regardless to the plane of the piping. The OBHSS series trap is available in Socket Weld or Threaded connections for both the OBHSS-UNIV and OBHSS-1400/2400 series. **Swivel Connector sold separately.**



Model	Available Conn.Sizes	Max. Allowable Pressure	Max Allowable Temp (deg F)	Max Allowable Pressure (psi)
OBHSS-1200	1/2	400	800	200
OBHSS-1400	1/2	400	800	400
OBHSS-3400	3/4	400	800	400

ITEM	Part	Material
8.00	Bucket Clip	Stainless Steel
7.00	Lever	Stainless Steel
6.00	Inlet Tube	Stainless Steel
5.00	Valve	Chromium SS
4.00	Valve Seat	Chromium SS
3.00	Bucket	Stainless Steel
2.00	Connector	Stainless Steel
1.00	Body	Stainless Steel

Model	A (in)	B (in)	C (in)	D (in)	Weight (lbs)
OBHSS-1200	2.75	5.31	4.31	4.44	1.75
OBHSS-14/3400	2.75	6.56	4.31	5.56	2.25



Model	Max. Allowable Pressure	Max Allowable Temp (deg F)	Max Allowable Pressure (psi)
OBHSS-Univ	400	800	800

ITEM	Part	Material
9.00	Swivel Connector	
8.00	Bucket Clip	Stainless Steel
7.00	Lever	Stainless Steel
6.00	Inlet Tube	Stainless Steel
5.00	Valve	Chromium SS
4.00	Valve Seat	Chromium SS
3.00	Bucket	Stainless Steel
2.00	Shaft	Stainless Steel
1.00	Body	Stainless Steel

Model	A (in)	B (in)	C (in)	D (in)	Weight (lbs)
OBHSS-Univ	2.75	7.19	2.38	4.81	4.75

* Connector Shown in Drawing Sold Separately