

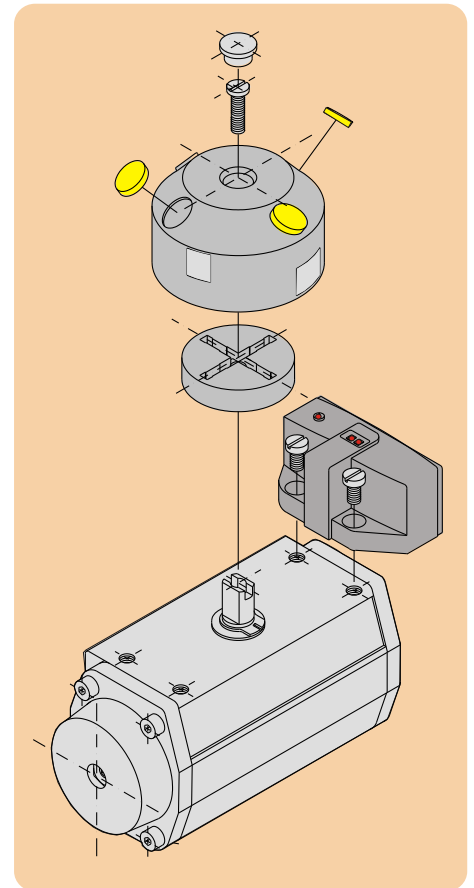
Compact Valve Position Monitoring and Built-in Solenoid Integration with EASY Connect For Your Valve Monitor Network

The SCOUT Valve Position Controller's approach to low profile position sensing is a millenium-sized advancement for the NAMUR style actuator market. Incorporating SCOUT VPCs advances your automated valves into the ASi and DeviceNet networking arena!



Features

- ▶ **ASi and DeviceNet modules are integral with the Sensor Block** and provide each automated valve with a unique address on the network.
- ▶ **Solid State Inductive Sensors** standard on SCOUT VPCs provide a virtually unlimited cycle life.
- ▶ **Fully Enclosed Sensor Electronics** with no exposed resins make the Scout the ideal choice for corrosive, humid or washdown environments.
- ▶ **Moniteur's optional EASYConnect solenoid mounting** allows solenoid power to be routed through the sensor block, making additional junction housings unnecessary.
- ▶ **Indicator LEDs located on the sensor block** clearly verify network, sensor, solenoid operation, and valve position operation locally.
- ▶ **Simple Installation** - The Position Transmitter target mounts directly to the NAMUR output shaft of your actuator, while the sensor block mounts to the actuator accessory mounting holes. No adjustment or calibration is required once the VPT has been installed.
- ▶ **A Full line of complementary cables and connectors** take the guesswork out of selecting the right accessories for your Scout.



Mounting

- ▶ The position indicator kit includes the target puck and all mounting hardware for actuators with NAMUR accessory mounting. See exploded diagram at right.
- ▶ Scout VPCs with EASYConnect include 18" flying leads and an optional DIN solenoid connector to complete your automated valve package.

Quick Selection Guide

Type	Part No.	Type	Part No.
ASi / M12 In		DeviceNet/ 5-pin Micro M12 In	
EASYConnect Out to Solenoid	SC-ACE	EASYConnect Out to Solenoid	SC-DCE
ASi / ASi Flat Cable In		DeviceNet/ DeviceNet Flat Cable In	
EASYConnect Out to Solenoid	SC-AFE	EASYConnect Out to Solenoid	SC-DFE

Remember to add the suffix denoting the desired NAMUR mounting pattern.

Intelligent Part Number System

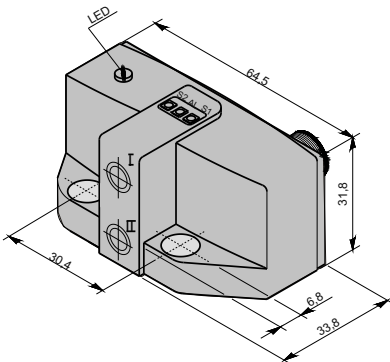


Base unit includes: Double Sensor Module Target For 80 x 30 Actuator
SS Mounting Hardware Male Connector According to Sensor Type

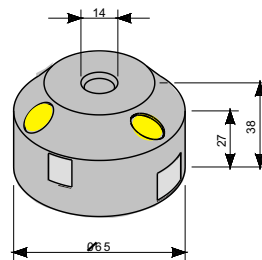
Description	Code	Description	Code	Description	Code
Series: Scout	SC	EASY IN:		Target	
Sensor Block		With Male Connector	C	80 x 30	1
ASi	A	Flat Cable Adapter	F	130 x 30	2
DeviceNet	D	(ASi/ DeviceNet only)		See Moniteur Scout	
		EASY OUT:		Mounting Selection	
		With EASYConnect	E	Guide	
		(18 in. Flying Leads			
		For Solenoid)			

Dimensions (mm)

Sensor Block



Target For 80 x 30 mm



Target For 130 x 30 mm

