

Optional Case Styles

All dimensions are nominal.
Dimensions in [] are in millimeters.

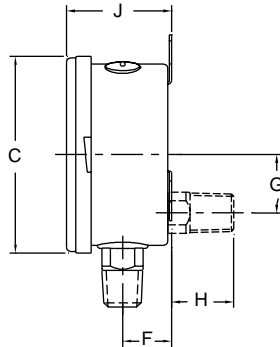
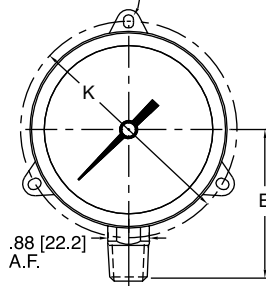
700 Series

Case Style	Dial Size		
	2 1/2"	4"	6"
Surface Mounted Case with Back Lugs, Lower Connection	N/A	SML	SML
Surface Mounted Case with Back Lugs, Back Connection	N/A	SMB	SMB
Flush Mounted Case with Front Flange, Back Connection	FMB	FMB	FMB
Flush Mounted Case with Front Flange, Lower Connection	N/A	FML	FML
Panel Mounted Case with U-Clamp, Back Connection	UCB	UCB	N/A

N/A = Not available. Please order using the code listed.

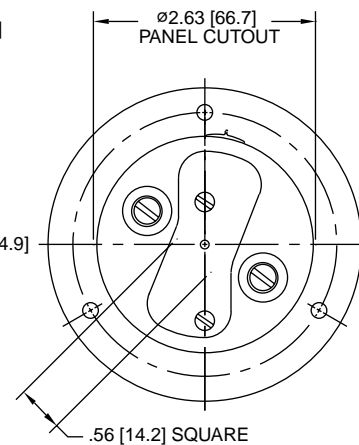
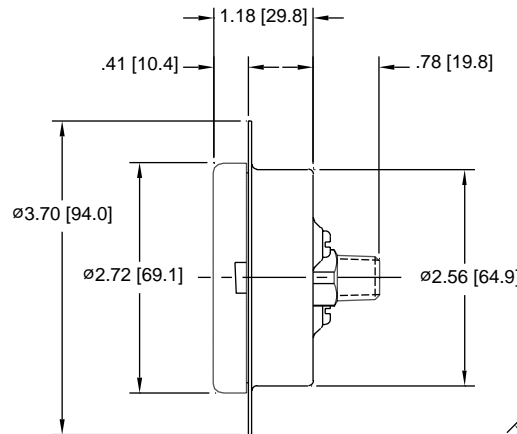
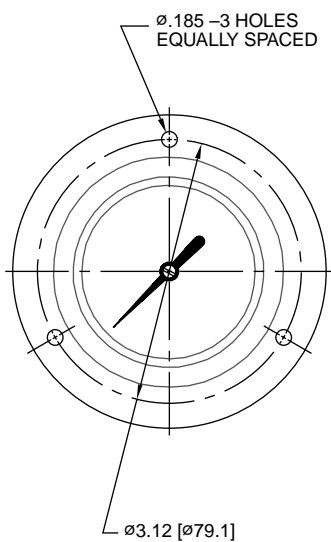
4" & 6" Surface Mount

.28 X .22 [7.1 X 5.6]
3 HOLES
EQUALLY SPACED



Dial Size	C	E	F	G	H	J	K
4"	4.18 [106]	3.16 [80]	1.04 [26]	1.24 [31]	1.32 [33]	2.23 [56]	4.60 [118]
6"	5.90 [150]	4.30 [109]	1.04 [26]	1.24 [31]	1.32 [33]	2.23 [56]	6.60 [168]

2 1/2" Front Flange



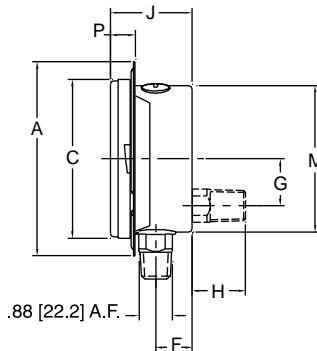
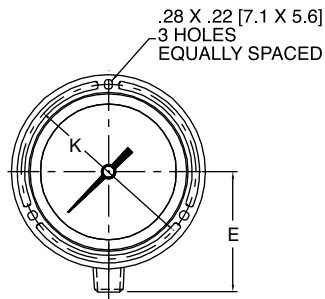
continued next page

Optional Case Styles

700 Series continued

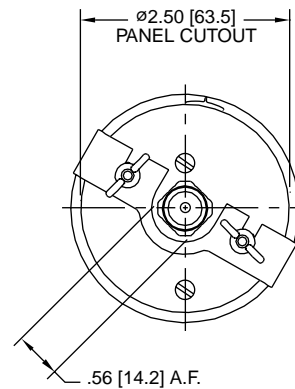
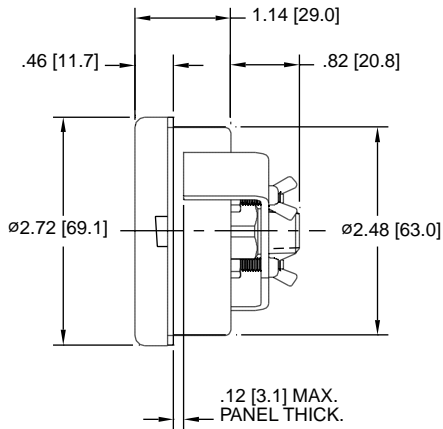
All dimensions are nominal.
Dimensions in [] are in millimeters.

4" & 6" Front Flange



Dial Size	A	C	E	F	G	H	J	K	M	P
4"	5.10 [130]	4.20 [106]	3.40 [86]	0.97 [24]	1.20 [30]	1.50 [39]	2.20 [56]	4.60 [118]	3.80 [98]	0.70 [17]
6"	7.00 [180]	5.90 [150]	4.30 [109]	0.97 [24]	1.20 [30]	1.50 [39]	2.20 [56]	6.60 [168]	5.60 [142]	0.70 [17]

2 1/2" U-Clamp



4" U-Clamp

