

New Design !



Series 83 - Electromni®

Specifications
Series 83: Motor Type - Unidirectional,
 Single phase
 Size - A83 1/2" - 2" valves
 Torque - 120 in-lbs
 Voltage - 120 VAC, 50/60 Hz
 Amp Draw - 2.1 Amps
 Temp - Ambient Temp - 150 F
 Switches - One single pole, Double
 throw [15 Amp rating]
 Corrosion/Weather proof -
 Type 4X

Standard Features (Sizes 1/2" – 2")

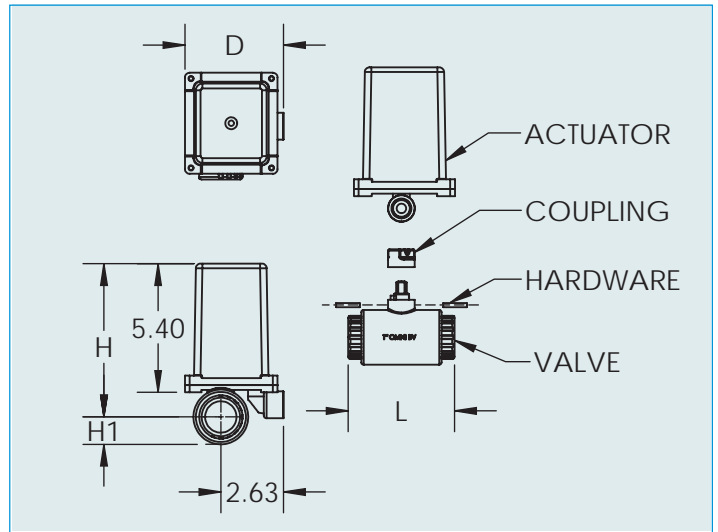
- PVC or CPVC Omni valve (All materials Type-21 or Type-23 ball valves up to 2")
- Standard models are 115 vac thermally protected with single limit switch cam/coupling activated
- Redesigned sealed weatherproof enclosure includes:
 - Flanged cover and base Type 4X rated enclosure with Nitrile flat gasket seal
 - Nitrile O-ring or gasket valve to actuator base seal
 - Nitrile motor mounting bolt seals
 - Redesigned NPT threaded to base 90° elbow provides 1/2" NPT conduit entry w/ 6" color coded wire leads
- Interated ISO mounting pattern baseplates [T-21 & T-23 models]
- Direct mounted valves no mounting bracket required
- Sealed 90° cable entry elbow
- Captivated stainless steel hex head slotted cover screws
- 1/4 turn 5 seconds cycle time uni-directional (120 & 220 vac) motors
- Compact and low profile, ideal for OEM type installations

Options

- Voltages: 220 vac, 12/24 vac, 12/24 vdc
- 2-wire control relay for retrofitting solenoid (Requires constant power and SPST dry contact switching)
- 1-additional limit switch for open/close position indication
- Amber/Green position indicating lights

Sample Specification

All open/close electrically actuated ball valves sizes 3/8" thru 2" shall have direct mounted unidirectional- 1/4 turn actuators (115 vac & 220 vac, 12/24 vac/vdc shall be reversing). Actuator shall be Type 4X design with gasket cover to base seal, captive cover screws, [1]1/2" NPT conduit fitting with wires protruding 6" for customer hook-up and O-ring or gasket to valve seal. A green wire lead shall be provided for grounding purposes. The actuators shall be factory equipped with Omni, Type-21 or Type-23 ball valves as manufactured by Asahi/America Inc.



Wt./Dimensions

NOMINAL SIZE	WT. (LBS.)	H	H1	L	D
3/8	1.75	5.93	.61	3.82	4.14
1/2	1.75	6.15	.94	4.06	4.14
3/4	2.00	6.35	1.16	4.45	4.14
1	2.50	6.36	1.15	5.00	4.14
1 1/2	3.00	6.75	1.45	5.94	4.14
2	4.00	7.04	1.74	6.97	4.37

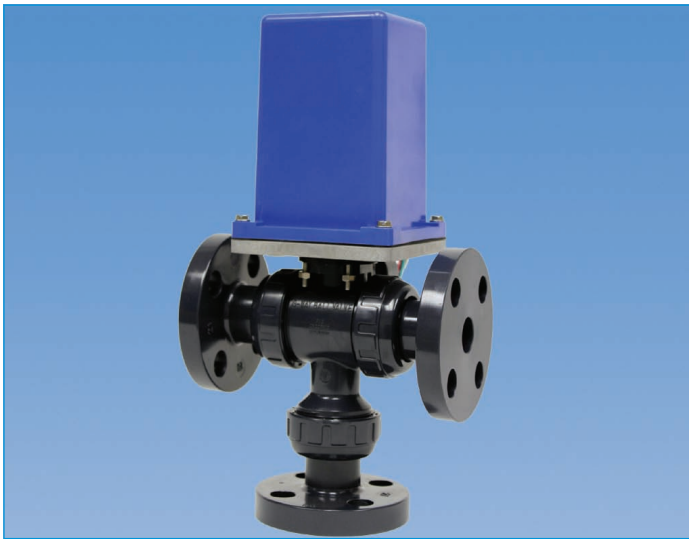
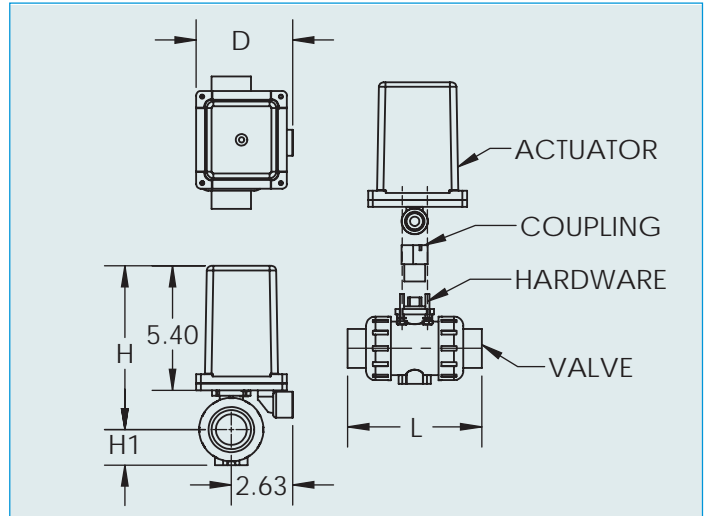
Voltage

Voltage	Current Draw (amps)	Cycle Time (sec)	Duty Cycle (%)
115 Vac	2.10	5	25
220 Vac	.60	5	25
12 Vac	2.25	5	75
24 Vac	4.00	5	75
12 Vdc	2.00	5	75
24 Vdc	3.50	5	75

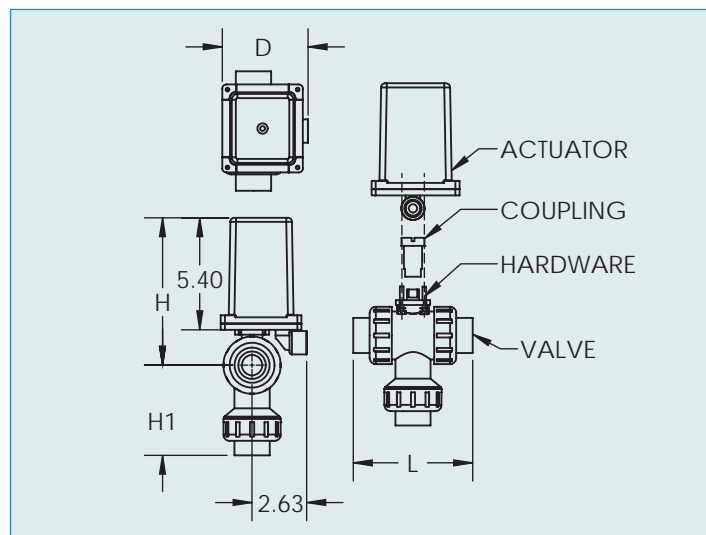
Electrically Actuated Ball Valves



Series 83 on Type 21 Ball Valve

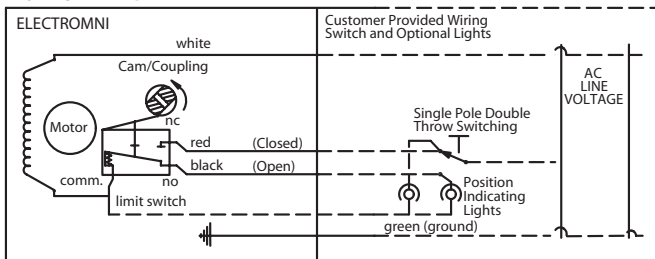


Series 83 on Multiport Ball Valve



Wiring

115 VAC WIRING



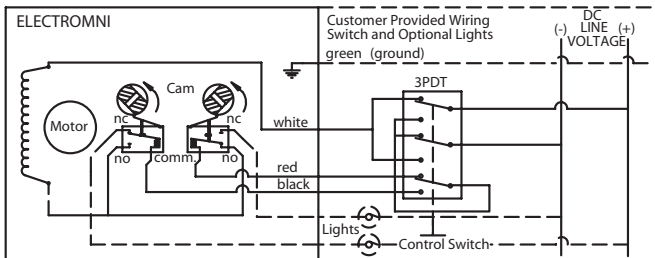
Dimensions (IN.)
SERIES 83 ON
TYPE 21 (1/2"-2")

NOMINAL SIZE		H	H1	L	D
INCHES	mm				
1/2	15	6.58	1.14	4.45	4.14
3/4	20	6.83	1.38	5.08	4.14
1	25	7.10	1.54	5.75	4.14
1 1/2	40	7.79	2.17	7.24	4.60
2	50	8.25	2.60	8.23	4.90

White - Neutral
Black - Hot 'Open'
Red - Hot 'Closed'

*PVC/CPVC Socket End
FOR FEATURES OF SERIES 83
ACTUATOR, SEE PAGE 17.

24 VDC WIRING



Dimensions (IN.)
SERIES 83 ON
MULTI-PORT (1/2"-2")

NOMINAL SIZE		H	H1	L	D
INCHES	mm				
1/2	15	6.58	3.05	4.45	4.14
3/4	20	6.83	3.56	5.08	4.14
1	25	7.11	4.34	5.75	4.14
1 1/2	40	7.80	6.09	7.24	4.59
2	50	8.25	6.87	8.23	5.10

*PVC/CPVC Socket End
FOR FEATURES OF SERIES 83
ACTUATOR, SEE PAGE 17.

TO CLOSE: NEG. TO WHITE POS. TO BLACK
TO OPEN: POS. TO WHITE NEG. TO RED