

### Specifications

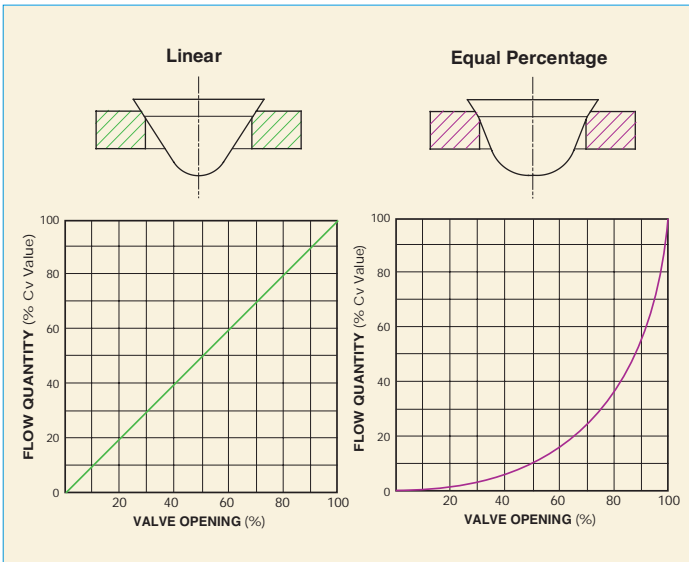
**Sizes:** 1/2" - 4"  
**Materials:** PVC, PP, PVDF and PTFE  
**Model:** Flanged (ANSI)  
**Stem Seal:** PTFE Bellows  
**Valve Seal:** FKM, EPDM, PTFE encapsulated FKM  
**Flow Char.:** Linear or equal percentage  
**Rangeability:** 1: 50 for 1/2" - 3", 1: 30 for 4"  
**Temp. Range:** PVC 32 - 140° F, PP -5 - 175° F  
 PVDF -5 - 265° F, PTFE -5 - 284° F

### Standard Features (Sizes 1/2" - 4")

- Precise flow control
- Solid thermoplastic valve body provides excellent corrosion resistance
- PTFE bellows stem seal eliminates old style packing glands and minimizes maintenance
- Positive bubble tight shut-off
- Plug and seat can be changed to accommodate a variety of valve coefficients (Cv)
- Plug (trim) can be characterized (linear or equal percentage) per requirements. (See below)
- No metal to media contact
- Extremely corrosion resistant actuator constructed of glass-filled Polyester (PEG) with SS trim
- Maximum required air pressure is 90 psi
- 3-15 psi direct acting for sizes up to 1"

### Options

- 3-15 psi Pneumatic Positioner
- 4-20mA Electro-Pneumatic Positioner
- 4-20mA Output Transmitter
- Extra (Auxiliary) Limit Switches



### Parts List (Sizes 1/2" - 4")

PARTS			
NO.	DESCRIPTION	PCS.	MATERIAL
1	Pneumatic Actuator	1	Polyester Glass Filled (PEG)
2	Actuator Spring	1	Coated Steel
3	Diaphragm	1	BUNA-N (Nitrile)
4	Actuator Valve Stem	1	316 Stainless Steel
5	Air Connection	1	1/4" FNPT
6	Actuator Standoffs	2	316 Stainless Steel
7	Position Indicator	1	Nylon Coated Steel
8	Bellows Seal O-Ring	1	EPDM, FKM, PTFE Encapsulated FKM
9	Bellows Housing	1	PVC, PP, PVDF, PTFE
10	Body O-Ring	1	EPDM, FKM, PTFE Encapsulated FKM
11	Bellows	1	PTFE
12	Seat O-Ring	1	EPDM, FKM, PTFE Encapsulated FKM
13	Valve Seat	1	PVC, PP, PVDF, PTFE
14	Valve Plug	1	PVC, PP, PVDF, PTFE
15	Valve Body	1	PVC, PP, PVDF, PTFE

### Sample Specification

All Thermoplastic modulating control valves shall be of the Globe Valve design. Valves shall have interchangeable seat and plugs to accommodate various flow coefficients (Cv) and flow characteristics shall be either linear or equal percentage. Stem seal shall be PTFE and of the bellows design. Pneumatic actuator shall be constructed of glass-filled polyester (PEG) with SS trim. Actuator shall have 1/4" FNPT air connections and a visual position indicator. PVC shall conform to ASTM D1784 Cell Classification 12454-A, PP conforming to ASTM D4101 Cell Classification PPO210B67272, and PVDF conforming to ASTM D3222 Cell Classification Type II, and PTFE shall conform to PTFE TFE 1600, as manufactured by Asahi/America, Inc.

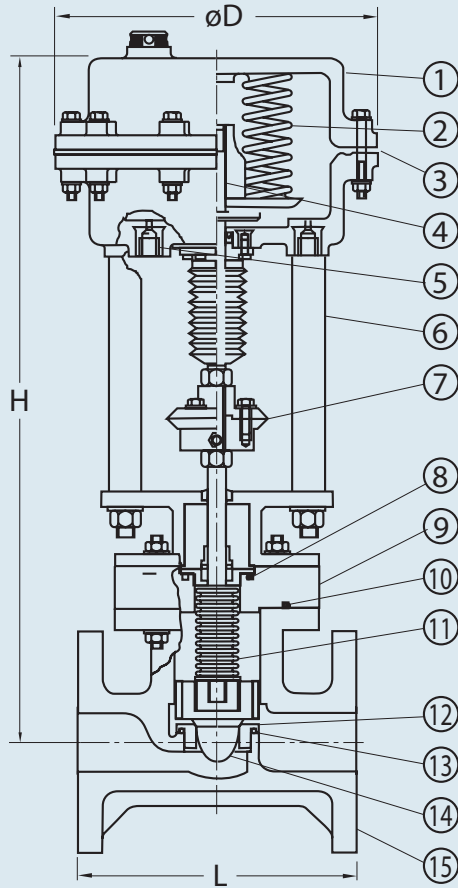
**ASAHI/AMERICA RECOMMENDS THE USE OF AV GASKETS FOR THIS PRODUCT LINE**

### Caution

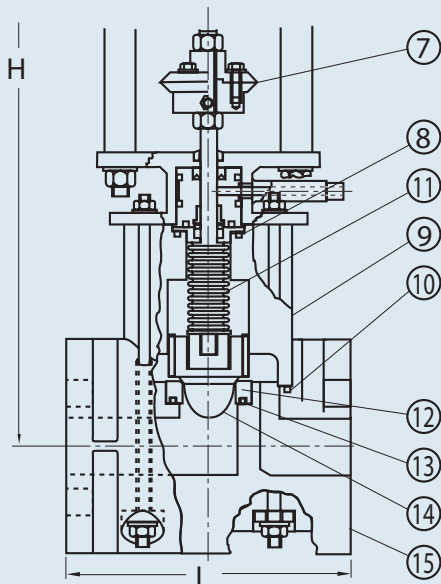
- Never remove valve from pipeline under pressure.
- Always wear protective gloves and goggles.

# Globe Control Valves

## PVC/PP



## PVDF/PTFE



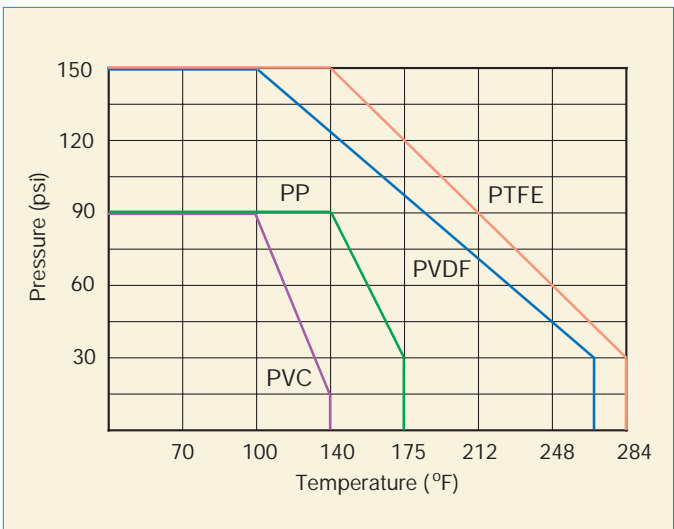
## Dimensions (INCHES)

NOMINAL SIZE		PVC, PP			PVDF, PTFE		
INCHES	mm	L	H	D	L	H	D
1/2	15	3.35	16.54	8.66	5.12	17.71	8.66
3/4	20	3.74	16.54	8.66	5.91	17.91	8.66
1	25	4.33	16.73	8.66	6.30	17.91	8.66
1 1/4 *	32	5.31	16.93	8.66	7.09	18.11	8.66
1 1/2	40	7.48	17.13	8.66	7.87	18.31	8.66
2	50	7.87	18.51	8.66	9.06	18.50	8.66
2 1/2	65	8.66	18.70	8.66	11.42	18.70	8.66
3	80	9.45	20.08	8.66	12.20	19.88	8.66
4	100	11.42	20.28	8.66	13.78	20.37	8.66

\* PP Not Available

## Operating Pressure vs. Temperature

(PSI, WATER, NON-SHOCK)



## Troubleshooting

### What if fluid flows even when fully closed?

1. Plug or seat is damaged. Change plug or seat.
2. Foreign matter caught or formed at plug and seat.
3. Air not completely exhausted.

### What if it does not open?

1. Actuator diaphragm is damaged or worn. Replace.
2. Operating air pressure is low.

### What if fluid leaks from body?

1. Bolts for bellows housing and body are loose. Retighten
2. O-ring(s) chemically attacked.