

Westlock K-10 Pneumatic Positioner

The Westlock K-10 electro-pneumatic positioner accepts variable instrumentation signals (between 4 and 20 milliamps) from a PLC, DCS, set point controller, etc. and regulates the 80-psi air supply to and from the actuator. This process regulates the actuator position within its quadrant for precise modulation.



Engineering Specifications

Input current: 4 to 20 mA (analog)

Supply air pressure: 40 to 120 psi

Resolution: 0.2% of span

Linearity: 1% of span

Hysteresis: 0.2% of span

Repeatability: 0.2% of span

Air connections: 1/4" NPT

Sample Specification

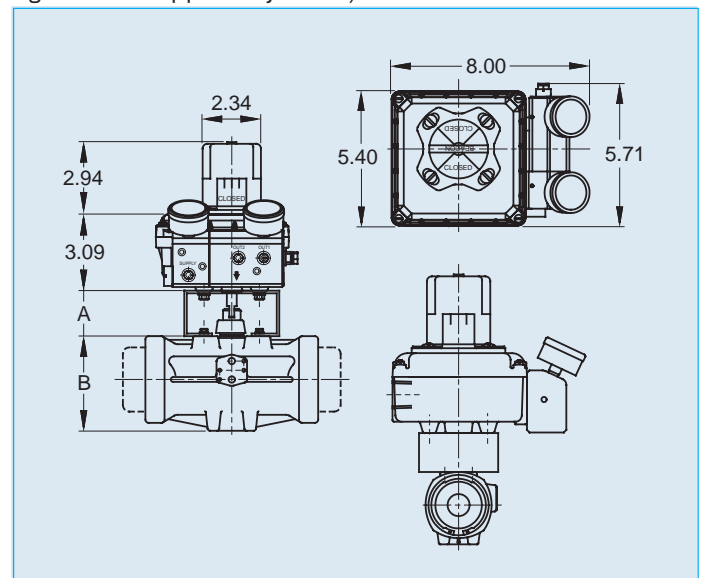
All I/P modulating valves shall be equipped with a K-10 I/P positioner manufactured by Westlock Controls. Positioner housing shall be engineered resin meeting Type 4X, with stainless steel shaft & hardware, an anodized aluminum manifold with gauges, and a visual position indicator. Positioner shall be calibrated via AutoCal pushbuttons located inside of housing or with optional hand held calibration tool, and allow for standard (4-20 mA), split range (4-12 mA or 12-20 mA), or reverse acting (20-4 mA) instrument signals, as supplied by Asahi/America, Inc.

Standard Features

- Simple calibration of positioner with AutoCal pushbuttons located inside of housing
- Corrosion resistant engineered resin enclosure, meets Type 4X
- FM-CSA Approved as general purpose
- Nonincendive for Class 1, Div 2
- Intrinsically safe for Class 1, Div 1
- Beacon visual position indication
- Pressure Gauges
- 3/4" FNPT conduit entry
- Split range capability
- Reverse acting capability
- NAMUR mount

Options

- Hand held I/R calibration tool
- Type 7 enclosure (Aluminum)
- Mechanical switches
- 4 - 20 mA transmitter



Dimensions

Model No.	A	B
AP79P	1.75	2.56
BP79P	2.16	3.15
B579PA	2.16	3.62
CP79P	2.16	3.82
C579PA	2.16	4.64
DP79P	2.16	5.16
D579PA	2.16	6.34
E79P	2.16	7.12
F79P	2.95	8.74
G79P	2.95	10.35
M79P	2.95	16.85