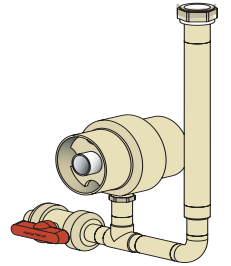
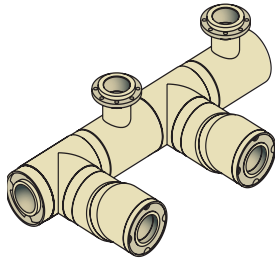


Dci !Dfc[®] 8ci V`Y`K U` Piping System 8|a Ybg|cbU` 8UkU



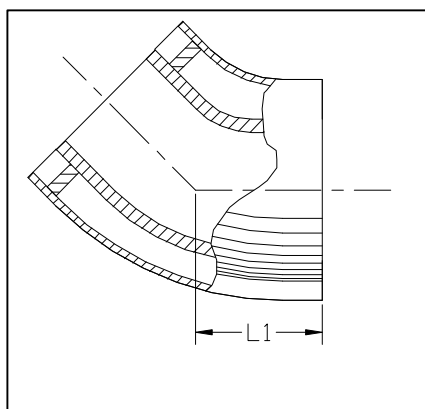


Asahi/America, Inc.
Duo-Pro Double Containment Pipe System

PVDF x PVDF

45° ELBOW

Part number: 6201



SIZE (Size Code)	L1 (in.)
*1 x 3 (134)	5.00
*2 x 4 (420)	5.00
3 x 6 (531)	6.00
4 x 8 (583)	6.00
6 x 10 (627)	6.00
8 x 12 (660)	8.00

1" – 2" SDR 21
3" – 12" SDR 33

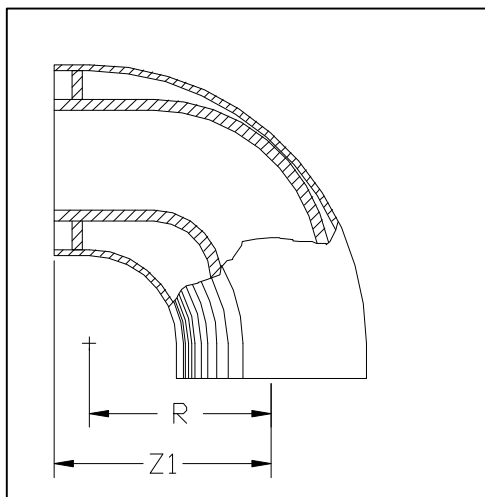


Asahi/America, Inc.
Duo-Pro Double Containment Pipe System

PVDF x PVDF

90° ELBOW

Part number: 6203



SIZE (Size Code)	Z1 (in.)	R (in.)
*1 x 3 (134)	4.06	3.58
*2 x 4 (420)	4.85	4.25
3 x 6 (531)	7.13	6.18
4 x 8 (583)	8.55	7.72
6 x 10 (627)	11.31	9.85
8 x 12 (660)	13.32	11.82

1" – 2" SDR 21
3" – 12" SDR 33

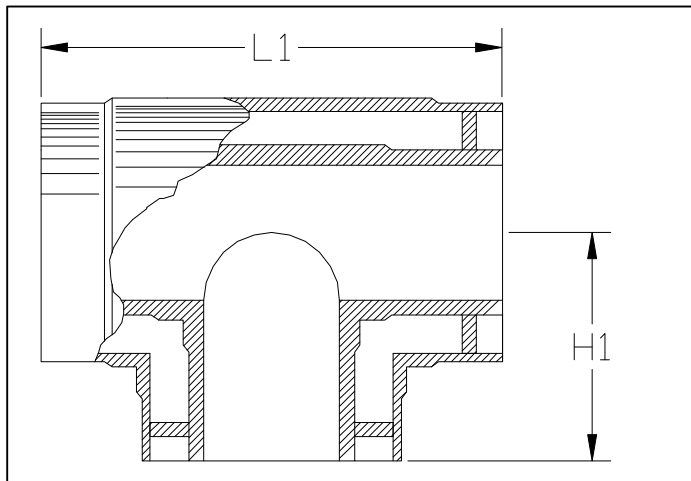


Asahi/America, Inc.
Duo-Pro Double Containment Pipe System

PVDF x PVDF

TEE

Part Number: 6205



SIZE (Size Code)	L1 (in.)	H1 (in.)
*1 x 3 (134)	7.13	3.62
*2 x 4 (420)	8.50	4.33
3 x 6 (531)	10.98	5.51
4 x 8 (583)	17.56	8.78
6 x 10 (627)	17.59	8.54
8 x 12 (660)	21.85	10.83

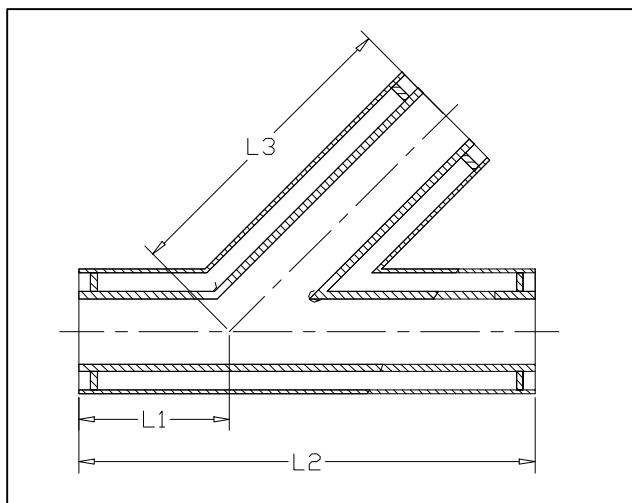
1" – 2" SDR 21
3" – 12" SDR 33



Asahi/America, Inc.
Duo-Pro Double Containment Pipe System

PVDF x PVDF
LATERAL

Part Number: 6209



SIZE (Size Code)	L1 (in.)	L2 (in.)	L3 (in.)
*2 x 4 (420)	6	18	12
3 x 6 (531)	8	24	16
4 x 8 (583)	10	30	20
6 x 10 (627)	12	36	24
8 x 12 (660)	14	42	28

1" – 2" SDR 21
3" – 12" SDR 33
Drainage Fitting

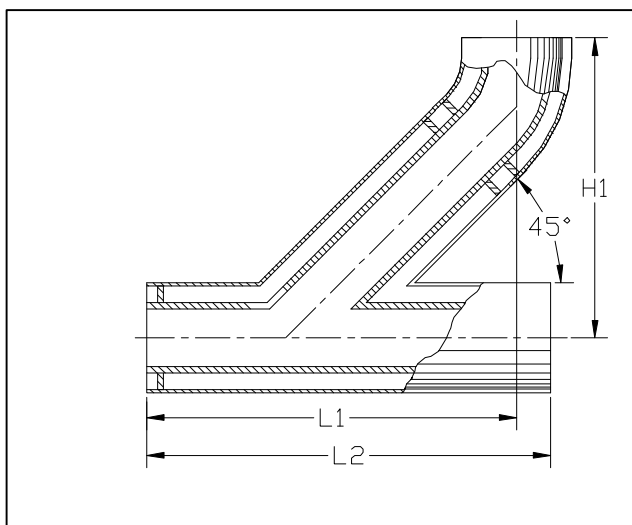


Asahi/America, Inc.
Duo-Pro Double Containment Pipe System

PVDF x PVDF

**LATERAL AND 1/8TH BEND
COMBO**

Part Number: 6211



SIZE (Size Code)	L1 (in.)	L2 (in.)	H1 (in.)
2 x 4 (420)	18.0	18.0	16.5
3 x 6 (531)	23.25	24.0	21.5
4 x 8 (583)	28.5	30.0	24.0
6 x 10 (627)	33.0	36.0	26.75
8 x 12 (660)	38.125	42.0	30.375

1" – 2" SDR 21
3" – 12" SDR 33
Drainage Fitting

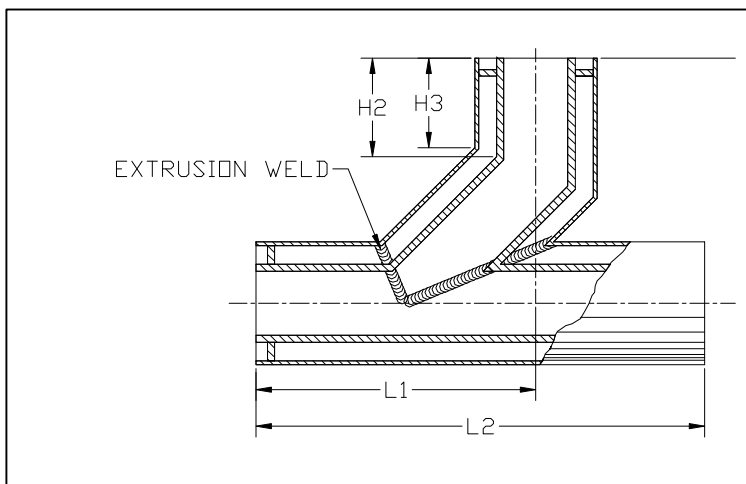


Asahi/America, Inc.
Duo-Pro Double Containment Pipe System

PVDF x PVDF

SANITARY TEE

Part Number: 6213



SIZE (Size Code)	L1 (in.)	L2 (in.)	H1 (in.)	H2 (in.)	H3 (in.)
*1 x 3 (134)	12	18	9	3	2 5/8
*2 x 4 (420)	12	18	9	3	2 5/8
3 x 6 (531)	16	24	12 1/9	4	3 3/8
4 x 8 (583)	20	30	15 3/8	5	4 1/4
6 x 10 (627)	24	36	18 1/2	5 3/4	5
8 x 12 (660)	28	42	21 3/4	6 1/2	5 5/8

1" – 2" SDR 21
3" – 12" SDR 33
 Drainage Fitting

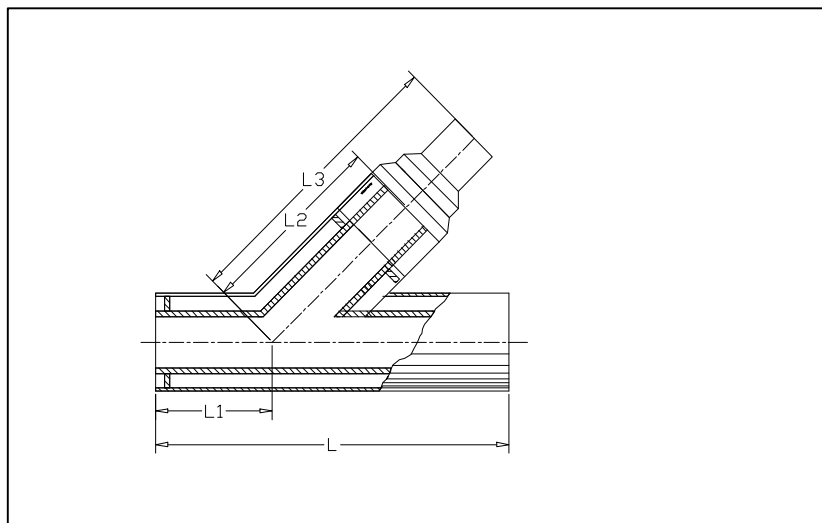


Asahi/America, Inc.
Duo-Pro Double Containment Pipe System

PVDF x PVDF

REDUCING LATERAL

Part Number 6219



SIZE (Size Code)	L1 (in.)	L (in.)	L2 (in.)	L3 (in.)
[3x2*][6x4](743)	8	24	10.25	16.50
[4x2*][8x4](744)	10	30	16.5	25.25
[4x3][8x6](746)	10	30	16.5	22.00
[6x3][10x6](747)	12	36	18.25	27.00
[6x4][10x8](748)	12	36	18.25	25.25
[8x3][12x6](896)	14	42	22.75	34.50
[8x4][12x8](895)	14	42	22.75	32.75
[8x6][12x10](893)	14	42	22.75	29.75

1" – 2" SDR 21
3" – 12" SDR 33
 Drainage Fitting

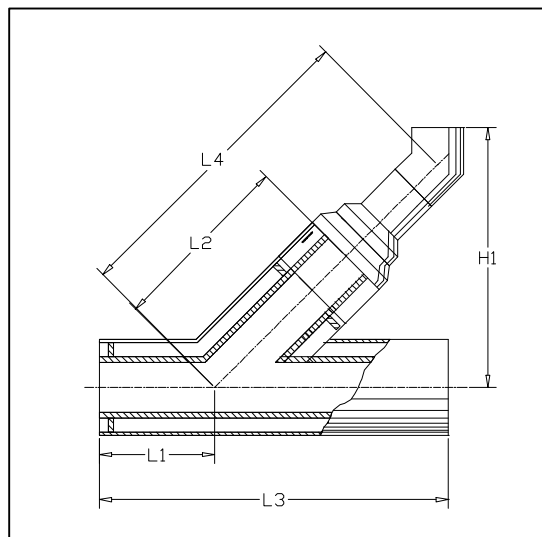


Asahi/America, Inc.
Duo-Pro Double Containment Pipe System

PVDF x PVDF

REDUCING COMBO

Part Number: 6221



SIZE (Size Code)	L1 (in.)	L2 (in.)	L3 (in.)	L4 (in.)	H1 (in.)
[3x2*][6x4](743)	8	10.25	24	21.50	20.25
[4x2*][8x4](744)	10	16.50	30	30.00	26.25
[4x3][8x6](746)	10	16.50	36	28.00	25.75
[6x3][10x6](747)	12	18.25	36	32.75	29.25
[6x4][10x8](748)	12	18.25	36	31.00	28.00
[8x3][12x6](896)	14	22.75	42	40.50	34.75
[8x4][12x8](895)	14	22.75	42	38.75	33.50
[8x6][12x10](893)	14	22.75	42	35.75	31.25

1" – 2" SDR 21
3" – 12" SDR 33
 Drainage Fitting



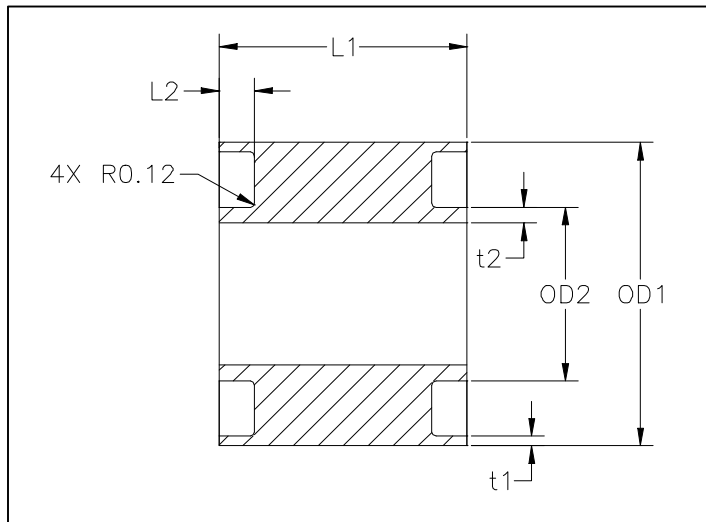
Asahi/America, Inc.

Duo-Pro Double Containment Pipe System

Duo-Pro PVDFxPVDF

DOGBONE

Part Number: 6226



SIZE (Size Code)	OD2 (in.)	OD1 (in.)	L1 (in.)	L2 (in.)	t2 (in.)	t1 (in.)	PROD. APR.
1 x 3 (134)	1.26	3.54	3.00	.50	.094	.110	
2 x 4 (420)	2.48	4.33	3.00	.50	.118	.134	
3 x 6 (531)	3.54	6.30	3.00	.50	.110	.193	
4 x 8 (583)	4.33	7.87	3.00	.50	.134	.244	
6 x 10 (627)	6.30	9.84	2.25	.50	.193	.303	
8 x 12 (660)	7.87	12.40	2.25	.50	.244	.382	

1" – 2" SDR 21

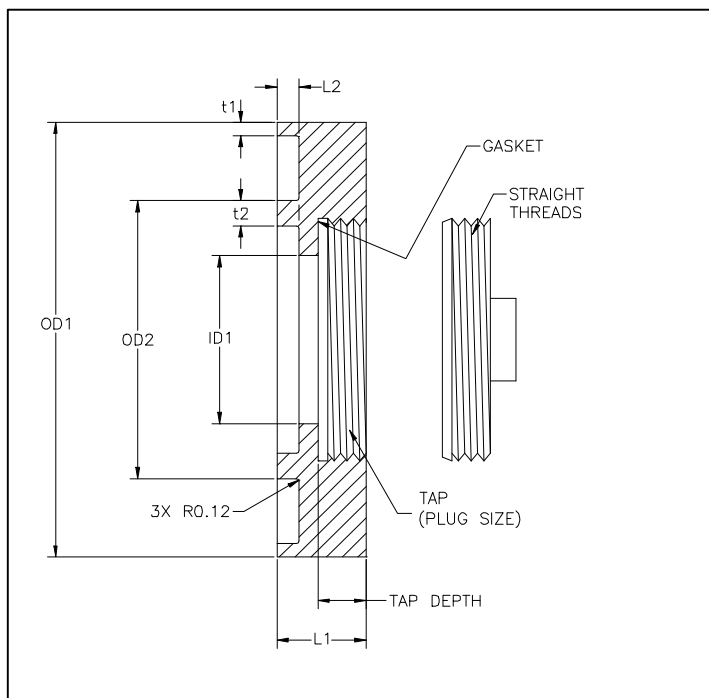
3" – 12" SDR 33



Asahi/America, Inc.
Duo-Pro Double Containment Pipe System

Duo-Pro PVDF X PVDF
CLEANOUT W/PLUG

Part Number 6243



SIZE (Size Code)	OD2 (in.)	OD1 (in.)	L1 (in.)	L2 (in.)	ID1 (in.)	t2 (in.)	t1 (in.)	NPT TAP (in.)	TAP DEPTH (in.)	PROD SIGN OFF
*1 x 3 (134)	1.26	3.54	3.0	.50	1.00	.094	.110	2	1.06	
*2 x 4 (420)	2.48	4.33	3.0	.50	2.00	.118	.134	2	1.06	
3 x 6 (531)	3.54	6.30	3.0	.50	2.50	.110	.193	3	1.26	
4 x 8 (583)	4.33	7.87	3.0	.50	3.00	.134	.244	4	1.26	
6 x 10 (627)	6.30	9.84	3.0	.50	5.00	.193	.303	6	1.26	
8 x 12 (660)	7.87	12.40	3.0	.50	5.00	.244	.382	6	1.52	

1" – 2" SDR 21
3" – 12" SDR 33

Drainage Fitting

Asahi/America, Inc. 35 Green Street Malden, MA 02148 Phone: 781-321-5409 Fax: 781-321-4421

www.asahi-america.com

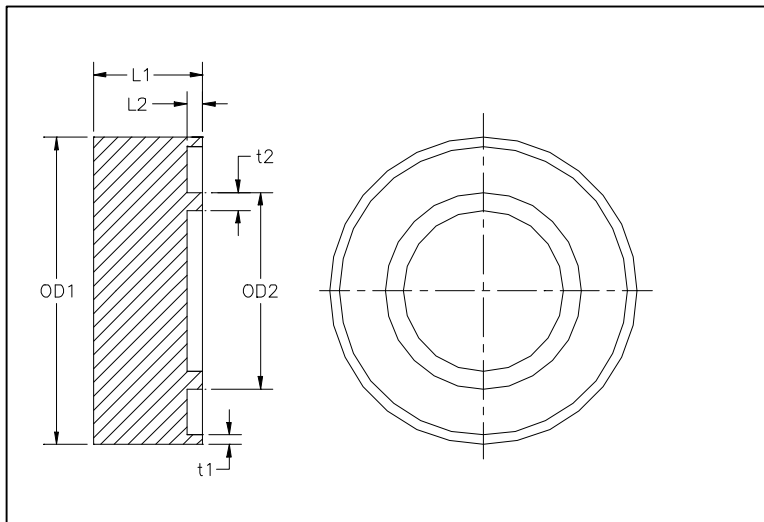
Rev A



Asahi/America, Inc.
Duo-Pro Double Containment Pipe System

Duo-Pro PVDF
CAP

Part number: 6251



SIZE (Size Code)	OD2 (in.)	OD1 (in.)	L1 (in.)	L2 (in.)	t2 (in.)	t1 (in.)	INT.
1 x 3 (134)	1.26	3.54	2.0	.50	.094	.110	
2 x 4 (420)	2.48	4.33	2.0	.50	.118	.134	
3 x 6 (531)	3.54	6.30	2.0	.50	.110	.193	
4 x 8 (583)	4.33	7.87	2.0	.50	.138	.244	
6 x 10 (627)	6.30	9.84	2.0	.50	.197	.307	
8 x 12 (660)	7.87	12.4	2.0	.50	.244	.386	

1" – 2" SDR 21
3" – 12" SDR 33



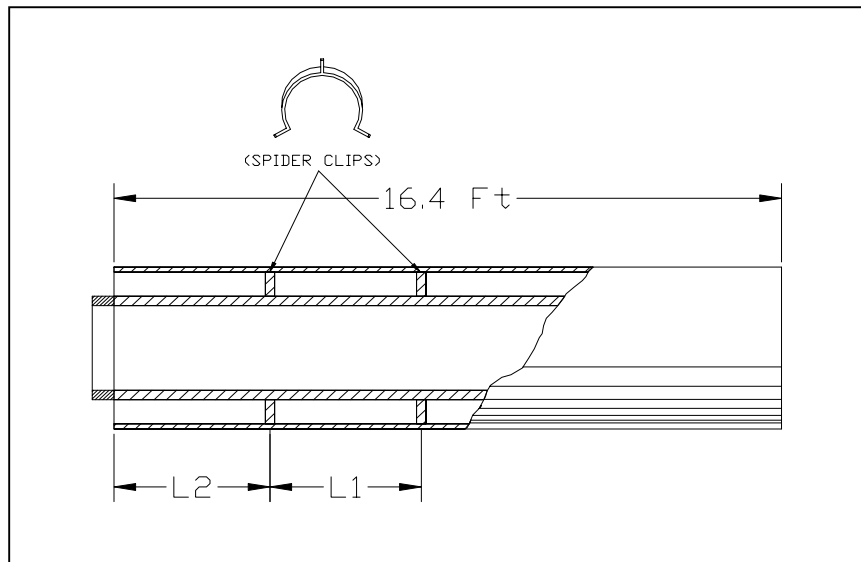
ASAHI/AMERICA®

Duo-Pro Double Contained Piping Systems

PVDF x PRO 150

Simultaneous Pipe

Part Number 6023+(size code)



SIZE (Size Code)	L1 (ft.)	L2 (ft.)	# Spider Clips
1 x 3 (134)	3.75	2.5	4
2 x 4 (420)	3.50	3.0	4
3 x 6 (531)	5.25	3.0	3
4 x 8 (583)	5.25	3.0	3
6 x 10 (627)	5.25	3.0	3
8 x 12 (660)	5.25	3.0	3
10 x 14 (702)	5.25	3.0	3

Note:

The Spider Clips are Polypropylene

Asahi America Inc. 35 Green St Malden Ma 02148 Office 1-781-321-5409 Fax 1-781-321-4421

Email: asahi@asahi-america.com

Internet: www.asahi-america.com



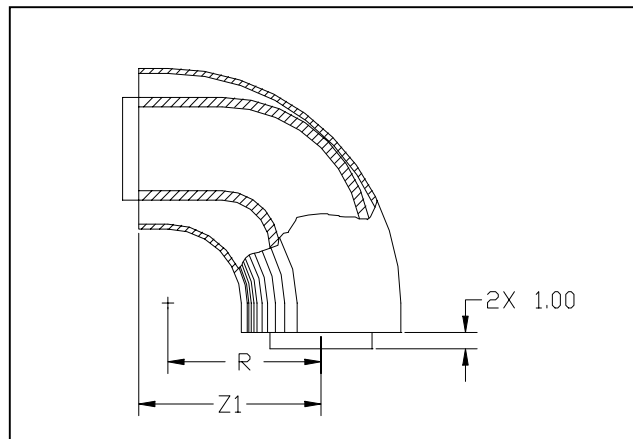
ASAHI/AMERICA®

Duo-Pro Double Contained Piping Systems

PVDF x PRO 150

90° ELBOW

Part Number 6003+(size code)



SIZE (Size Code)	Z1 (in.)	R (in.)
1 x 3 (134)	3.94	3.35
2 x 4 (420)	4.88	4.13
3 x 6 (531)	7.08	6.10
4 x 8 (583)	7.87	7.68
6 x 10 (627)	11.22	10.04
8 x 12 (660)	13.39	11.81
10 x 14 (702)	13.40	11.81

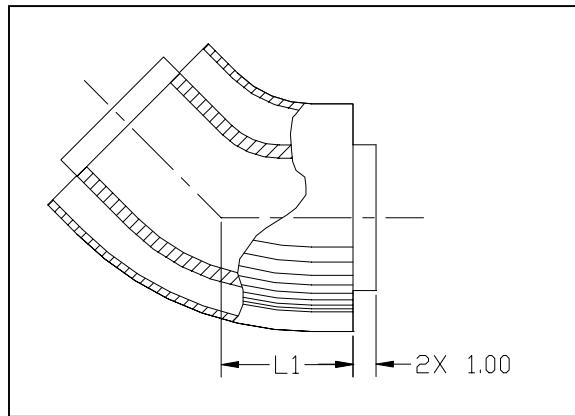


Duo-Pro Double Contained Piping Systems

PVDF X PRO 150

45° ELBOW

Part Number 6001+(size code)



SIZE (Size Code)	L1 (in.)
1 x 3 (134)	4.00
2 x 4 (420)	4.25
3 x 6 (531)	6.00
4 x 8 (583)	6.50
6 x 10 (627)	8.50
8 x 12 (660)	10.00
10 x 14* (702)	8.50

*14" CONTAINMENT IS
SEGMENTED



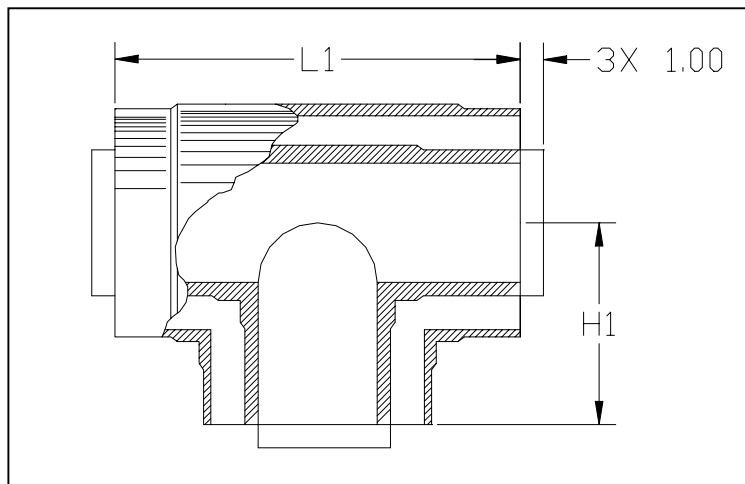
ASAHI/AMERICA®

Duo-Pro Double Contained Piping Systems

PVDF x PRO 150

TEE

Part Number 6005+(size code)



SIZE (Size Code)	L1 (in.)	H1 (in.)
1 x 3 (134)	8.15	4.17
2 x 4 (420)	9.45	4.72
3 x 6 (531)	12.40	6.30
4 x 8 (583)	15.59	7.80
6 x 10 (627)	18.50	9.25
8 x 12 (660)	21.26	10.83
10 x 14 (702)	26.57	13.46

Asahi America Inc. 35 Green St Malden Ma 02148 Office 1-781-321-5409 Fax 1-781-321-4421

Email: asahi@asahi-america.com

Internet: www.asahi-america.com



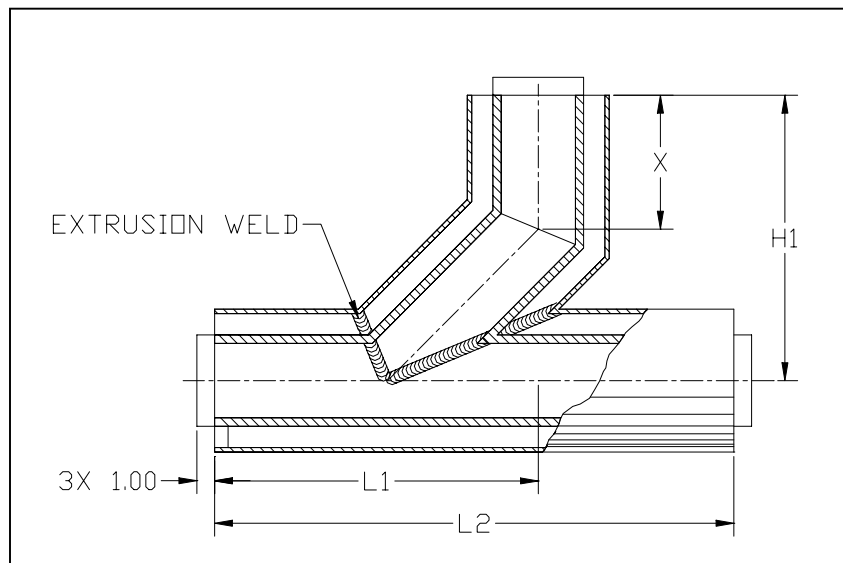
ASAHI/AMERICA®

Duo-Pro Double Contained Piping Systems

PVDF x PRO 150

45° Sanitary Tee

Part Number 6013+(size code)



SIZE (Size Code)	L1 (in.)	L2 (in.)	H1 (in.)	X (in.)
2 x 4 (420)	12	18	9	3
3 x 6 (531)	16	24	12.50	4.50
4 x 8 (583)	20	30	15.50	5.25
6 x 10 (627)	24	36	18.50	6.50
8 x 12 (660)	28	42	21.75	7.75



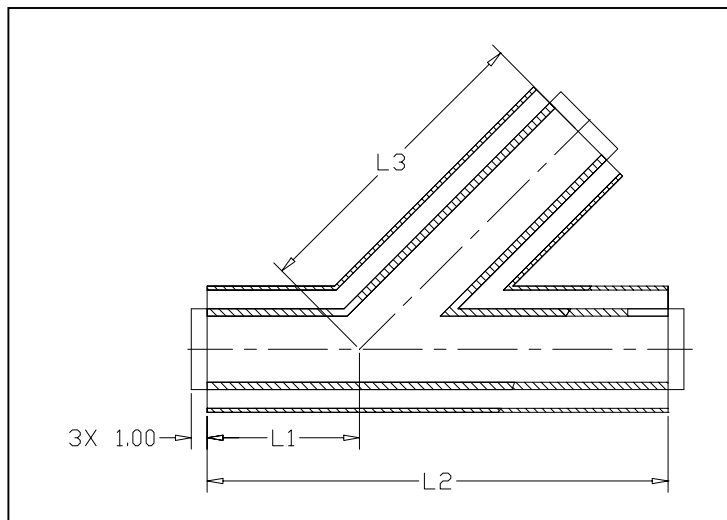
ASAHI/AMERICA®

Duo-Pro Double Contained Piping Systems

PVDF x PRO 150

45° Lateral

Part Number 6009+(size code)



SIZE (Size Code)	L1 (in.)	L2 (in.)	L3 (in.)
1 x 3 (134)	6	18	12
2 x 4 (420)	6	18	12
3 x 6 (531)	8	24	16
4 x 8 (583)	10	30	20
6 x 10 (627)	12	36	24
8 x 12 (660)	14	42	28

Note:

Containment Lateral is Extrusion welded



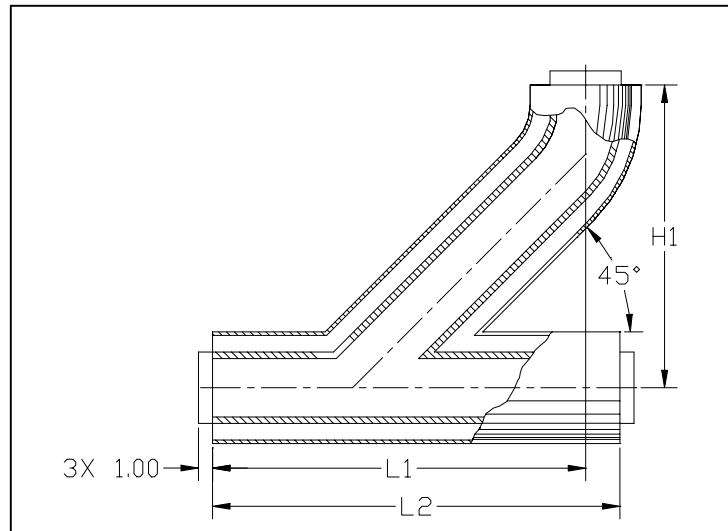
ASAHI/AMERICA®

Duo-Pro Double Contained Piping Systems

PVDF x PRO 150

45° Lateral w/1/8 Bend

Part Number 6011+(size code)



SIZE (Size Code)	L1 (in.)	L2 (in.)	H1 (in.)
1 x 3 (134)	17.25	18.0	15.25
2 x 4 (420)	18.00	18.0	16.50
3 x 6 (531)	23.25	24.0	21.50
4 x 8 (583)	28.50	30.0	25.00
6 x 10 (627)	34.75	36.0	31.25
8 x 12 (660)	40.75	42.0	36.75

Note:

Containment Lateral is Extrusion Welded

Asahi America Inc. 35 Green St Malden Ma 02148 Office 1-781-321-5409 Fax 1-781-321-4421

Email: asahi@asahi-america.com

Internet: www.asahi-america.com



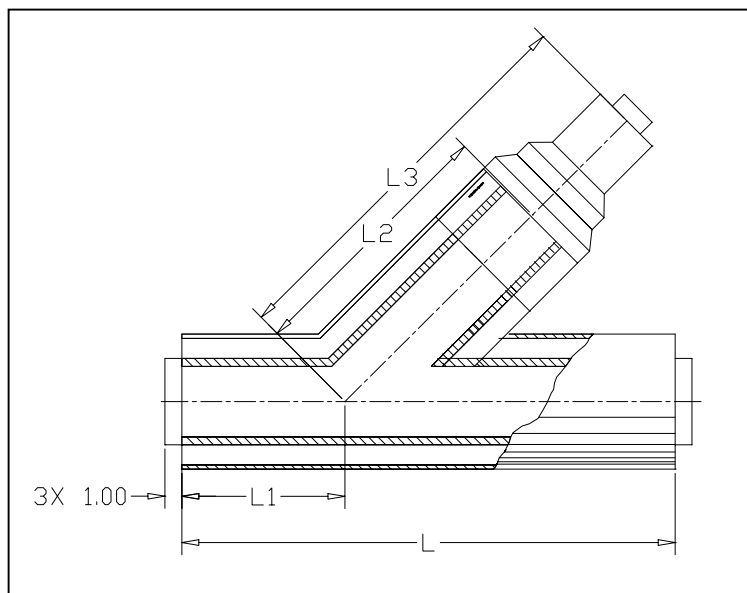
ASAHI/AMERICA®

Duo-Pro Double Contained Piping Systems

PVDF x PRO 150

45° Reducing Lateral

Part Number 6019+(size code)



SIZE (Size Code)	L1 (in.)	L (in.)	L2 (in.)	L3 (in.)
[3x2][6x4](743)	8	24	10.25	16.50
[4x2][8x4](744)	10	30	16.5	25.25
[4x3][8x6](746)	10	30	16.5	22.00
[6x3][10x6](747)	12	36	18.25	27.00
[6x4][10x8](748)	12	36	18.25	25.25
[8x3][12x6](896)	14	42	22.75	34.50
[8x4][12x8](895)	14	42	22.75	32.75
[8x6][12x10](893)	14	42	22.75	29.75

Note:

Containment Lateral is Extrusion Welded

Asahi America Inc. 35 Green St Malden Ma 02148 Office 1-781-321-5409 Fax 1-781-321-4421

Email: asahi@asahi-america.com

Internet: www.asahi-america.com

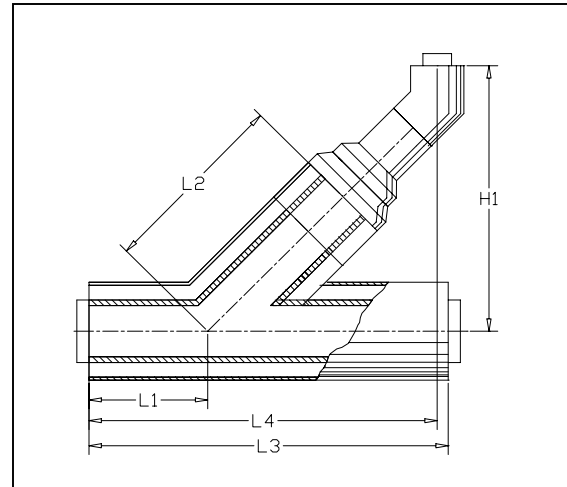


ASAHI/AMERICA®

Duo-Pro Double Contained Piping Systems

PVDF x PRO 150 45° Reducing Lateral W/1/8 bend

Part Number 6021+(size code)



SIZE (Size Code)	L1 (in.)	L2 (in.)	L3 (in.)	L4 (in.)	H1 (in.)
[3x2][6x4](743)	8	10.25	24	21.50	20.25
[4x2][8x4](744)	10	16.50	30	30.00	26.25
[4x3][8x6](746)	10	16.50	36	28.00	25.75
[6x3][10x6](747)	12	18.25	36	32.75	29.25
[6x4][10x8](748)	12	18.25	36	31.00	28.00
[8x3][12x6](896)	14	22.75	42	40.50	34.75
[8x4][12x8](895)	14	22.75	42	38.75	33.50
[8x6][12x10](893)	14	22.75	42	35.75	31.25

Note:

Containment Lateral is Extrusion Welded



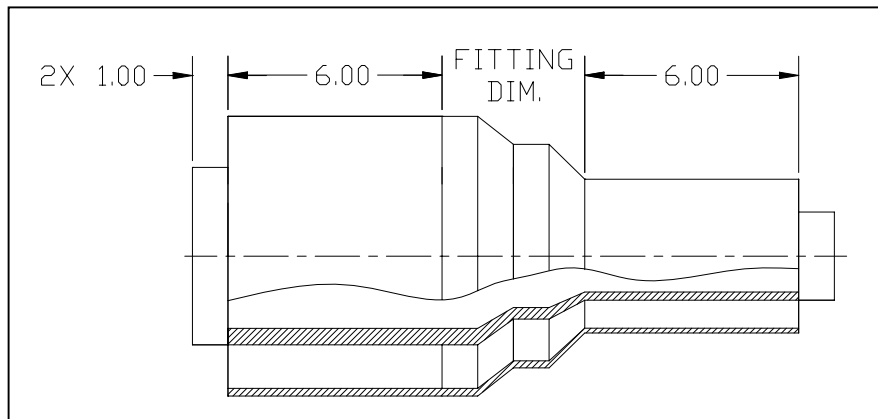
ASAHI/AMERICA®

Duo-Pro Double Contained Piping Systems

PVDF x PRO 150

Concentric Reducer

Part Number 6015+(size code)



SIZE (Size Code)	L1 (in.)
[3x1][6x3] (741)	16.50
[3x2][6x4] (743)	15.25
[4x4][8x4] (744)	17.75
[4x3][8x6] (746)	14.50
[6x4][10x8] (748)	15.75
[6x3][10x6] (747)	17.75
[6x2][10x4] (892)	19.00
[8x6][12x10] (893)	16.00
[8x4][12x8] (895)	19.00
[8x3][12x6] (896)	21.00

Asahi America Inc. 35 Green St Malden Ma 02148 Office 1-781-321-5409 Fax 1-781-321-4421

Email: asahi@asahi-america.com

Internet: www.asahi-america.com



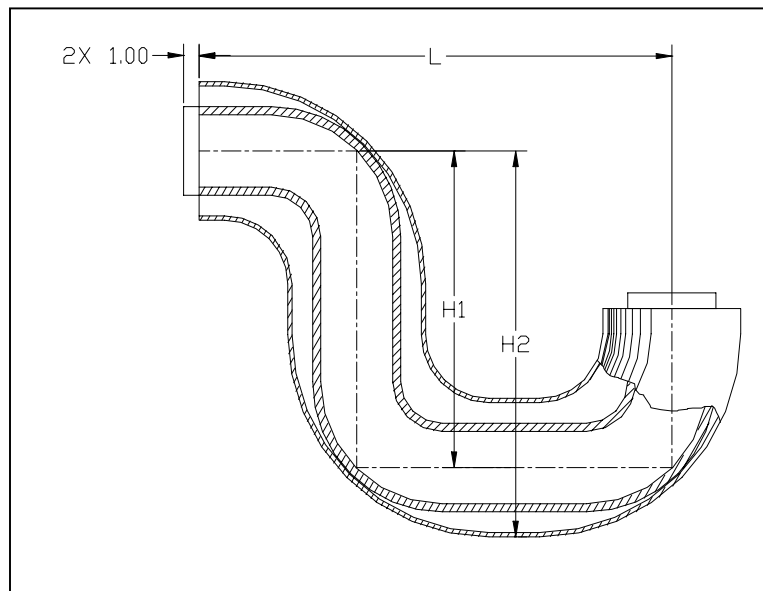
ASAHI/AMERICA®

Duo-Pro Double Contained Piping Systems

PVDF x PRO 150

P-Trap

Part Number 6007+(size code)



SIZE (Size Code)	L (in.)	H1 (in.)	H2 (in.)
1 x 3 (134)	11.57	7.63	9.40
2 x 4 (420)	14.42	9.53	11.70
3 x 6 (531)	21.02	13.93	17.08
4 x 8 (583)	23.36	15.49	19.43
6 x 10 (627)	33.44	22.21	27.13
8 x 12 (660)	39.95	26.55	32.75



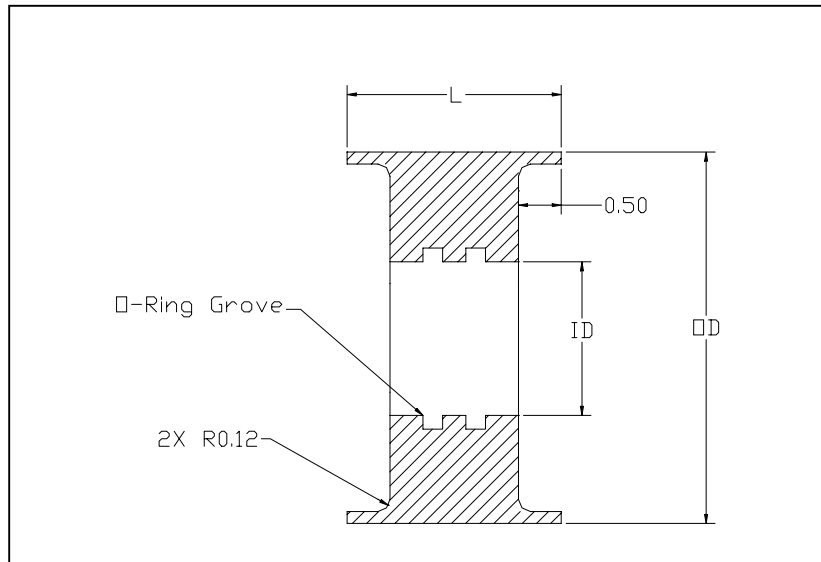
ASAHI/AMERICA®

Duo-Pro Double Contained Piping Systems

PVDF x PRO 150

Solid Dogbone

Part Number 6026+(size code)



SIZE (Size Code)	OD (in.)	ID (in.)	L (in.)
1 x 3 (134)	3.54	1.34	3.0
2 x 4 (420)	4.33	2.56	3.0
3 x 6 (531)	6.30	3.62	3.0
4 x 8 (583)	7.87	4.41	3.0
6 x 10 (627)	9.84	6.38	3.0
8 x 12 (660)	12.40	7.96	3.0
10 x 14 (702)	13.98	9.92	2.25

Asahi America Inc. 35 Green St Malden Ma 02148 Office 1-781-321-5409 Fax 1-781-321-4421

Email: asahi@asahi-america.com

Internet: www.asahi-america.com



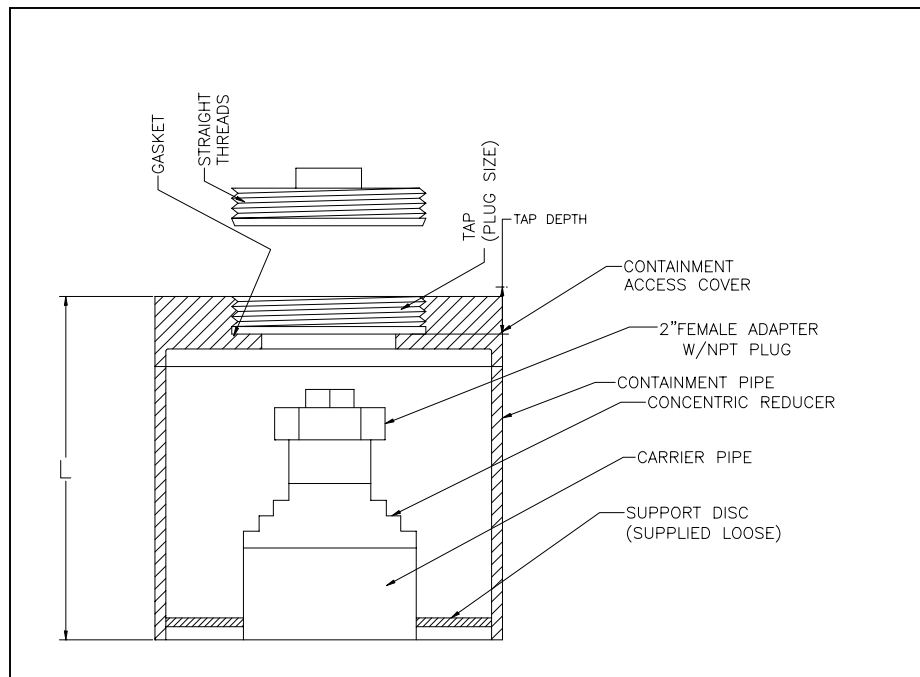
ASAHI/AMERICA®

Duo-Pro Double Contained Piping Systems

PVDF x PRO 150

Cleanout with Plug

Part Number 6032+(size code)



SIZE (Size Code)	L1 (in.)	TAP (in.)	TAP DEPTH (in.)
1 x 3 (134)	12.0	2	0.93
2 x 4 (420)	12.0	3	1.12
3 x 6 (531)	12.0	4	1.26
4 x 8 (583)	12.0	4	1.26
6 x 10 (627)	12.0	6	1.52



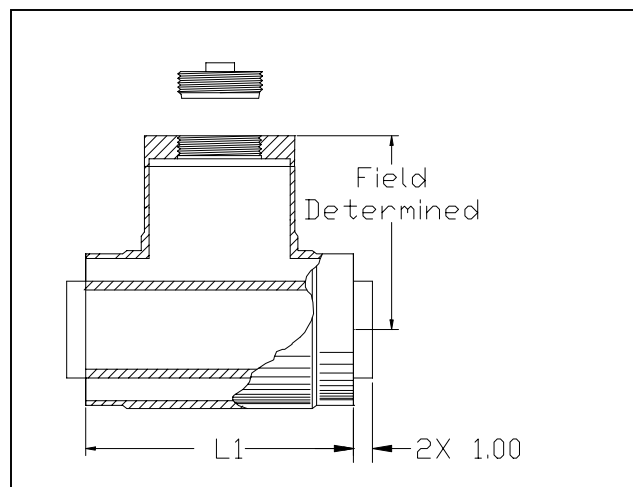
ASAHI/AMERICA®

Duo-Pro Double Contained Piping Systems

PVDF x PRO 150

Access Tee W/Threaded Plug

Part Number 6004+(size code)



SIZE (Size Code)	L1 (in.)
1 x 3 (134)	8.15
2 x 4 (420)	9.45
3 x 6 (531)	12.40
4 x 8 (583)	15.59
6 x 10 (627)	18.50
8 x 12 (660)	21.26
10 x 14 (702)	26.57

Asahi America Inc. 35 Green St Malden Ma 02148 Office 1-781-321-5409 Fax 1-781-321-4421

Email: asahi@asahi-america.com

Internet: www.asahi-america.com



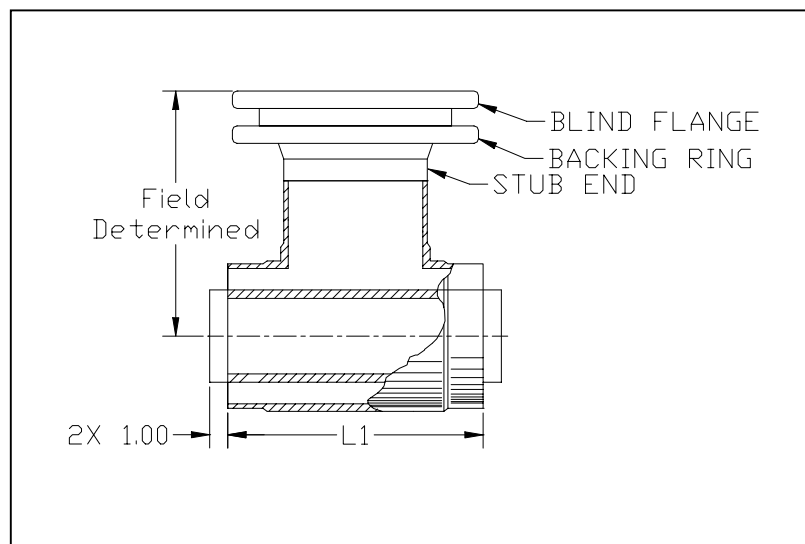
ASAHI/AMERICA®

Duo-Pro Double Contained Piping Systems

PVDF x PRO 150

Access Tee W/Flanged Cover

Part Number 6002+(size code)



SIZE (Size Code)	L1 (in.)
1 x 3 (134)	8.15
2 x 4 (420)	9.45
3 x 6 (531)	12.40
4 x 8 (583)	15.59
6 x 10 (627)	18.50
8 x 12 (660)	21.26
10 x 14 (702)	26.57

Asahi America Inc. 35 Green St Malden Ma 02148 Office 1-781-321-5409 Fax 1-781-321-4421

Email: asahi@asahi-america.com

Internet: www.asahi-america.com



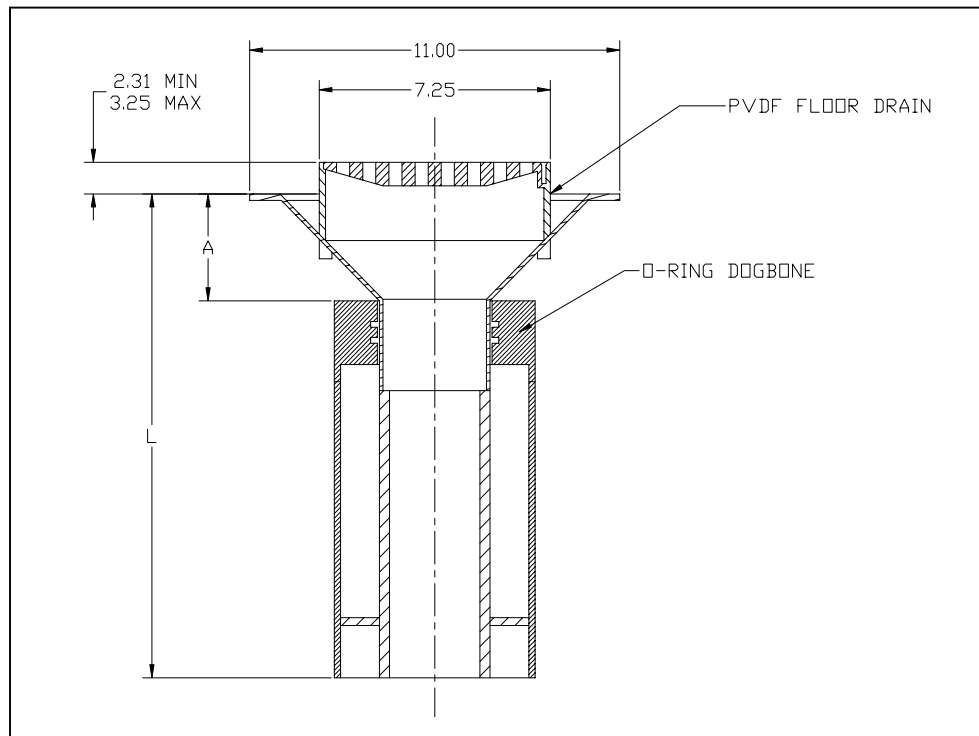
ASAHI/AMERICA®

Duo-Pro Double Contained Piping Systems

PVDF x PRO 150

NON ADJ- Floor Drain

Part Number 6030+(size code)



SIZE (Size Code)	L (in.)	A (in.)
2 x 4 (420)	18.0	4.50
3 x 6 (531)	18.0	4.60
4 x 8 (583)	18.0	4.87
6 x 10 (627)	18.0	3.65

Asahi America Inc. 35 Green St Malden Ma 02148 Office 1-781-321-5409 Fax 1-781-321-4421

Email: asahi@asahi-america.com

Internet: www.asahi-america.com

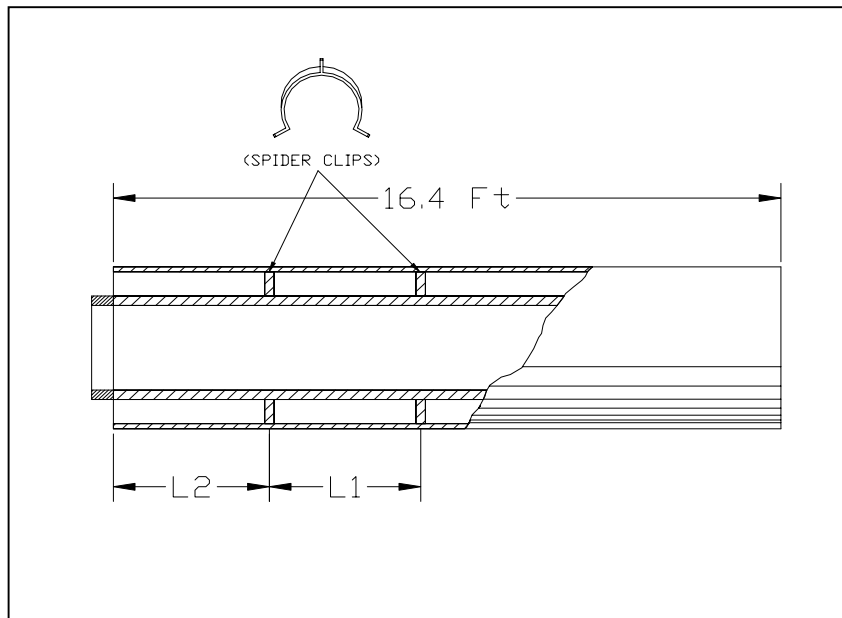


ASAHI/AMERICA®

Duo-Pro Double Contained Piping Systems

PVDF x PRO 45 Staggered Pipe

Part
Number
6123+(size
code)



SIZE (Size Code)	L1 (ft.)	L2 (ft.)	# Spider Clips
2 x 4 (420)	3.50	3.0	4
3 x 6 (531)	5.25	3.0	3
4 x 8 (583)	5.25	3.0	3
6 x 10 (627)	5.25	3.0	3
8 x 12 (660)	5.25	3.0	3
10 x 14 (702)	5.25	3.0	3
12 x 16 (690)	5.25	3.0	3

Note:

The Spider Clips are Polypropylene



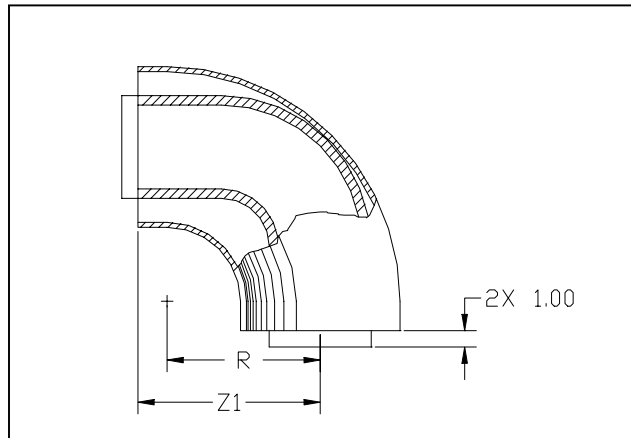
ASAHI/AMERICA®

Duo-Pro Double Contained Piping Systems

PVDF x PRO 45

90° ELBOW

Part Number 6103+(size code)



SIZE (Size Code)	Z1 (in.)	R (in.)
2 x 4 (420)	4.72	4.33
3 x 6 (531)	6.69	6.10
4 x 8 (583)	8.66	7.76
6 x 10 (627)	11.41	10.43
8 x 12 (660)	13.38	11.81
10 x 14 (702)	13.39	11.81
12 x 16 (690)	13.58	11.81

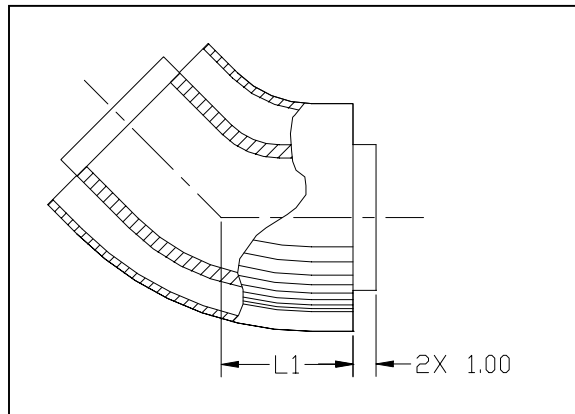


Duo-Pro Double Contained Piping Systems

PVDF x PRO 45

45° ELBOW

Part Number 6101+(size code)



SIZE (Size Code)	L1 (in.)
2 x 4 (420)	5.00
3 x 6 (531)	6.00
4 x 8 (583)	6.00
6 x 10 (627)	6.00
8 x 12 (660)	6.50
10 x 14 (702)	10.00
12 x 16 (690)	12.00

Note:

Containment Fittings are Segmented



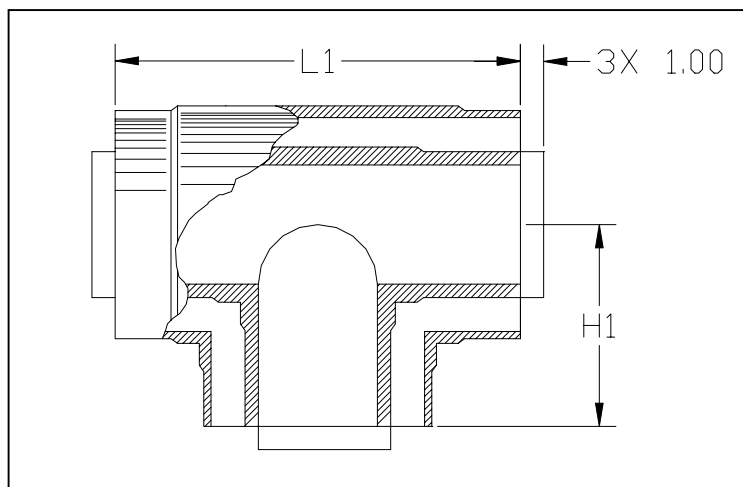
ASAHI/AMERICA®

Duo-Pro Double Contained Piping Systems

PVDF x PRO 45

45° TEE

Part Number 6105+(size code)



SIZE (Size Code)	L1 (in.)	H1 (in.)
2 x 4 (420)	8.46	4.29
3 x 6 (531)	10.94	5.51
4 x 8 (583)	13.39	6.69
6 x 10 (627)	17.25	8.66
8 x 12 (660)	21.00	10.65
10 x 14 (702)	26.93	13.46
12 x 16 (690)	27.36	13.78

Asahi America Inc. 35 Green St Malden Ma 02148 Office 1-781-321-5409 Fax 1-781-321-4421

Email: asahi@asahi-america.com

Internet: www.asahi-america.com



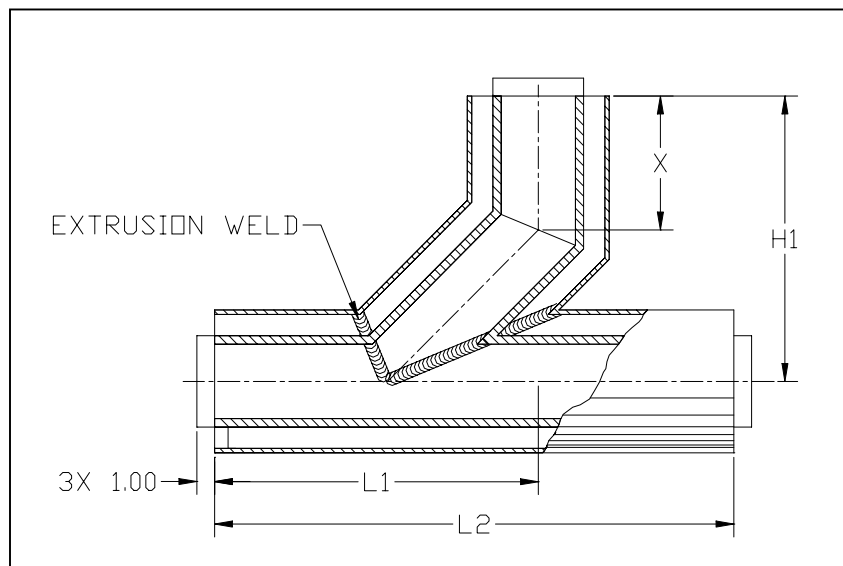
ASAHI/AMERICA®

Duo-Pro Double Contained Piping Systems

PVDF x PRO 45

45° Sanitary Tee

Part Number 6113+(size code)



SIZE (Size Code)	L1 (in.)	L2 (in.)	H1 (in.)	X (in.)
2 x 4 (420)	12	18	9	3
3 x 6 (531)	16	24	12.50	4.50
4 x 8 (583)	20	30	15.50	5.25
6 x 10 (627)	24	36	18.50	6.50
8 x 12 (660)	28	42	21.75	7.75
10 x 14 (702)	32	48	24.25	8.25
12 x 16 (690)	36	54	28.00	10.00

Asahi America Inc. 35 Green St Malden Ma 02148 Office 1-781-321-5409 Fax 1-781-321-4421

Email: asahi@asahi-america.com

Internet: www.asahi-america.com



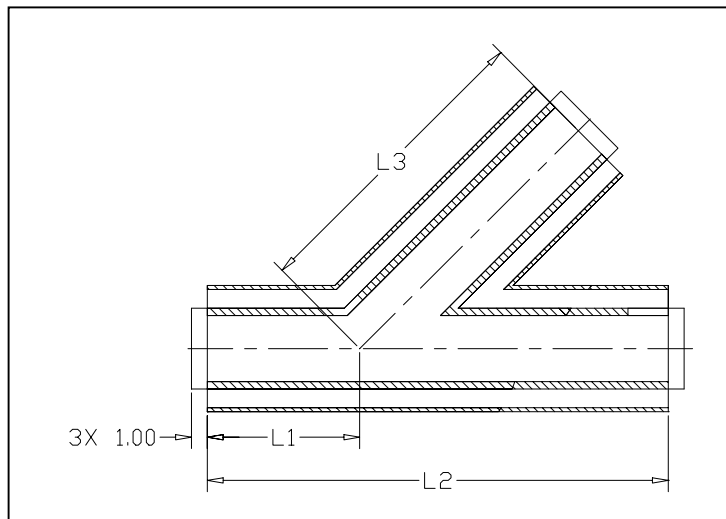
ASAHI/AMERICA®

Duo-Pro Double Contained Piping Systems

PVDF x PRO 45

45° Lateral

Part Number 6109+(size code)



SIZE (Size Code)	L1 (in.)	L2 (in.)	L3 (in.)
2 x 4 (420)	6	18	12
3 x 6 (531)	8	24	16
4 x 8 (583)	10	30	20
6 x 10 (627)	12	36	24
8 x 12 (660)	14	42	28
10 x 14 (702)	16	48	32
12 x 16 (690)	18	54	36

Note:

Containment Lateral is Extrusion welded



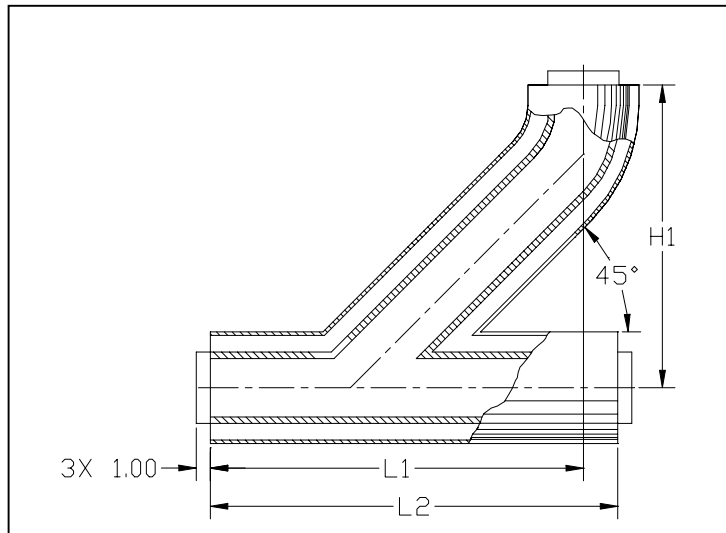
ASAHI/AMERICA®

Duo-Pro Double Contained Piping Systems

PVDF x PRO 45

45° Lateral w/1/8 Bend

Part Number 6111+(size code)



SIZE (Size Code)	L1 (in.)	L2 (in.)	H1 (in.)
2 x 4 (420)	18.0	18.0	16.5
3 x 6 (531)	23.25	24.0	21.5
4 x 8 (583)	28.5	30.0	24.0
6 x 10 (627)	33.0	36.0	26.75
8 x 12 (660)	38.125	42.0	30.375
10 x 14 (702)	45.5	48.0	39.125
12 x 16 (690)	51.75	54.0	45.375

Note:

Containment Lateral is Extrusion Welded



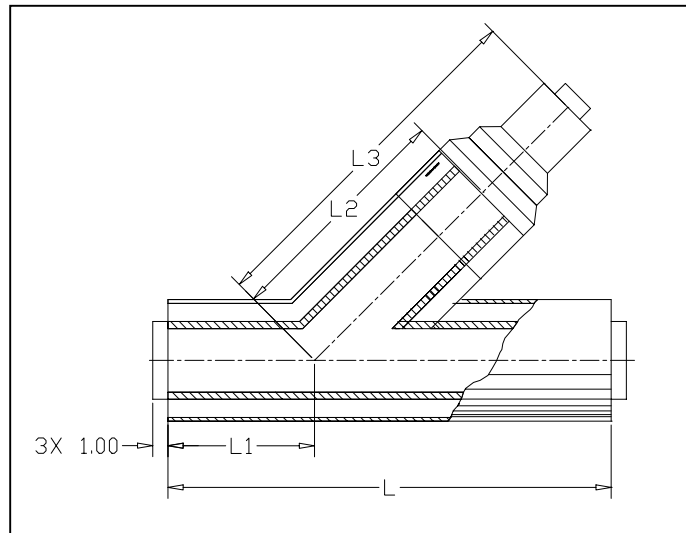
ASAHI/AMERICA®

Duo-Pro Double Contained Piping Systems

PVDF x PRO 45

45° Reducing Lateral

Part Number 6119+(size code)



SIZE (Size Code)	L1 (in.)	L (in.)	L2 (in.)	L3 (in.)
[3x2][6x4](743)	8	24	10.25	16.50
[4x2][8x4](744)	10	30	16.5	25.25
[4x3][8x6](746)	10	30	16.5	22.00
[6x2][10x4](892)	12	36	18.25	31.75
[6x3][10x6](747)	12	36	18.25	27.00
[6x4][10x8](748)	12	36	18.25	25.25
[8x2][12x4](890)	14	42	22.75	36.37
[8x3][12x6](896)	14	42	22.75	34.50
[8x4][12x8](895)	14	42	22.75	32.75
[8x6][12x10](893)	14	42	22.75	29.75
[10x3][14x16](898)	16	48	25	40.37
[10x4][14x8](903)	16	48	25	37.50
[10x6][14x10](902)	16	48	25	34.50
[10x8][14x12](899)	16	48	25	30.50
[12x4][16x8](924)	18	54	29	45.00
[12x4][16x8](904)	18	54	29	43.50
[12x6][16x10](915)	18	54	29	40.50
[12x8][16x12](910)	18	54	29	36.15
[12x10][16x14](910)	18	54	29	35.50

Note:

Containment Lateral is Extrusion Welded

Asahi America Inc. 35 Green St Malden Ma 02148 Office 1-781-321-5409 Fax 1-781-321-4421

Email: asahi@asahi-america.com

Internet: www.asahi-america.com

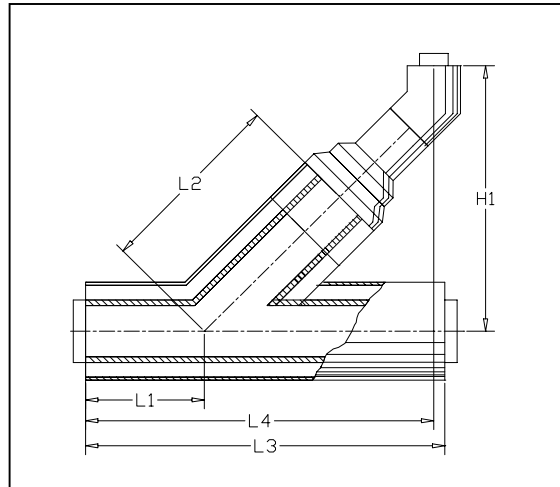


ASAHI/AMERICA®

Duo-Pro Double Contained Piping Systems

PVDF x PRO 45 45° Reducing Lateral w/1/8 bend

Part Number 6121+(size code)



SIZE (Size Code)	L1 (in.)	L2 (in.)	L3 (in.)	L4 (in.)	H1 (in.)
[3x2][6x4](743)	8	10.25	24	21.50	20.25
[4x2][8x4](744)	10	16.50	30	30.00	26.25
[4x3][8x6](746)	10	16.50	36	28.00	25.75
[6x3][10x6](747)	12	18.25	36	32.75	29.25
[6x4][10x8](748)	12	18.25	36	31.00	28.00
[8x3][12x6](896)	14	22.75	42	40.50	34.75
[8x4][12x8](895)	14	22.75	42	38.75	33.50
[8x6][12x10](893)	14	22.75	42	35.75	31.25
[10x4][14x8](903)	16	25.00	48	43.50	37.00
[10x6][14x10](902)	16	25.00	48	40.50	34.50
[10x8][14x12](899)	16	25.00	48	37.00	32.00
[12x4][16x8](904)	18	26.50	54	47.00	39.00
[12x6][16x10](915)	18	26.50	54	44.00	37.00
[12x8][16x12](910)	18	26.50	54	41.50	35.00

Note:

Containment Lateral is Extrusion Welded



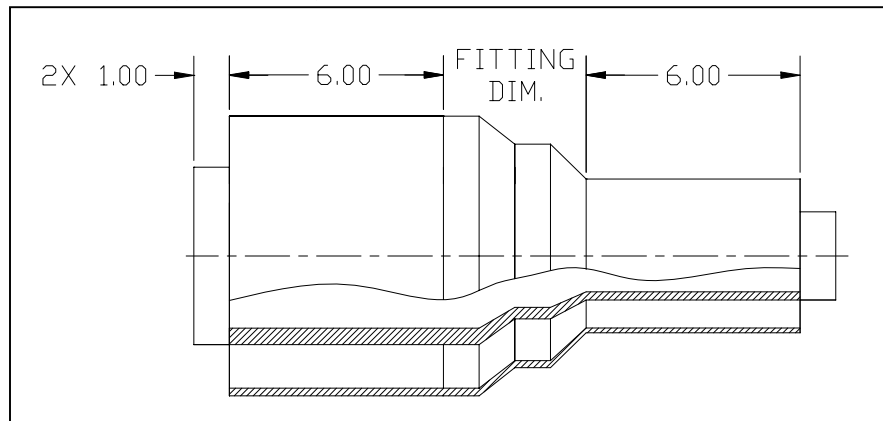
ASAHI/AMERICA®

Duo-Pro Double Contained Piping Systems

PVDF x PRO 45

Concentric Reducer

Part Number 6115+(size code)



SIZE (Size Code)	L1 (in.)
[3x2][6x4] (743)	15.25
[4x2][8x4] (744)	17.75
[4x3][8x6] (746)	14.50
[6x4][10x8] (748)	15.75
[6x3][10x6] (747)	17.50
[6x2][10x4] (892)	21.00
[8x6][12x10] (893)	16.00
[8x4][12x8] (895)	19.00
[8x3][12x6] (896)	21.00
[10x8][14x12] (899)	14.50
[10x6][14x10] (902)	18.50
[10x4][14x8] (903)	21.50



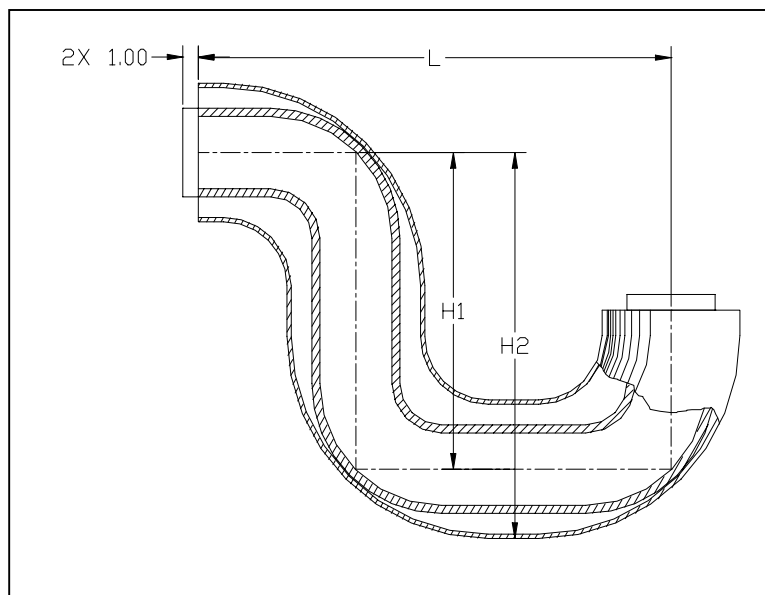
ASAHI/AMERICA®

Duo-Pro Double Contained Piping Systems

PVDF x PRO 45

P-Trap

Part Number 6107+(size code)



SIZE (Size Code)	L (in.)	H1 (in.)	H2 (in.)
2 x 4 (420)	14.25	9.25	11.75
3 x 6 (531)	21.00	13.75	17.50
4 x 8 (583)	25.50	17.00	21.00
6 x 10 (627)	34.00	22.50	27.50
8 x 12 (660)	39.87	26.50	32.43



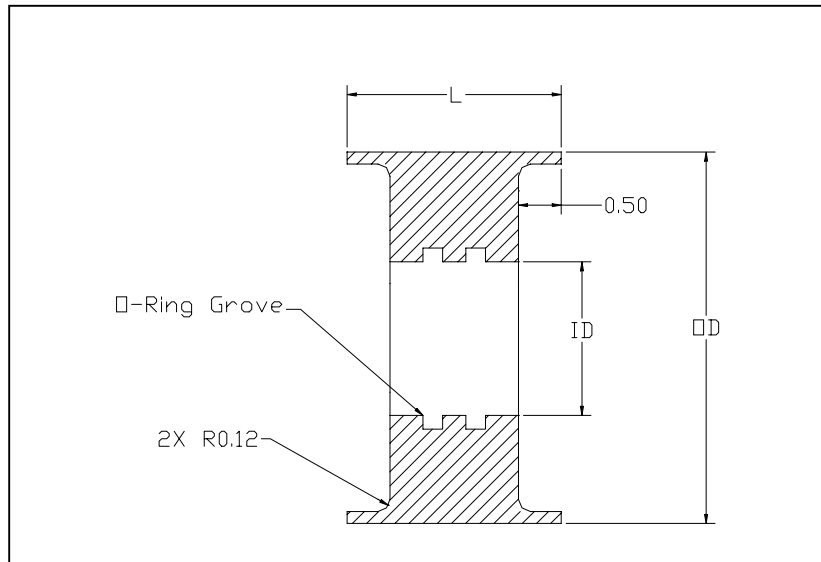
ASAHI/AMERICA®

Duo-Pro Double Contained Piping Systems

PVDF x PRO 45

Solid Dogbone

Part Number 6132+(size code)



SIZE (Size Code)	OD (in.)	ID (in.)	L (in.)
2 x 4 (420)	4.33	2.56	3.0
3 x 6 (531)	6.30	3.62	3.0
4 x 8 (583)	7.87	4.41	3.0
6 x 10 (627)	9.84	6.38	3.0
8 x 12 (660)	12.40	7.96	3.0
10 x 14 (702)	13.98	9.92	2.25
12 x 16 (690)	15.75	12.48	2.25

Asahi America Inc. 35 Green St Malden Ma 02148 Office 1-781-321-5409 Fax 1-781-321-4421

Email: asahi@asahi-america.com

Internet: www.asahi-america.com

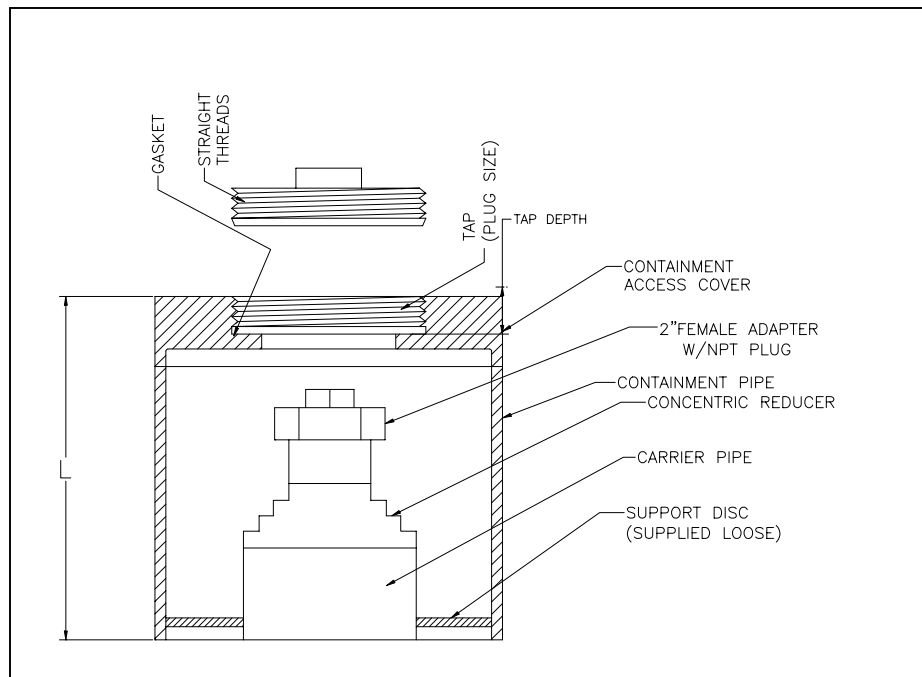


Duo-Pro Double Contained Piping Systems

PVDF x PRO 45

Cleanout with Plug

Part Number 6177+(size code)



SIZE (Size Code)	L1 (in.)	TAP (in.)	TAP DEPTH (in.)
2 x 4 (420)	12.0	3	1.12
3 x 6 (531)	12.0	4	1.26
4 x 8 (583)	12.0	4	1.26
6 x 10 (627)	12.0	6	1.52



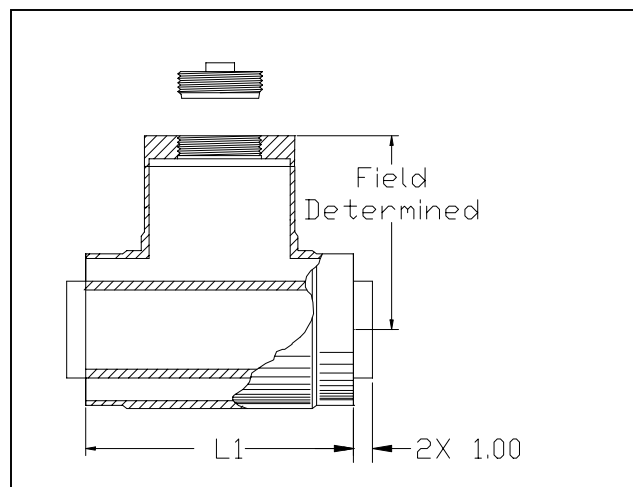
ASAHI/AMERICA®

Duo-Pro Double Contained Piping Systems

PVDF x PRO 45

Access Tee W/Threaded Plug

Part Number 6104+(size code)



SIZE (Size Code)	L1 (in.)
2 x 4 (420)	8.46
3 x 6 (531)	10.49
4 x 8 (583)	13.39
6 x 10 (627)	17.24
8 x 12 (660)	21.06
10 x 14 (702)	26.93
12 x 16 (690)	27.36



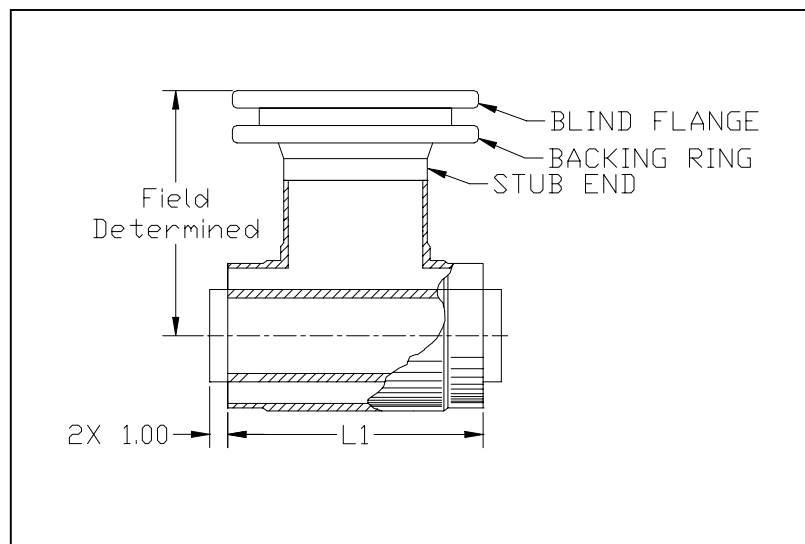
ASAHI/AMERICA®

Duo-Pro Double Contained Piping Systems

PVDF x PRO 45

Access Tee W/Flanged Cover

Part Number 6102+(size code)



SIZE (Size Code)	L1 (in.)
2 x 4 (420)	8.47
3 x 6 (531)	10.49
4 x 8 (583)	13.39
6 x 10 (627)	17.25
8 x 12 (660)	21.06
10 x 14 (702)	26.93
12 x 16 (690)	27.36

Asahi America Inc. 35 Green St Malden Ma 02148 Office 1-781-321-5409 Fax 1-781-321-4421

Email: asahi@asahi-america.com

Internet: www.asahi-america.com



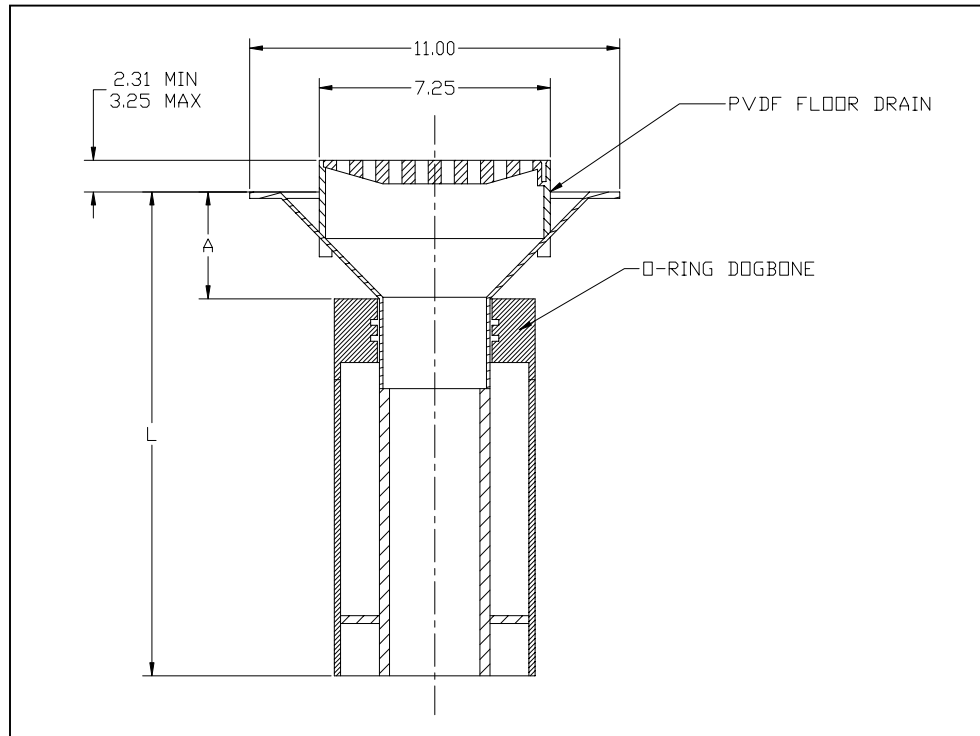
ASAHI/AMERICA®

Duo-Pro Double Contained Piping Systems

Pro150x45

NON ADJ- Floor Drain

Part Number 6130+(size code)



SIZE (Size Code)	L1 (in.)	A (in.)
2 x 4 (420)	18.0	4.50
3 x 6 (531)	18.0	4.60
4 x 8 (583)	18.0	4.87
6 x 10 (627)	18.0	3.65

Asahi America Inc. 35 Green St Malden Ma 02148 Office 1-781-321-5409 Fax 1-781-321-4421

Email: asahi@asahi-america.com

Internet: www.asahi-america.com



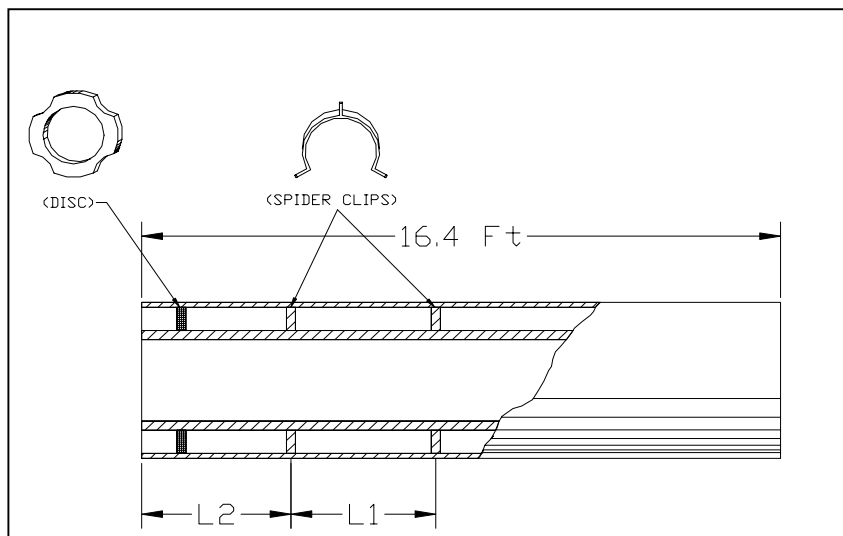
ASAHI/AMERICA®

Duo-Pro Double Contained Piping Systems

PRO 150x150

Simultaneous Pipe

Part Number 5210+(size code)



SIZE (Size Code)	L1 (ft.)	L2 (ft.)	# Spider Clips
1 x 3 (134)	3.75	2.5	4
2 x 4 (420)	3.50	3.0	4
3 x 6 (531)	5.25	3.0	3
4 x 8 (583)	5.25	3.0	3
6 x 10 (627)	5.25	3.0	3
8 x 12 (660)	5.25	3.0	3
10 x 14 (702)	5.25	3.0	3

Asahi America Inc. 35 Green St Malden Ma 02148 Office 1-781-321-5409 Fax 1-781-321-4421

Email: asahi@asahi-america.com

Internet: www.asahi-america.com



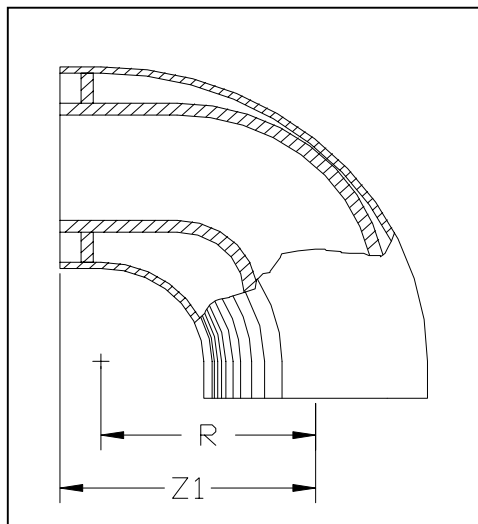
ASAHI/AMERICA®

Duo-Pro Double Contained Piping Systems

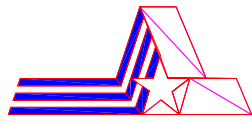
PRO 150x150

90° ELBOW

Part Number 5203+(size code)



SIZE (Size Code)	Z1 (in.)	R (in.)
1 x 3 (134)	3.94	3.35
2 x 4 (420)	4.88	4.13
3 x 6 (531)	7.08	6.10
4 x 8 (583)	7.87	7.68
6 x 10 (627)	11.22	10.04
8 x 12 (660)	13.39	11.81
10 x 14 (702)	13.40	11.81



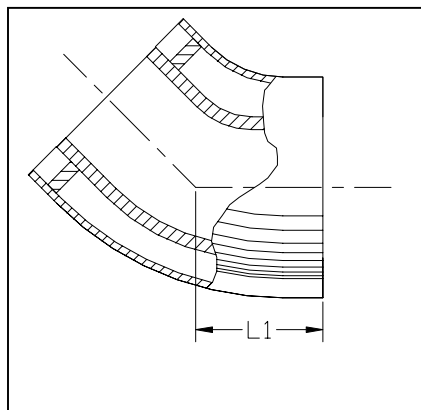
ASAHI/AMERICA®

Duo-Pro Double Contained Piping Systems

Pro150x150

45° ELBOW

Part Number 5205+(size code)



SIZE (Size Code)	L1 (in.)
1 x 3 (134)	4.00
2 x 4 (420)	4.25
3 x 6 (531)	6.00
4 x 8 (583)	6.50
6 x 10 (627)	8.50
8 x 12 (660)	10.00
10 x 14* (702)	8.50

*14" CONTAINMENT IS
SEGMENTED



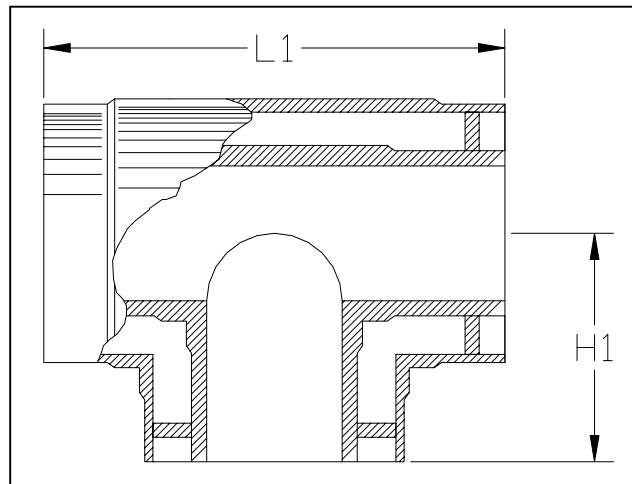
ASAHI/AMERICA®

Duo-Pro Double Contained Piping Systems

Pro150x150

45° TEE

Part Number 5201+(size code)



SIZE (Size Code)	L1 (in.)	H1 (in.)
1 x 3 (134)	8.15	4.17
2 x 4 (420)	9.45	4.72
3 x 6 (531)	12.40	6.30
4 x 8 (583)	15.59	7.80
6 x 10 (627)	18.50	9.25
8 x 12 (660)	21.26	10.83
10 x 14 (702)	26.57	13.46



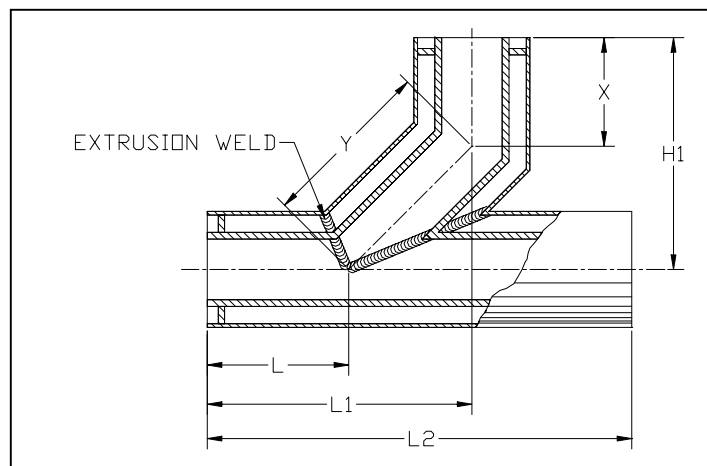
ASAHI/AMERICA®

Duo-Pro Double Contained Piping Systems

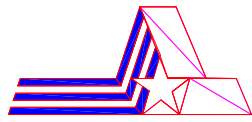
Pro150x150

45° Sanitary Tee

Part Number 5227+(size code)



SIZE (Size Code)	L (in.)	L1 (in.)	L2 (in.)	H1 (in.)	X (in.)	Y (in.)
1 X 3 (134)	6	12	18	10	4	8.49
2 x 4 (420)	6	12	18	10	4	8.49
3 x 6 (531)	8	16	24	13	5	11.31
4 x 8 (583)	10	20	30	16	6	14.14
6 x 10 (627)	12	24	36	18.50	6.50	16.97
8 x 12 (660)	14	28	42	21.75	7.75	19.80
10 x 14 (702)	16	32	48	24.25	8.25	22.63



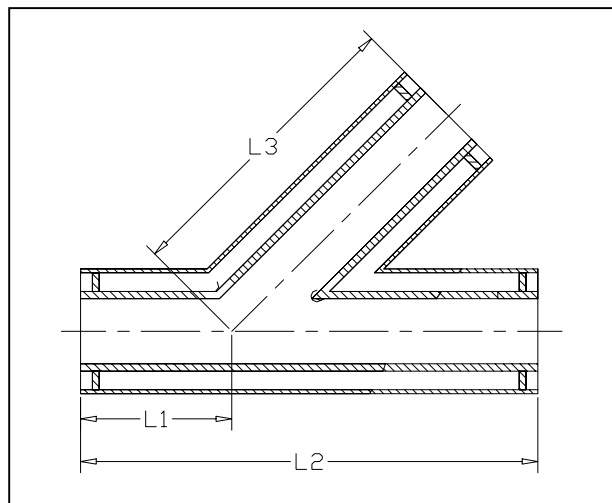
ASAHI/AMERICA®

Duo-Pro Double Contained Piping Systems

Pro150x150

45° Lateral

Part Number 5239+(size code)



SIZE (Size Code)	L1 (in.)	L2 (in.)	L3 (in.)
1 x 3 (134)	6	18	12
2 x 4 (420)	6	18	12
3 x 6 (531)	8	24	16
4 x 8 (583)	10	30	20
6 x 10 (627)	12	36	24
8 x 12 (660)	14	42	28
10 x 14 (702)	16	48	32

Asahi America Inc. 35 Green St Malden Ma 02148 Office 1-781-321-5409 Fax 1-781-321-4421

Email: asahi@asahi-america.com

Internet: www.asahi-america.com



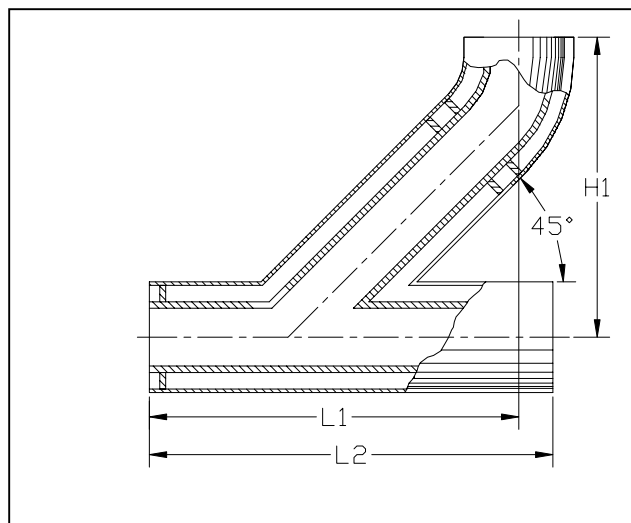
ASAHI/AMERICA®

Duo-Pro Double Contained Piping Systems

Pro150x150

45° Lateral w/1/8 Bend

Part Number 5237+(size code)

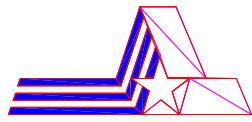


SIZE (Size Code)	L1 (in.)	L2 (in.)	H1 (in.)
1 x 3 (134)	17.25	18.0	15.25
2 x 4 (420)	18.00	18.0	16.50
3 x 6 (531)	23.25	24.0	21.50
4 x 8 (583)	28.50	30.0	25.00
6 x 10 (627)	34.75	36.0	31.25
8 x 12 (660)	40.75	42.0	36.75
10 x 14 (702)	44.50	48.0	37.00

Asahi America Inc. 35 Green St Malden Ma 02148 Office 1-781-321-5409 Fax 1-781-321-4421

Email: asahi@asahi-america.com

Internet: www.asahi-america.com



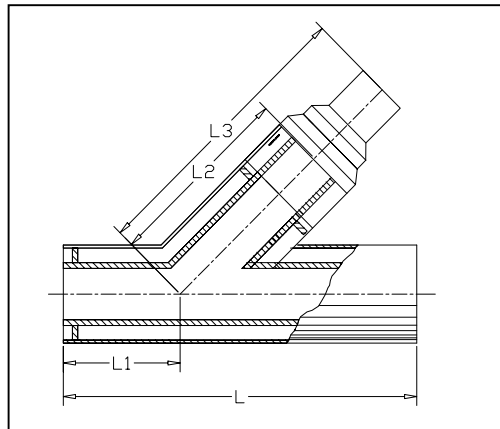
ASAHI/AMERICA®

Duo-Pro Double Contained Piping Systems

Pro150x150

45° Reducing Lateral

Part Number 5235+(size code)



SIZE (Size Code)	L1 (in.)	L (in.)	L2 (in.)	L3 (in.)
[3x2][6x4](743)	8	24	10.25	16.50
[4x2][8x4](744)	10	30	16.5	25.25
[4x3][8x6](746)	10	30	16.5	22.00
[6x3][10x6](747)	12	36	18.25	27.00
[6x4][10x8](748)	12	36	18.25	25.25
[8x3][12x6](896)	14	42	22.75	34.50
[8x4][12x8](895)	14	42	22.75	32.75
[8x6][12x10](893)	14	42	22.75	29.75
[10x4][14x8](903)	16	48	25	37.50
[10x6][14x10](902)	16	48	25	34.50
[10x8][14x12](899)	16	48	25	30.50

Asahi America Inc. 35 Green St Malden Ma 02148 Office 1-781-321-5409 Fax 1-781-321-4421

Email: asahi@asahi-america.com

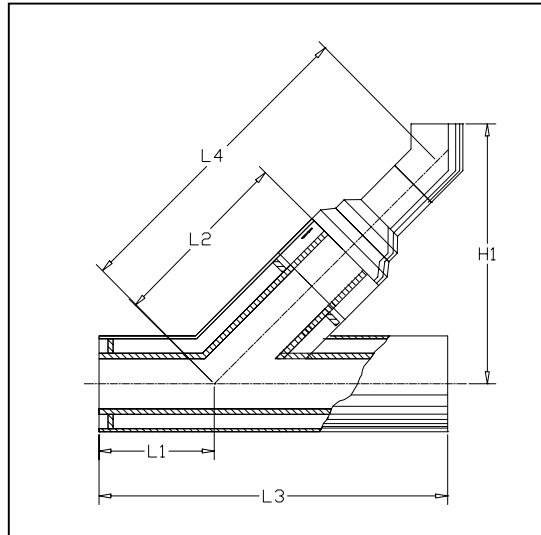
Internet: www.asahi-america.com



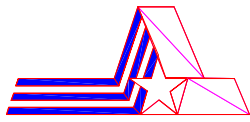
ASAHI/AMERICA®

Duo-Pro Double Contained Piping Systems

Pro150x150
45° Reducing Lateral
W/1/8 bend
 Part Number 5237+(size code)



SIZE (Size Code)	L1 (in.)	L2 (in.)	L3 (in.)	H1 (in.)
[2x1][4x3](740)	8	8.00	24	15.50
[3x2][6x4](743)	8	10.25	24	20.25
[4x2][8x4](744)	10	16.50	30	26.25
[4x3][8x6](746)	10	16.50	36	25.75
[6x3][10x6](747)	12	18.25	36	29.25
[6x4][10x8](748)	12	18.25	36	28.00
[8x3][12x6](896)	14	22.75	42	34.75
[8x4][12x8](895)	14	22.75	42	33.50
[8x6][12x10](893)	14	22.75	42	31.25
[10x4][14x8](903)	16	25.00	48	37.00
[10x6][14x10](902)	16	25.00	48	34.50
[10x8][14x12](899)	16	25.00	48	32.00



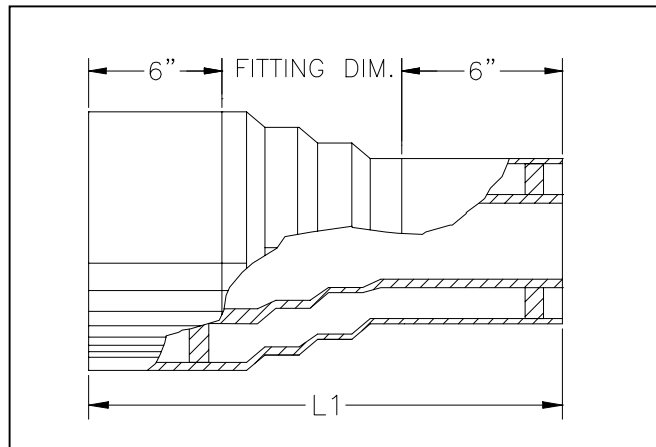
ASAHI/AMERICA®

Duo-Pro Double Contained Piping Systems

Pro150x150

Concentric Reducer

Part Number 5256+(size code)



SIZE (Size Code)	L1 (in.)
[3x1][6x3] (741)	16.50
[3x2][6x4] (743)	15.25
[4x2][8x4] (744)	17.75
[4x3][8x6] (746)	14.50
[6x4][10x8] (748)	15.75
[6x3][10x6] (747)	17.75
[6x2][10x4] (892)	19.00
[8x6][12x10] (893)	16.00
[8x4][12x8] (895)	19.00
[8x3][12x6] (896)	21.00
[10x8][14x12] (899)	14.50
[10x6][14x10] (902)	18.50
[10x4][14x8] (903)	21.50

Asahi America Inc. 35 Green St Malden Ma 02148 Office 1-781-321-5409 Fax 1-781-321-4421

Email: asahi@asahi-america.com

Internet: www.asahi-america.com



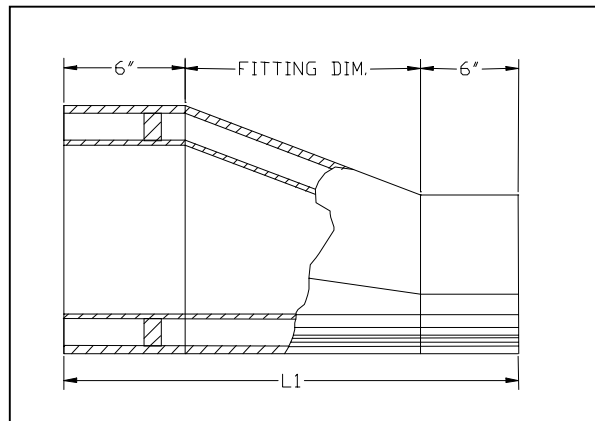
ASAHI/AMERICA®

Duo-Pro Double Contained Piping Systems

Pro150x150

Eccentric Reducer

Part Number 5253+(size code)



SIZE (Size Code)	L1 (in.)
[3x1][6x3] (741)	16.50
[3x2][6x4] (743)	15.50
[4x2][8x4] (744)	18.00
[4x3][8x6] (746)	14.50
[6x4][10x8] (748)	15.25
[6x3][10x6] (747)	18.00
[6x2][10x4] (892)	21.50
[8x6][12x10] (893)	16.50
[8x4][12x8] (895)	19.50
[8x3][12x6] (896)	22.50
[10x8][14x12] (899)	14.75
[10x6][14x10] (902)	19.50
[10x4][14x8] (903)	22.75



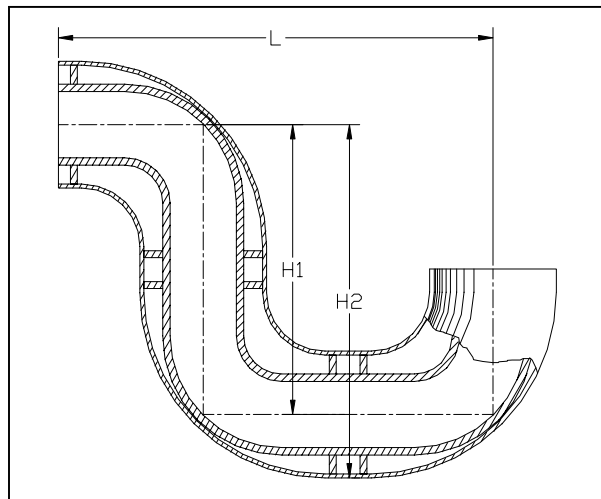
ASAHI/AMERICA®

Duo-Pro Double Contained Piping Systems

Pro150x150

P-Trap

Part Number 5213+(size code)

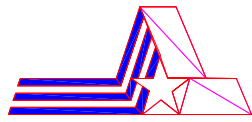


SIZE (Size Code)	L (in.)	H1 (in.)	H2 (in.)
1 x 3 (134)	11.57	7.63	9.40
2 x 4 (420)	14.42	9.53	11.70
3 x 6 (531)	21.02	13.93	17.08
4 x 8 (583)	23.36	15.49	19.43
6 x 10 (627)	33.44	22.21	27.13
8 x 12 (660)	39.95	26.55	32.75

Asahi America Inc. 35 Green St Malden Ma 02148 Office 1-781-321-5409 Fax 1-781-321-4421

Email: asahi@asahi-america.com

Internet: www.asahi-america.com



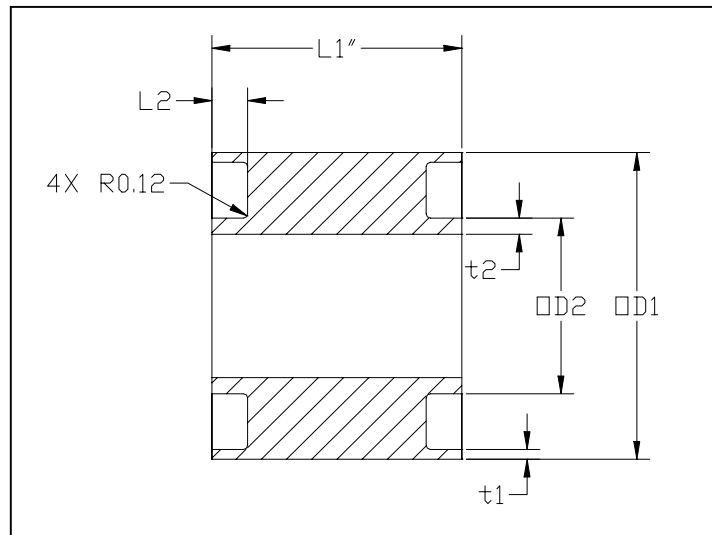
ASAHI/AMERICA®

Duo-Pro Double Contained Piping Systems

Pro150x150

Solid Dogbone

Part Number 5216+(size code)

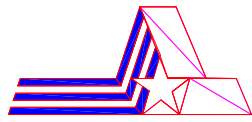


SIZE (Size Code)	OD2 (in.)	OD1 (in.)	L1 (in.)	L2 (in.)	t2 (in.)	t1 (in.)
1 x 3 (134)	1.26	3.54	3.0	.500	.118	.323
2 x 4 (420)	2.48	4.33	3.0	.500	.228	.394
3 x 6 (531)	3.54	6.30	3.0	.500	.323	.575
4 x 8 (583)	4.33	7.87	3.0	.500	.394	.717
6 x 10 (627)	6.30	9.84	3.0	.500	.575	.894
8 x 12 (660)	7.87	12.4	3.0	.500	.717	1.126
10 x 14 (702)	9.84	13.98	2.25	.500	.894	1.268

Asahi America Inc. 35 Green St Malden Ma 02148 Office 1-781-321-5409 Fax 1-781-321-4421

Email: asahi@asahi-america.com

Internet: www.asahi-america.com



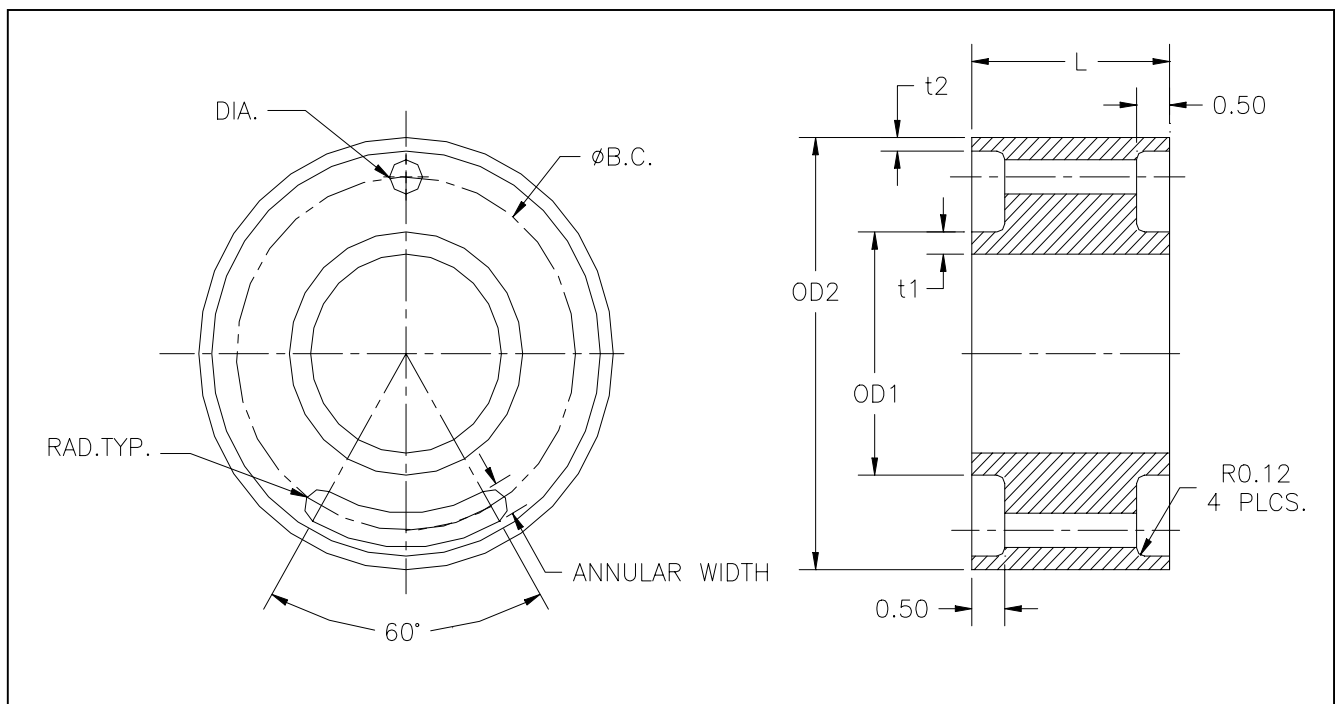
ASAHI/AMERICA®

Duo-Pro Double Contained Piping Systems

Pro150x150

Annular Dogbone

Part Number 5218+(size code)



SIZE (Size Code)	OD2 (in.)	OD1 (in.)	L (in.)	B.C (in.)	t1 (in.)	t2 (in.)	Annular Dia. (in.)
1 x 3 (134)	1.26	3.54	3.0	2.11	.114	.323	0.50
2 x 4 (420)	2.48	4.33	3.0	2.91	.228	.394	0.38
3 x 6 (531)	3.54	6.30	3.0	4.40	.323	.575	0.50
4 x 8 (583)	4.33	7.87	3.0	5.44	.394	.717	0.75
6 x 10 (627)	6.30	9.84	3.0	7.04	.575	.894	0.63
8 x 12 (660)	7.87	12.40	3.0	9.14	.717	1.126	0.75
10 x 14 (702)	9.84	13.98	2.25	10.64	.894	1.268	0.63

Asahi America Inc. 35 Green St Malden Ma 02148 Office 1-781-321-5409 Fax 1-781-321-4421

Email: asahi@asahi-america.com

Internet: www.asahi-america.com



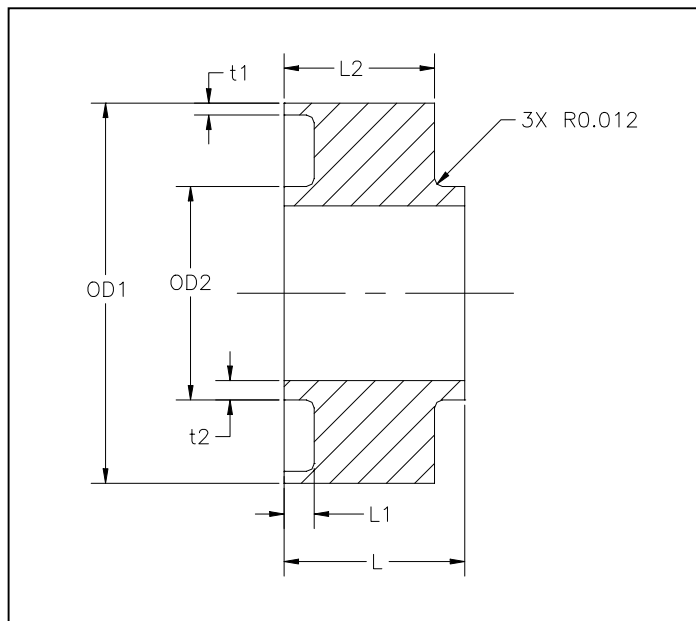
ASAHI/AMERICA®

Duo-Pro Double Contained Piping Systems

Pro150x150

End Termination

Part Number 5247+(size code)



SIZE (Size Code)	OD2 (in.)	OD1 (in.)	L (in.)	L1 (in.)	L2 (in.)	t2 (in.)	t1 (in.)
1 x 3 (134)	1.26	3.54	3.00	.50	2.25	.114	.323
2 x 4 (420)	2.48	4.33	3.00	.50	2.25	.228	.394
3 x 6 (531)	3.54	6.30	3.00	.50	2.25	.323	.575
4 x 8 (583)	4.33	7.87	3.00	.50	2.25	.394	.717
6 x 10 (627)	6.30	9.84	3.00	.50	2.25	.575	.894
8 x 12 (660)	7.87	12.40	3.00	.50	2.25	.717	1.126
10 x 14 (702)	9.84	13.98	2.25	.50	1.50	.894	1.268

Asahi America Inc. 35 Green St Malden Ma 02148 Office 1-781-321-5409 Fax 1-781-321-4421

Email: asahi@asahi-america.com

Internet: www.asahi-america.com



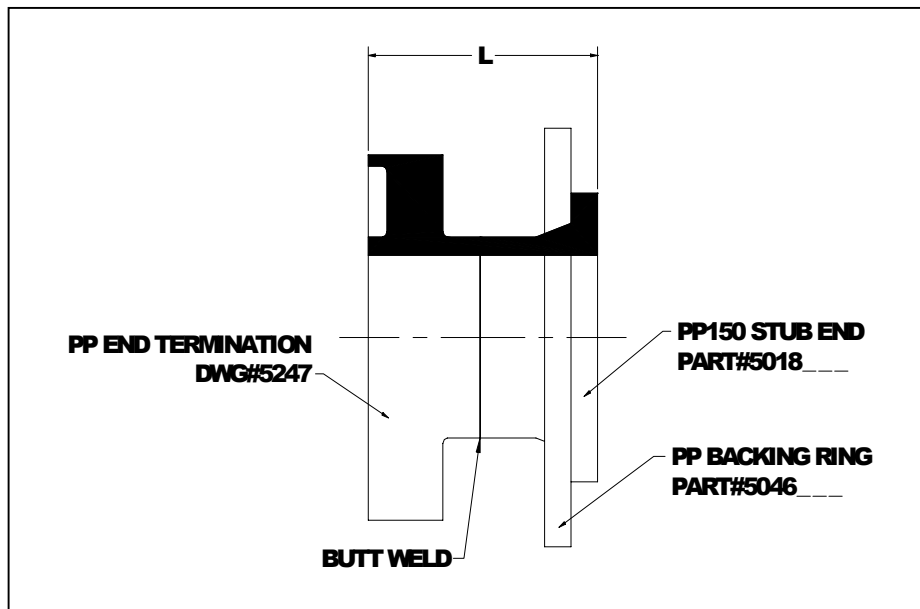
ASAHI/AMERICA®

Duo-Pro Double Contained Piping Systems

Pro150x150

Flanged End Termination

Part Number 5249+(size code)



SIZE (Size Code)	STUB & RING SIZE	L (in.)
1 x 3 (134)	1"	4.75
2 x 4 (420)	2"	4.75
3 x 6 (531)	3"	6.00
4 x 8 (583)	4"	6.00
6 x 10 (627)	6"	6.00
8 x 12 (660)	8"	6.00
10 x 14 (702)	10"	7.00

Asahi America Inc. 35 Green St Malden Ma 02148 Office 1-781-321-5409 Fax 1-781-321-4421

Email: asahi@asahi-america.com

Internet: www.asahi-america.com



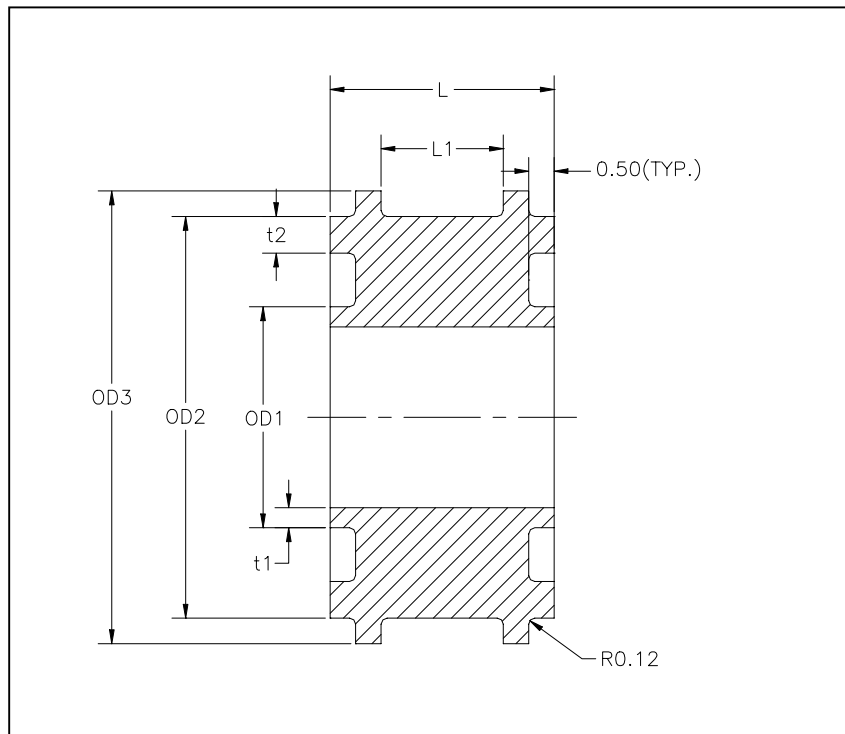
ASAHI/AMERICA®

Duo-Pro Double Contained Piping Systems

Pro150x150

Restraint Dogbone

Part Number 5217+(size code)



SIZE (Size Code)	OD1 (in.)	OD2 (in.)	OD3 (in.)	L (in.)	L1 (in.)	t1 (in.)	t2 (in.)
1 x 3 (134)	1.26	3.54	4.54	3.60	1.60	.114	.323
2 x 4 (420)	2.48	4.33	5.33	3.60	1.60	.228	.394
3 x 6 (531)	3.54	6.30	7.30	4.40	2.40	.323	.575
4 x 8 (583)	4.33	7.87	8.87	4.40	2.40	.394	.717
6 x 10 (627)	6.30	9.84	10.84	3.625	1.625	.575	.894
8 x 12 (660)	7.87	12.40	13.40	3.625	1.625	.717	1.126

CONSULT FACTORY FOR LARGER SIZES

Asahi America Inc. 35 Green St Malden Ma 02148 Office 1-781-321-5409 Fax 1-781-321-4421

Email: asahi@asahi-america.com

Internet: www.asahi-america.com



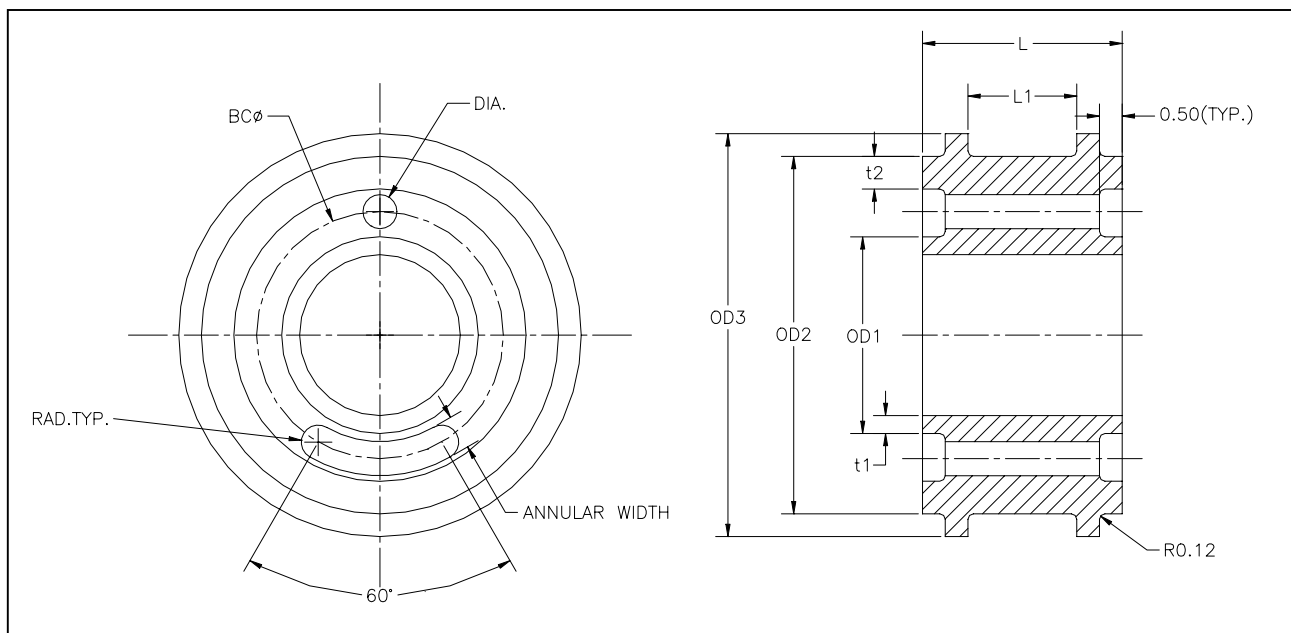
ASAHI/AMERICA®

Duo-Pro Double Contained Piping Systems

Pro150x150

Annular Restraint Dogbone

Part Number 5219+(size code)



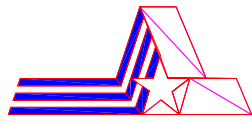
SIZE (Size Code)	OD1 (in.)	OD2 (in.)	OD3 (in.)	L (in.)	L1 (in.)	B.C (in.)	t1 (in.)	t2 (in.)	Annular Dia. (in.)
1 x 3 (134)	1.26	3.54	4.54	3.60	1.60	2.11	.114	.323	0.50
2 x 4 (420)	2.48	4.33	5.33	3.60	1.60	2.91	.228	.394	0.38
3 x 6 (531)	3.54	6.30	7.30	4.40	2.40	4.40	.323	.575	0.50
4 x 8 (583)	4.33	7.87	8.87	4.40	2.40	5.44	.394	.717	0.75
6 x 10 (627)	6.30	9.84	10.84	3.625	1.625	7.04	.575	.894	0.63
8 x 12 (660)	7.87	12.40	13.40	3.625	1.625	9.14	.717	1.126	0.75

CONSULT FACTORY FOR LARGER SIZES

Asahi America Inc. 35 Green St Malden Ma 02148 Office 1-781-321-5409 Fax 1-781-321-4421

Email: asahi@asahi-america.com

Internet: www.asahi-america.com



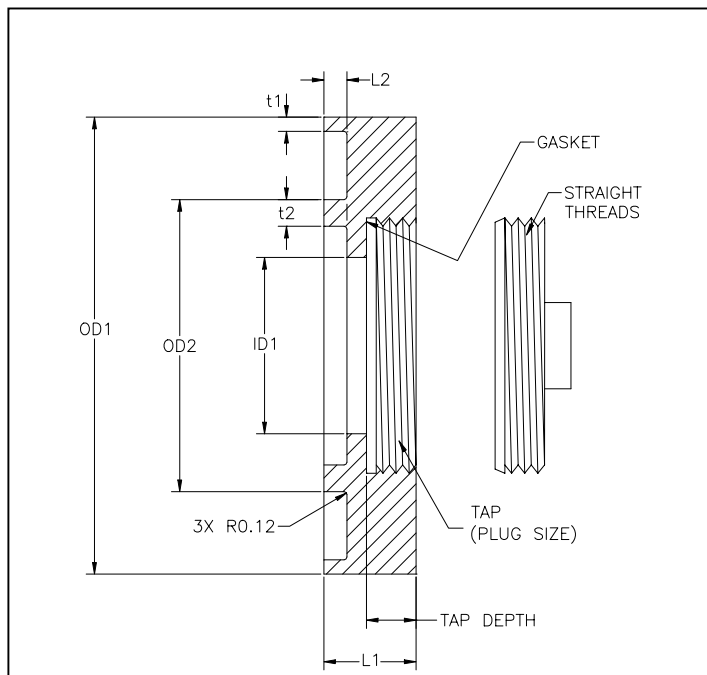
ASAHI/AMERICA®

Duo-Pro Double Contained Piping Systems

Pro150x150

Cleanout with Plug

Part Number 5232+(size code)



SIZE (Size Code)	OD2 (in.)	OD1 (in.)	L1 (in.)	L2 (in.)	ID1 (in.)	t2 (in.)	t1 (in.)	TAP (in.)	TAP DEPTH (in.)
1 x 3 (134)	1.26	3.54	3.0	.50	1.00	.118	.323	2	0.93
2 x 4 (420)	2.48	4.33	3.0	.50	2.00	.228	.394	3	1.12
3 x 6 (531)	3.54	6.30	3.0	.50	2.50	.323	.575	4	1.26
4 x 8 (583)	4.33	7.87	3.0	.50	3.00	.394	.717	4	1.26
6 x 10 (627)	6.30	9.84	3.0	.50	5.00	.575	.894	6	1.52
8 x 12 (660)	7.87	12.40	3.0	.50	5.00	.717	1.126	6	1.52
10 x 14 (702)	9.84	13.98	2.25	.50	5.00	.898	1.268	6	1.52

Asahi America Inc. 35 Green St Malden Ma 02148 Office 1-781-321-5409 Fax 1-781-321-4421

Email: asahi@asahi-america.com

Internet: www.asahi-america.com

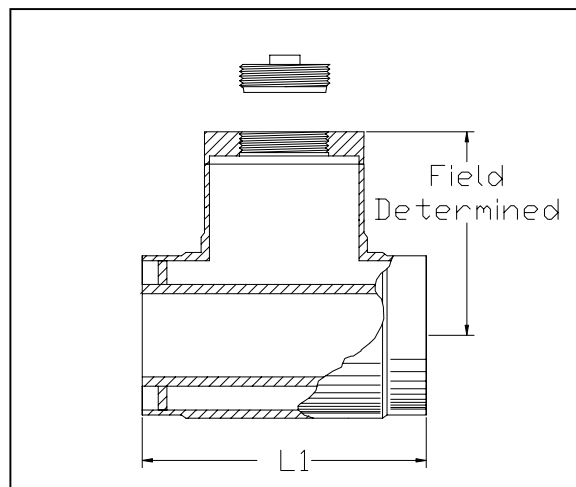


Duo-Pro Double Contained Piping Systems

Pro150x150

Access Tee W/Threaded Plug

Part Number 5204+(size code)



SIZE (Size Code)	L1 (in.)
1 x 3 (134)	8.15
2 x 4 (420)	9.45
3 x 6 (531)	12.40
4 x 8 (583)	15.59
6 x 10 (627)	18.50
8 x 12 (660)	21.26
10 x 14 (702)	26.57



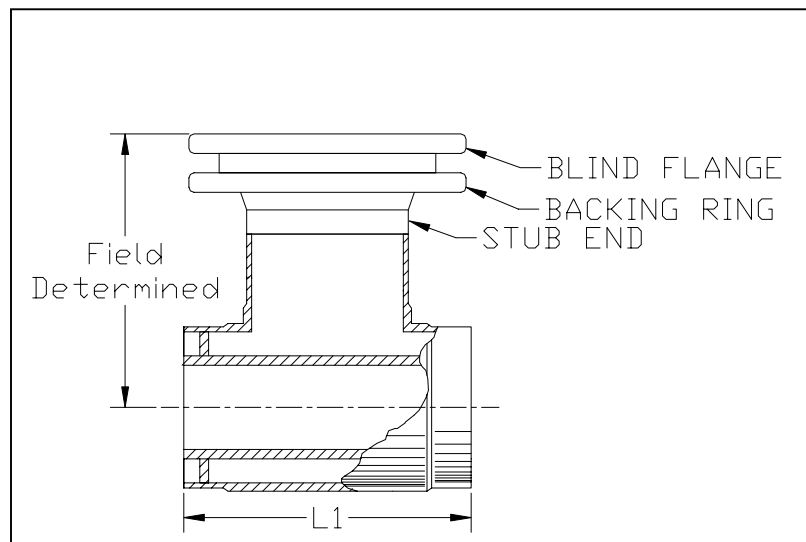
ASAHI/AMERICA®

Duo-Pro Double Contained Piping Systems

Pro150x150

Access Tee W/Flanged Cover

Part Number 5202+(size code)

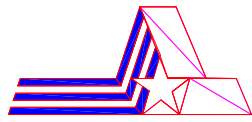


SIZE (Size Code)	L1 (in.)
1 x 3 (134)	8.15
2 x 4 (420)	9.45
3 x 6 (531)	12.40
4 x 8 (583)	15.59
6 x 10 (627)	18.50
8 x 12 (660)	21.26
10 x 14 (702)	26.57

Asahi America Inc. 35 Green St Malden Ma 02148 Office 1-781-321-5409 Fax 1-781-321-4421

Email: asahi@asahi-america.com

Internet: www.asahi-america.com



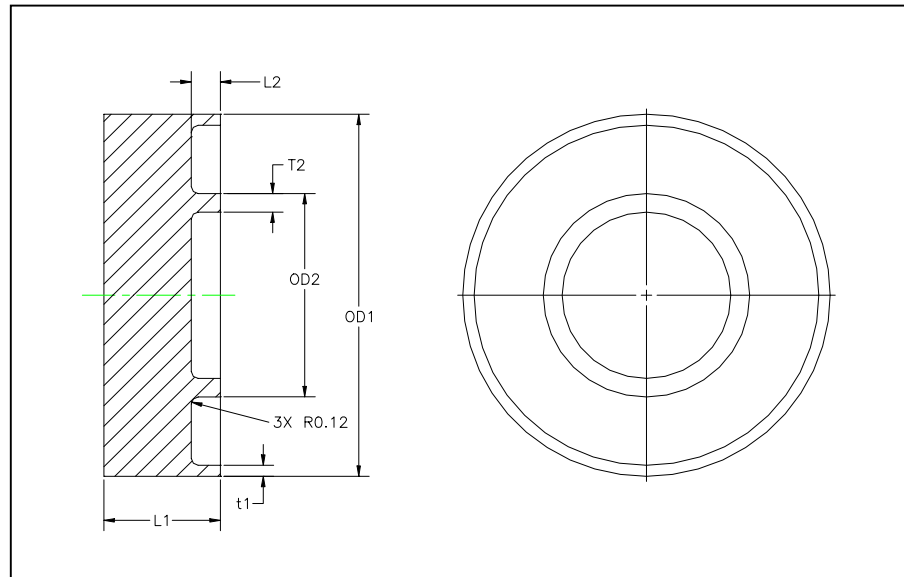
ASAHI/AMERICA®

Duo-Pro Double Contained Piping Systems

Pro150x150

Cap

Part Number 5220+(size code)



SIZE (Size Code)	OD2 (in.)	OD1 (in.)	L1 (in.)	L2 (in.)	t2 (in.)	t1 (in.)
1 x 3 (134)	1.26	3.54	2.0	.50	.118	.323
2 x 4 (420)	2.48	4.33	2.0	.50	.228	.394
3 x 6 (531)	3.54	6.30	2.0	.50	.323	.575
4 x 8 (583)	4.33	7.87	2.0	.50	.394	.717
6 x 10 (627)	6.30	9.84	2.0	.50	.575	.894
8 x 12 (660)	7.87	12.4	2.0	.50	.717	1.126
10 x 14 (702)	9.84	13.98	2.0	.50	.894	1.268

Asahi America Inc. 35 Green St Malden Ma 02148 Office 1-781-321-5409 Fax 1-781-321-4421

Email: asahi@asahi-america.com

Internet: www.asahi-america.com



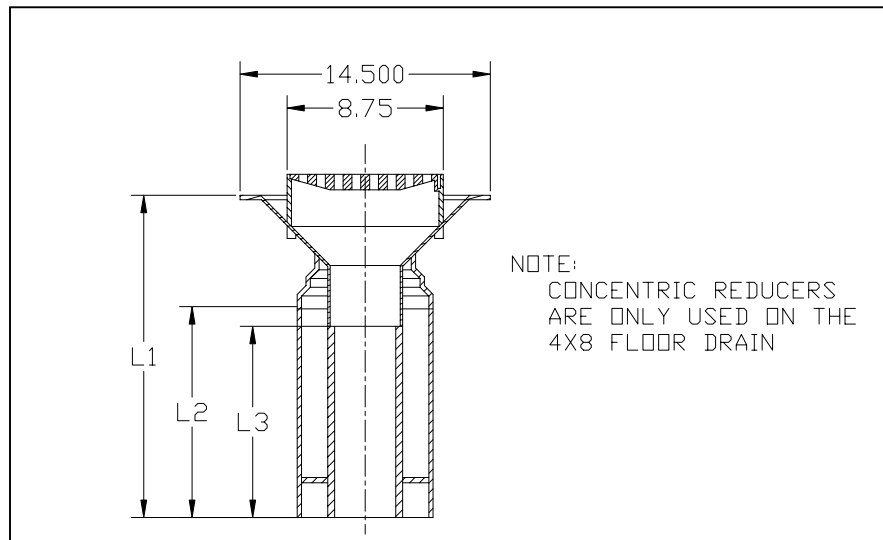
ASAHI/AMERICA®

Duo-Pro Double Contained Piping Systems

Pro150x150

ADJ- Floor Drain

Part Number 5260+(size code)



SIZE (Size Code)	L1 (in.)	L2 (in.)	L3 (in.)
2 x 4 (420)	18.0	15.5	6.0 + 3x2 EXT. LEG REDUCER
3 x 6 (531)	18.0	15.75	11.75
4 x 8 (583)	18.0	12	11.25
6 x 10 (627)	18.0	17	12



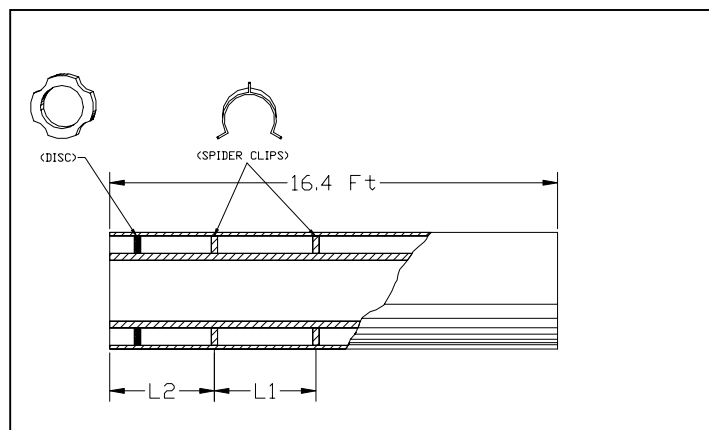
ASAHI/AMERICA®

Duo-Pro Double Contained Piping Systems

Pro150 x 45

Simultaneous Pipe

Part Number 5312+(size code)



SIZE (Size Code)	L1 (ft.)	L2 (ft.)	# Spider Clips
2 x 4 (420)	3.50	3.0	4
3 x 6 (531)	5.25	3.0	3
4 x 8 (583)	5.25	3.0	3
6 x 10 (627)	5.25	3.0	3
8 x 12 (660)	5.25	3.0	3
10 x 14 (702)	5.25	3.0	3
12 x 16 (690)	7.5	3.5	2
14 x 18 (710)	7.5	3.5	2
16 x 20 (726)	7.5	3.5	2

Asahi America Inc. 35 Green St Malden Ma 02148 Office 1-781-321-5409 Fax 1-781-321-4421

Email: asahi@asahi-america.com

Internet: www.asahi-america.com



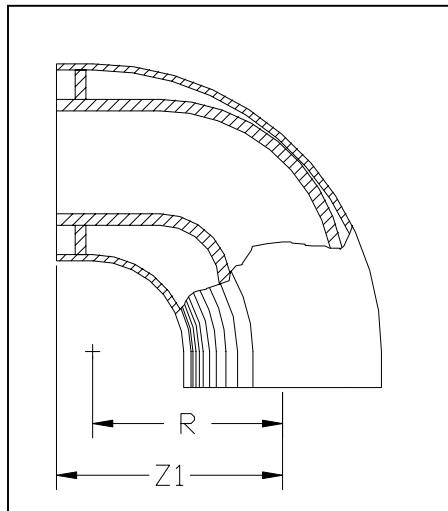
ASAHI/AMERICA®

Duo-Pro Double Contained Piping Systems

Pro150 x 45

90° ELBOW

Part Number 5304+(size code)



SIZE (Size Code)	Z1 (in.)	R (in.)
2 x 4 (420)	4.72	4.33
3 x 6 (531)	6.69	6.10
4 x 8 (583)	8.66	7.76
6 x 10 (627)	11.41	10.43
8 x 12 (660)	13.38	11.81
10 x 14 (702)	13.39	11.81
12 x 16 (690)	13.58	11.81
14 x 18 (710)	17.71	15.80
16 x 20 (726)	17.71	15.80



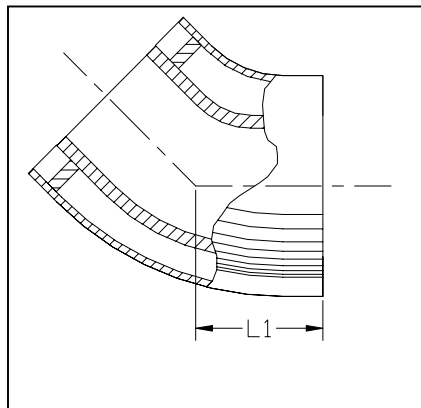
ASAHI/AMERICA®

Duo-Pro Double Contained Piping Systems

Pro 150 x 45

45° ELBOW

Part Number 5307+(size code)



SIZE (Size Code)	L1 (in.)
2 x 4 (420)	5.00
3 x 6 (531)	6.00
4 x 8 (583)	6.00
6 x 10 (627)	6.00
8 x 12 (660)	6.5
10 x 14 (702)	8.25
12 x 16 (690)	9.50
14 x 18 (710)	12.00
16 x 20 (726)	14.00



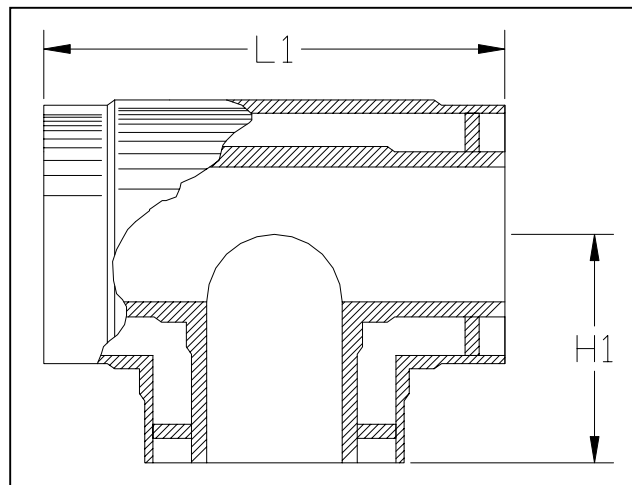
ASAHI/AMERICA®

Duo-Pro Double Contained Piping Systems

Pro150x45

45° TEE

Part Number 5301+(size code)



SIZE (Size Code)	L1 (in.)	H1 (in.)
2 x 4 (420)	8.46	4.29
3 x 6 (531)	10.94	5.51
4 x 8 (583)	13.39	6.69
6 x 10 (627)	17.25	8.66
8 x 12 (660)	21.06	10.63
10 x 14 (702)	26.93	13.46
12 x 16 (690)	27.36	13.78
14 x 18 (710)	35.43	17.72
16 x 20 (726)	35.43	17.72

Asahi America Inc. 35 Green St Malden Ma 02148 Office 1-781-321-5409 Fax 1-781-321-4421

Email: asahi@asahi-america.com

Internet: www.asahi-america.com



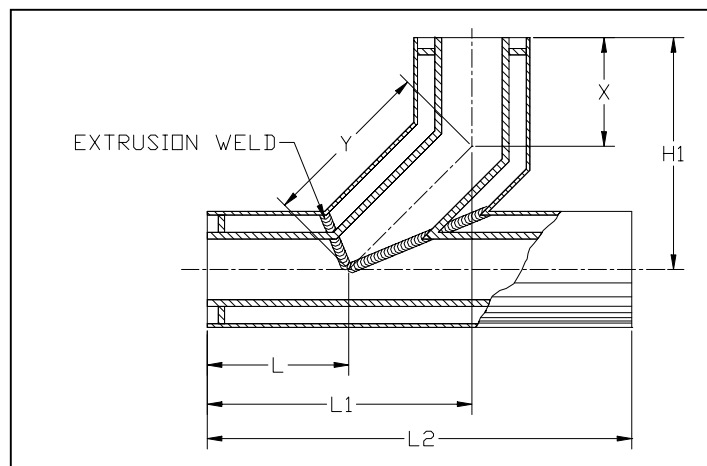
ASAHI/AMERICA®

Duo-Pro Double Contained Piping Systems

Pro150x45

45° Sanitary Tee

Part Number 5327+(size code)



SIZE (Size Code)	L (in.)	L1 (in.)	L2 (in.)	H1 (in.)	X (in.)	Y (in.)
2 x 4 (420)	6	12	18	10	4	8.49
3 x 6 (531)	8	16	24	13	5	11.31
4 x 8 (583)	10	20	30	16	6	14.14
6 x 10 (627)	12	24	36	18.5	6.5	16.97
8 x 12 (660)	14	28	42	21.75	7.75	19.80
10 x 14 (702)	16	32	48	24.25	8.25	22.63
12 x 16 (690)	18	36	54	28	10	25.46
14 x 18 (710)	20	40	60	31.25	11.25	28.28
16 x 20 (726)	22	44	66	34.75	13.00	31.11



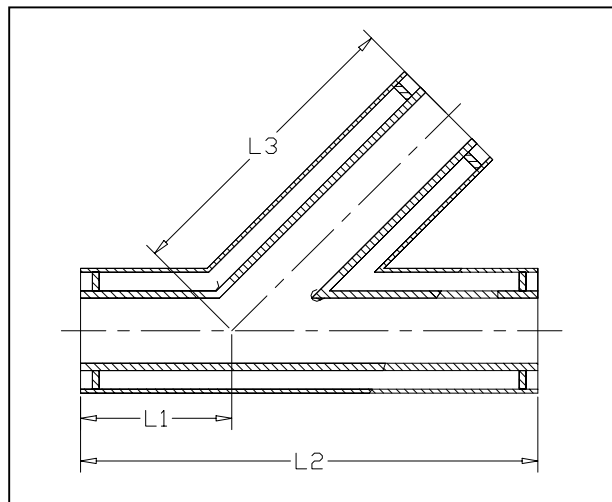
ASAHI/AMERICA®

Duo-Pro Double Contained Piping Systems

Pro150x45

45° Lateral

Part Number 5340+(size code)



SIZE (Size Code)	L1 (in.)	L2 (in.)	L3 (in.)
2 x 4 (420)	6	18	12
3 x 6 (531)	8	24	16
4 x 8 (583)	10	30	20
6 x 10 (627)	12	36	24
8 x 12 (660)	14	42	28
10 x 14 (702)	16	48	32
12 x 16 (690)	18	54	36
14 x 18 (710)*	20	60	40
16 x 20 (726)*	21	64	48

*Extrusion welded



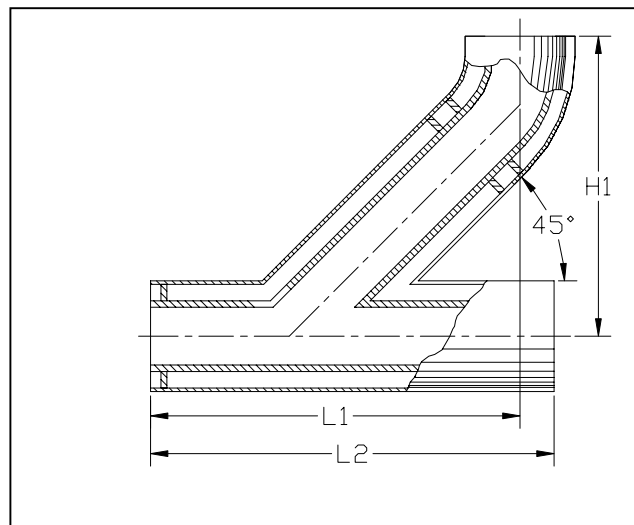
ASAHI/AMERICA®

Duo-Pro Double Contained Piping Systems

Pro150x45

45° Lateral w/1/8 Bend

Part Number 5338+(size code)



SIZE (Size Code)	L1 (in.)	L2 (in.)	H1 (in.)
2 x 4 (420)	18.0	18.0	16.5
3 x 6 (531)	23.25	24.0	21.5
4 x 8 (583)	28.5	30.0	24.0
6 x 10 (627)	33.0	36.0	26.75
8 x 12 (660)	38.125	42.0	30.375
10 x 14 (702)	45.5	48.0	39.125
12 x 16 (690)	51.75	54.0	45.375
14 x 18 (710)*	56.5	60.0	48.25

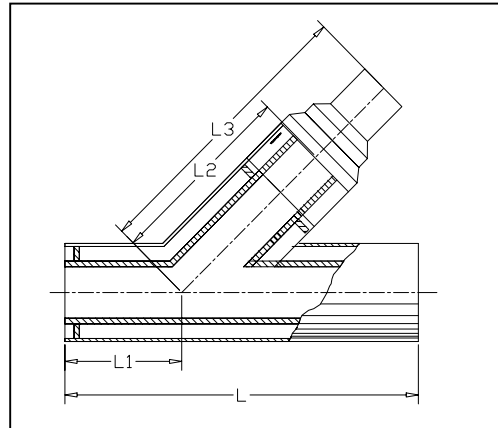
* Extrusion welded



ASAHI/AMERICA®

Duo-Pro Double Contained Piping Systems

Pro150x45
45° Reducing Lateral
 Part Number 5336+(size code)



SIZE (Size Code)	L1 (in.)	L (in.)	L2 (in.)	L3 (in.)
[3x2][6x4](743)	8	24	10.25	16.50
[4x2][8x4](744)	10	30	16.5	25.25
[4x3][8x6](746)	10	30	16.5	22.00
[6x2][10x4](892)	12	36	18.25	31.75
[6x3][10x6](747)	12	36	18.25	27.00
[6x4][10x8](748)	12	36	18.25	25.25
[8x2][12x4](890)	14	42	22.75	36.37
[8x3][12x6](896)	14	42	22.75	34.50
[8x4][12x8](895)	14	42	22.75	32.75
[8x6][12x10](893)	14	42	22.75	29.75
[10x3][14x16](898)	16	48	25	40.37
[10x4][14x8](903)	16	48	25	37.50
[10x6][14x10](902)	16	48	25	34.50
[10x8][14x12](899)	16	48	25	30.50
[12X4][16X8](924)	18	54	29	45.00
[12x4][16x8](904)	18	54	29	43.50
[12x6][16x10](915)	18	54	29	40.50
[12x8][16x12](910)	18	54	29	36.15
[14x4][18x8](916)*	20	60	-	40
[14x6][18x10](921)*	20	60	-	40
[14x8][18x12](928)*	20	60	-	40
[16x8][20x12](917)*	22	64	-	44
[16x10][20x16](922)*	22	64	-	44
[16x12][20x16](912)*	22	64	-	44
[16x14][20x18](913)	22	64	-	44

***Extrusion welded**

L2 is not required. Branch is bored out to reduce the run.

Asahi America Inc. 35 Green St Malden Ma 02148 Office 1-781-321-5409 Fax 1-781-321-4421

Email: asahi@asahi-america.com

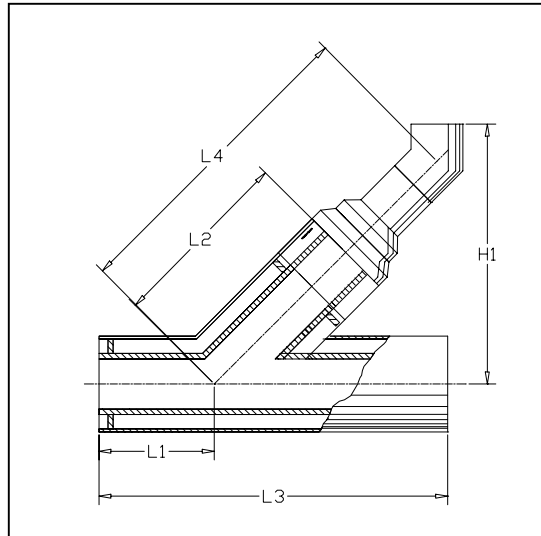
Internet: www.asahi-america.com



ASAHI/AMERICA®

Duo-Pro Double Contained Piping Systems

Pro150x45
**45° Reducing Lateral
 w/1/8 bend**
 Part Number 5338+(size code)



SIZE (Size Code)	L1 (in.)	L2 (in.)	L3 (in.)	L4 (in.)	H1 (in.)
[2x1][4x3](740)	8	8.00	24	16.25	15.50
[3x2][6x4](743)	8	10.25	24	21.50	20.25
[4x2][8x4](744)	10	16.50	30	30.00	26.25
[4x3][8x6](746)	10	16.50	36	28.00	25.75
[6x3][10x6](747)	12	18.25	36	32.75	29.25
[6x4][10x8](748)	12	18.25	36	31.00	28.00
[8x3][12x6](896)	14	22.75	42	40.50	34.75
[8x4][12x8](895)	14	22.75	42	38.75	33.50
[8x6][12x10](893)	14	22.75	42	35.75	31.25
[10x4][14x8](903)	16	25.00	48	43.50	37.00
[10x6][14x10](902)	16	25.00	48	40.50	34.50
[10x8][14x12](899)	16	25.00	48	37.00	32.00
[12x4][16x8](904)	18	26.50	54	47.00	39.00
[12x6][16x10](915)	18	26.50	54	44.00	37.00
[12x8][16x12](910)	18	26.50	54	41.50	35.00
[14x4][18x8](916)	20	40.00	60	46.00	38.25
[14x6][18x10](921)	20	40.00	60	46.00	38.25
[14x8][18x12](928)	20	40.00	60	46.50	38.50

Asahi America Inc. 35 Green St Malden Ma 02148 Office 1-781-321-5409 Fax 1-781-321-4421

Email: asahi@asahi-america.com

Internet: www.asahi-america.com



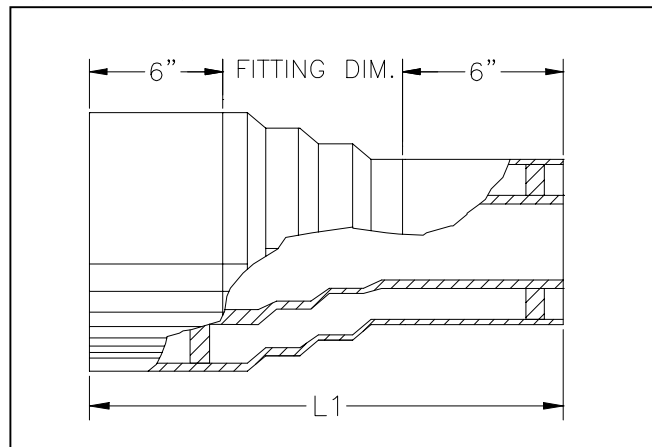
ASAHI/AMERICA®

Duo-Pro Double Contained Piping Systems

Pro150x45

Concentric Reducer

Part Number 5361+(size code)



SIZE (Size Code)	L1 (in.)
[4x2][8x4] (744)	17.75
[4x3][8x6] (746)	14.50
[6x4][10x8] (748)	15.75
[6x3][10x6] (747)	17.50
[6x2][10x4] (892)	21.00
[8x6][12x10] (893)	16.00
[8x4][12x8] (895)	19.00
[8x3][12x6] (896)	21.00
[10x8][14x12] (899)	14.50
[10x6][14x10] (902)	18.50
[10x4][14x8] (903)	21.50
[12x6][16x10] (904)	20.50
[12x8][16x12] (915)	16.50
[12x10][16x14] (910)	15.00
[14x8][18x12] (916)	18.50
[14x10][18x14] (921)	17.00
[14x12][18x16] (928)	15.00

Asahi America Inc. 35 Green St Malden Ma 02148 Office 1-781-321-5409 Fax 1-781-321-4421

Email: asahi@asahi-america.com

Internet: www.asahi-america.com



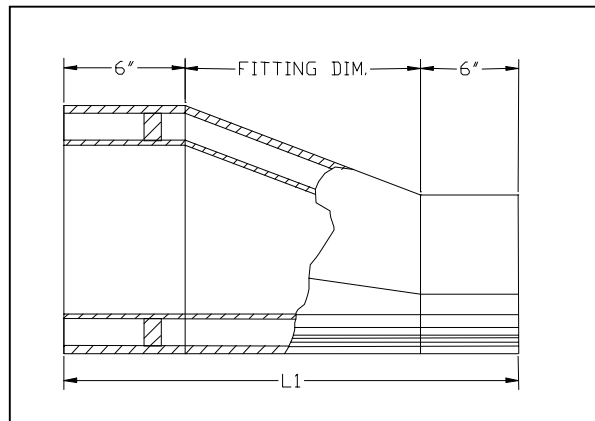
ASAHI/AMERICA®

Duo-Pro Double Contained Piping Systems

Pro150x45

Eccentric Reducer

Part Number 5358+(size code)



SIZE (Size Code)	L1 (in.)
[3x2][6x4] (743)	15.50
[4x4][8x4] (744)	18.00
[4x3][8x6] (746)	14.50
[6x4][10x8] (748)	15.25
[6x3][10x6] (747)	18.00
[6x2][10x4] (892)	19.50
[8x6][12x10] (893)	16.50
[8x4][12x8] (895)	19.50
[8x3][12x6] (896)	22.50
[10x8][14x12] (899)	14.75
[10x6][14x10] (902)	19.50
[10x4][14x8] (903)	22.75

Asahi America Inc. 35 Green St Malden Ma 02148 Office 1-781-321-5409 Fax 1-781-321-4421

Email: asahi@asahi-america.com

Internet: www.asahi-america.com



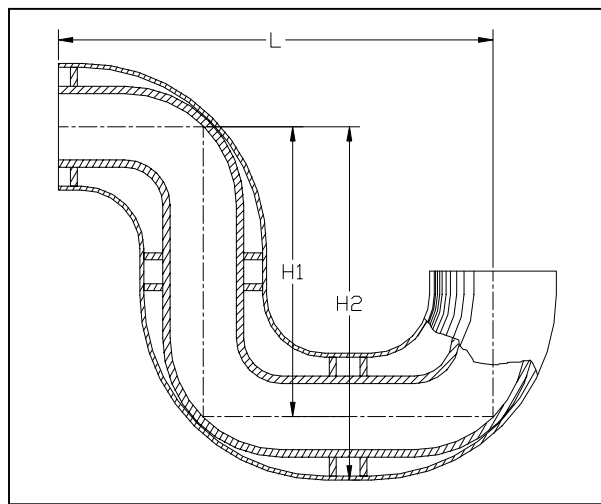
ASAHI/AMERICA®

Duo-Pro Double Contained Piping Systems

Pro150x45

P-Trap

Part Number 5315+(size code)



SIZE (Size Code)	L (in.)	H1 (in.)	H2 (in.)
2 x 4 (420)	14.25	9 7/16	11 13/16
3 x 6 (531)	21	13 15/16	17 1/2
4 x 8 (583)	25 5/8	17 1/16	21 3/8
6 x 10 (627)	33 7/16	22 3/16	27 3/4
8 x 12 (660)	35 5/16	26 1/4	32 3/4



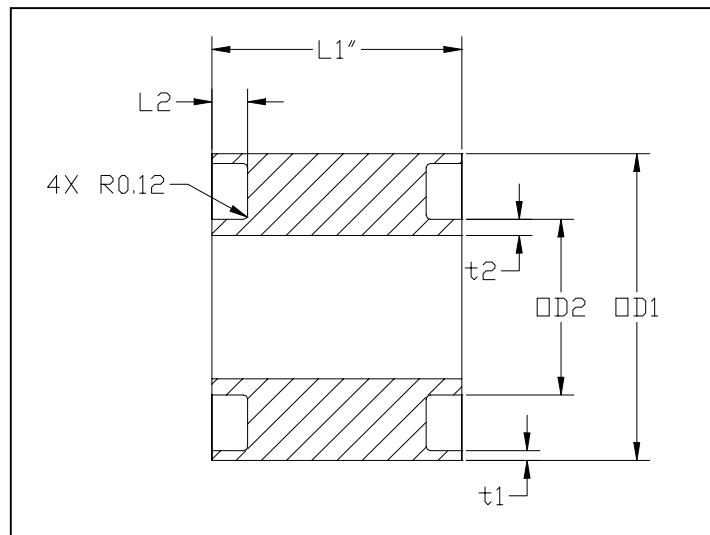
ASAHI/AMERICA®

Duo-Pro Double Contained Piping Systems

Pro150x45

Solid Dogbone

Part Number 5318+(size code)



SIZE (Size Code)	OD2 (in.)	OD1 (in.)	L1 (in.)	L2 (in.)	t2 (in.)	t1 (in.)
2 x 4 (420)	2.48	4.33	3.0	.500	.228	.134
3 x 6 (531)	3.54	6.30	3.0	.500	.323	.193
4 x 8 (583)	4.33	7.87	3.0	.500	.394	.244
6 x 10 (627)	6.30	9.84	3.0	.500	.575	.303
8 x 12 (660)	7.87	12.4	3.0	.500	.717	.382
10 x 14 (702)	9.84	13.98	2.25	.500	.894	.429
12 x 16 (690)	12.40	15.75	2.25	.500	1.126	.484
14 x 18 (710)	13.98	17.72	2.25	.500	1.268	.543
16 x 20 (726)	15.75	19.69	2.25	.500	1.429	.602

Asahi America Inc. 35 Green St Malden Ma 02148 Office 1-781-321-5409 Fax 1-781-321-4421

Email: asahi@asahi-america.com

Internet: www.asahi-america.com



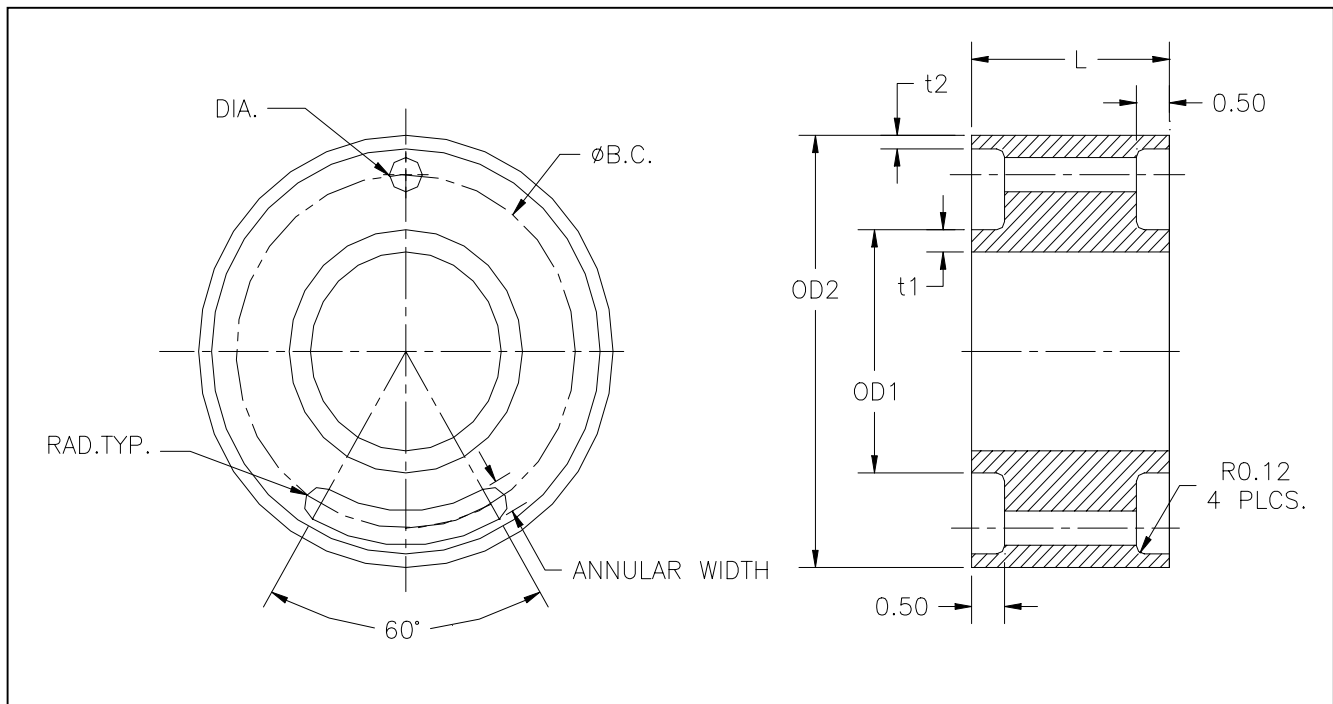
ASAHI/AMERICA®

Duo-Pro Double Contained Piping Systems

Pro150x45

Annular Solid Dogbone

Part Number 5317+(size code)



SIZE (Size Code)	OD1 (in.)	OD2 (in.)	L (in.)	t2 (in.)	t1 (in.)	BC (in.)	ANNA. /DIA. (in.)
2 x 4 (420)	2.48	4.33	3.0	.228	.134	3.30	0.50
3 x 6 (531)	3.54	6.30	3.0	.323	.193	5.15	0.50
4 x 8 (583)	4.33	7.87	3.0	.394	.244	6.26	0.75
6 x 10 (627)	6.30	9.84	3.0	.575	.303	8.23	0.75
8 x 12 (660)	7.87	12.4	3.0	.717	.382	10.34	1.00
10 x 14 (702)	9.84	13.98	2.25	.894	.429	12.11	0.75
12 x 16 (690)	12.40	15.75	2.25	1.126	.484	13.69	0.75
14 x 18 (710)	13.98	17.72	2.25	1.268	.543	15.39	1.00
16 x 20 (726)	15.75	19.69	2.25	1.429	.602	17.25	1.00

Asahi America Inc. 35 Green St Malden Ma 02148 Office 1-781-321-5409 Fax 1-781-321-4421

Email: asahi@asahi-america.com

Internet: www.asahi-america.com



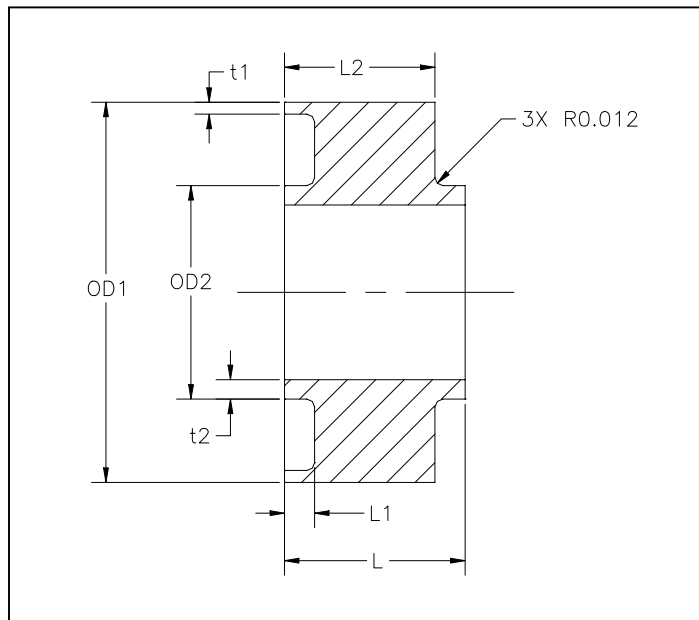
ASAHI/AMERICA®

Duo-Pro Double Contained Piping Systems

Pro150x45

End Termination

Part Number 5333+(size code)



SIZE (Size Code)	OD2 (in.)	OD1 (in.)	L (in.)	L1 (in.)	L2 (in.)	t2 (in.)	t1 (in.)
2 x 4 (420)	2.48	4.33	3.00	.50	2.25	.228	.134
3 x 6 (531)	3.54	6.30	3.00	.50	2.25	.323	.193
4 x 8 (583)	4.33	7.87	3.00	.50	2.25	.394	.244
6 x 10 (627)	6.30	9.84	3.00	.50	2.25	.575	.303
8 x 12 (660)	7.87	12.40	3.00	.50	2.25	.717	.382
10 x 14 (702)	9.84	13.98	3.00	.50	2.25	.894	.429
12 x 16 (690)	12.40	15.75	2.25	.50	1.50	1.126	.484
14 x 18 (710)	13.98	17.72	2.25	.50	1.50	1.268	.543
16 x 20 (726)	15.75	19.69	2.25	.50	1.50	1.429	.602

Asahi America Inc. 35 Green St Malden Ma 02148 Office 1-781-321-5409 Fax 1-781-321-4421

Email: asahi@asahi-america.com

Internet: www.asahi-america.com



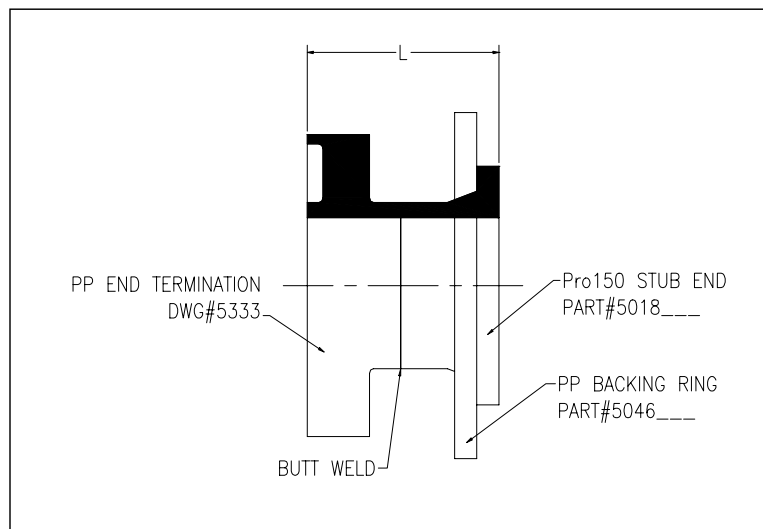
ASAHI/AMERICA®

Duo-Pro Double Contained Piping Systems

Pro150x45

Flanged End Termination

Part Number 5335+(size code)



SIZE (Size Code)	STUB & RING SIZE	L (in.)
2 x 4 (420)	2"	4.75
3 x 6 (531)	3"	6.00
4 x 8 (583)	4"	6.00
6 x 10 (627)	6"	6.00
8 x 12 (660)	8"	6.75
10 x 14 (702)	10"	7.00
12 x 16 (690)	12"	7.25
14* x 18 (710)	14"	6.75
16* x 20 (726)	16"	6.75

* DI BACKIING RING

Asahi America Inc. 35 Green St Malden Ma 02148 Office 1-781-321-5409 Fax 1-781-321-4421

Email: asahi@asahi-america.com

Internet: www.asahi-america.com



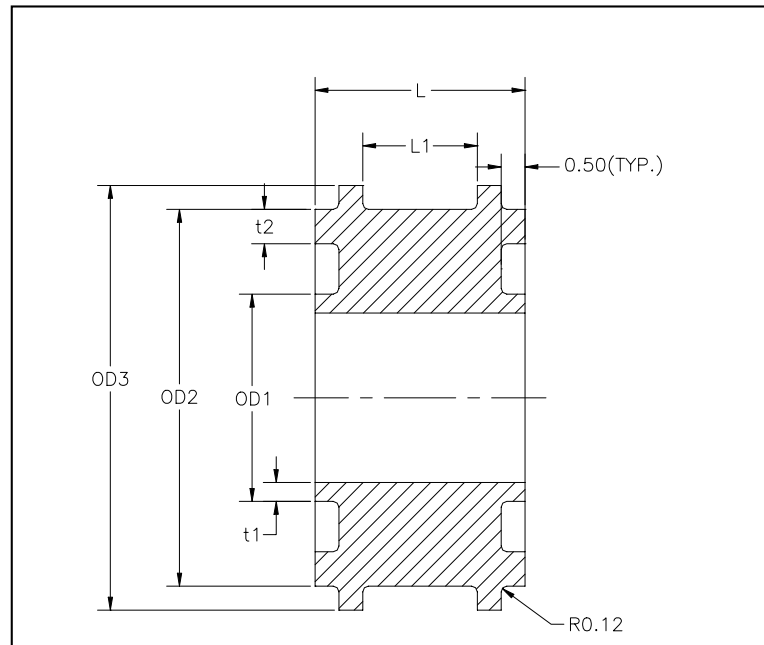
ASAHI/AMERICA®

Duo-Pro Double Contained Piping Systems

Pro150x45

Restraint Dogbone

Part Number 5317+(size code)



SIZE (Size Code)	OD1 (in.)	OD2 (in.)	OD3 (in.)	L (in.)	L1 (in.)	t1 (in.)	t2 (in.)
2 x 4 (420)	2.48	4.33	5.33	3.40	1.60	.228	.134
3 x 6 (531)	3.54	6.30	7.30	4.40	2.40	.323	.193
4 x 8 (583)	4.33	7.87	8.87	4.40	2.40	.394	.244
6 x 10 (627)	6.30	9.84	10.84	3.625	1.625	.575	.303
8 x 12 (660)	7.87	12.40	13.40	3.625	1.625	.717	.382

CONSULT FACTORY FOR LARGER SIZES

Asahi America Inc. 35 Green St Malden Ma 02148 Office 1-781-321-5409 Fax 1-781-321-4421

Email: asahi@asahi-america.com

Internet: www.asahi-america.com



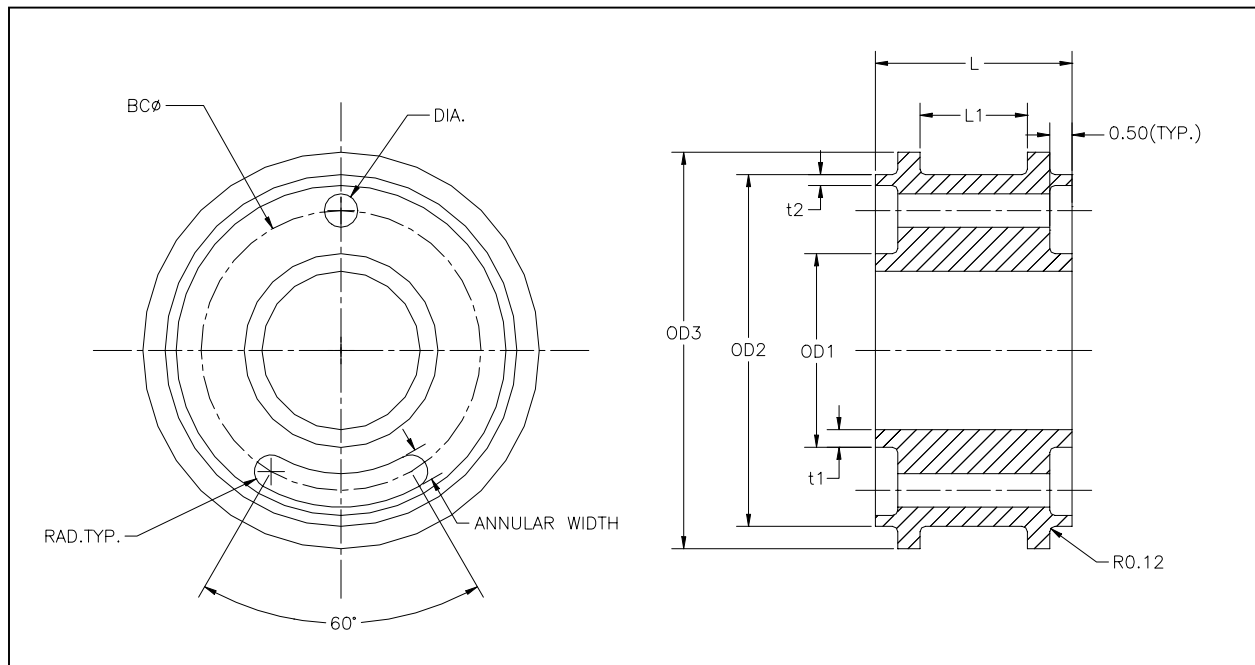
ASAHI/AMERICA®

Duo-Pro Double Contained Piping Systems

Pro150x45

Annular Restraint Dogbone

Part Number 5319+(size code)



SIZE (Size Code)	OD1 (in.)	OD2 (in.)	OD3 (in.)	L (in.)	L1 (in.)	t1 (in.)	t2 (in.)	BC (in.)	ANNA. /DIA. (in.)
2 x 4 (420)	2.48	4.33	5.33	3.40	1.60	.228	.134	3.30	0.50
3 x 6 (531)	3.54	6.30	7.30	4.40	2.40	.323	.193	5.15	0.50
4 x 8 (583)	4.33	7.87	8.87	4.40	2.40	.394	.244	6.26	0.75
6 x 10 (627)	6.30	9.84	10.84	3.625	1.625	.575	.303	8.23	0.75
8 x 12 (660)	7.87	12.40	13.40	3.625	1.625	.717	.382	10.34	1.00

CONSULT FACTORY FOR LARGER SIZES

Asahi America Inc. 35 Green St Malden Ma 02148 Office 1-781-321-5409 Fax 1-781-321-4421

Email: asahi@asahi-america.com

Internet: www.asahi-america.com



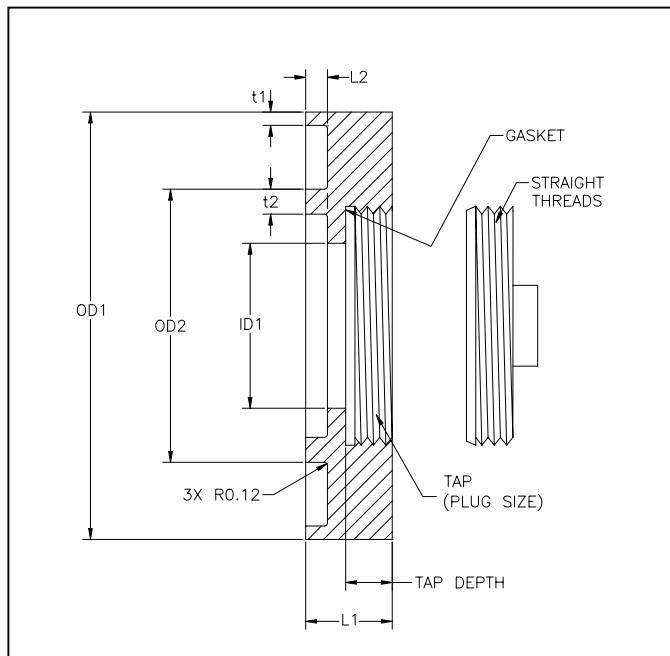
ASAHI/AMERICA®

Duo-Pro Double Contained Piping Systems

Pro150x45

Cleanout with Plug

Part Number 5332+(size code)



SIZE (Size Code)	OD2 (in.)	OD1 (in.)	L1 (in.)	L2 (in.)	ID1 (in.)	t2 (in.)	t1 (in.)	TAP (in.)	TAP DEPTH (in.)
2 x 4 (420)	2.48	4.33	3.0	.50	2.00	.228	.134	3	1.12
3 x 6 (531)	3.54	6.30	3.0	.50	2.50	.323	.193	4	1.26
4 x 8 (583)	4.33	7.87	3.0	.50	3.00	.394	.244	4	1.26
6 x 10 (627)	6.30	9.84	3.0	.50	5.00	.575	.303	6	1.52
8 x 12 (660)	7.87	12.4	3.0	.50	5.00	.717	.382	6	1.52
10 x 14 (702)	9.84	13.95	2.25	.50	5.00	.894	.429	6	1.52
12 x 16 (690)	12.40	15.75	2.25	.50	5.00	1.126	.484	6	1.52
14 x 18 (710)	13.98	17.72	2.25	.50	5.00	1.268	.543	6	1.52
16 x 20 (726)	15.75	19.69	2.25	.50	5.00	1.429	.602	6	1.52

Asahi America Inc. 35 Green St Malden Ma 02148 Office 1-781-321-5409 Fax 1-781-321-4421

Email: asahi@asahi-america.com

Internet: www.asahi-america.com



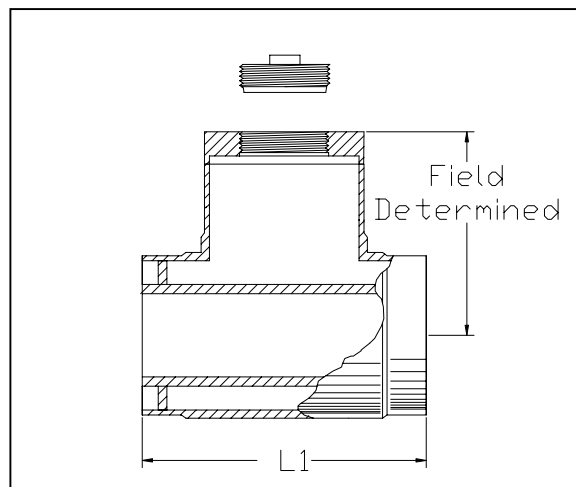
ASAHI/AMERICA®

Duo-Pro Double Contained Piping Systems

Pro150x45

Access Tee W/Threaded Plug

Part Number 5303+(size code)



SIZE (Size Code)	L1 (in.)
2 x 4 (420)	8.46
3 x 6 (531)	10.94
4 x 8 (583)	13.39
6 x 10 (627)	17.24
8 x 12 (660)	21.06
10 x 14 (702)	26.93
12 x 16 (690)	27.36
14 x 18 (710)	35.43

Asahi America Inc. 35 Green St Malden Ma 02148 Office 1-781-321-5409 Fax 1-781-321-4421

Email: asahi@asahi-america.com

Internet: www.asahi-america.com



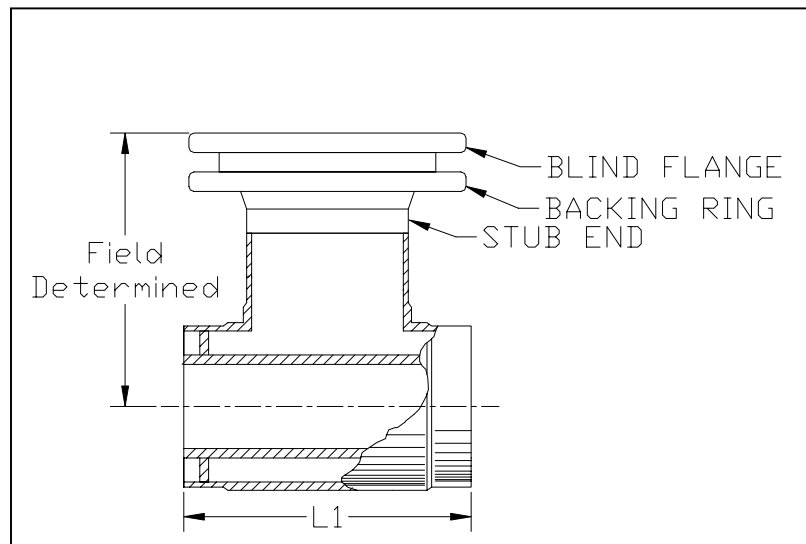
ASAHI/AMERICA®

Duo-Pro Double Contained Piping Systems

Pro150x45

Access Tee W/Flanged Cover

Part Number 5355+(size code)



SIZE (Size Code)	L1 (in.)
2 x 4 (420)	8.46
3 x 6 (531)	10.94
4 x 8 (583)	13.39
6 x 10 (627)	17.24
8 x 12 (660)	21.06
10 x 14 (702)	26.93
12 x 16 (690)	27.36
14 x 18 (710)	35.43



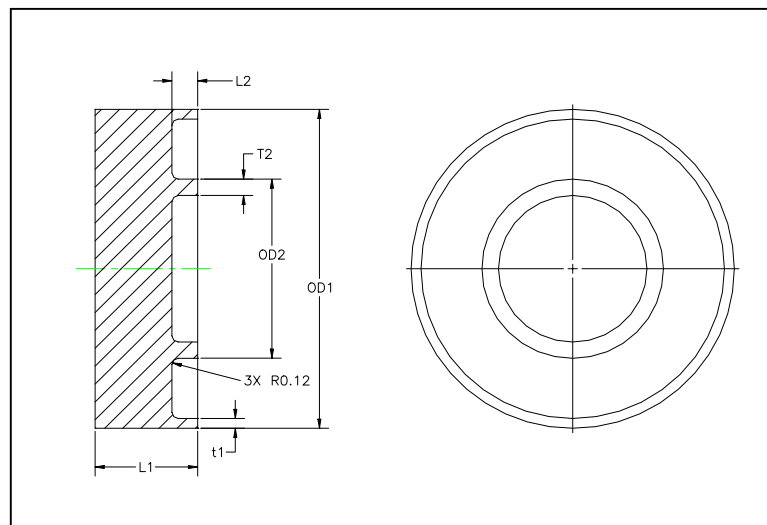
ASAHI/AMERICA®

Duo-Pro Double Contained Piping Systems

Pro150x45

Cap

Part Number 5320+(size code)



SIZE (Size Code)	OD2 (in.)	OD1 (in.)	L1 (in.)	L2 (in.)	t2 (in.)	t1 (in.)	INT
2 x 4 (420)	2.48	4.33	2.0	.50	.228	.134	
3 x 6 (531)	3.54	6.30	2.0	.50	.323	.193	
4 x 8 (583)	4.33	7.87	2.0	.50	.394	.244	
6 x 10 (627)	6.30	9.84	2.0	.50	.575	.303	
8 x 12 (660)	7.87	12.4	2.0	.50	.717	.382	
10 x 14 (702)	9.84	13.98	2.0	.50	.894	.429	
12 x 16 (690)	12.40	15.75	2.0	.50	1.126	.484	
14 x 18 (710)	13.98	17.72	2.0	.50	1.268	.543	
16 x 20 (726)	15.75	19.69	2.0	.50	1.429	.602	

Asahi America Inc. 35 Green St Malden Ma 02148 Office 1-781-321-5409 Fax 1-781-321-4421

Email: asahi@asahi-america.com

Internet: www.asahi-america.com



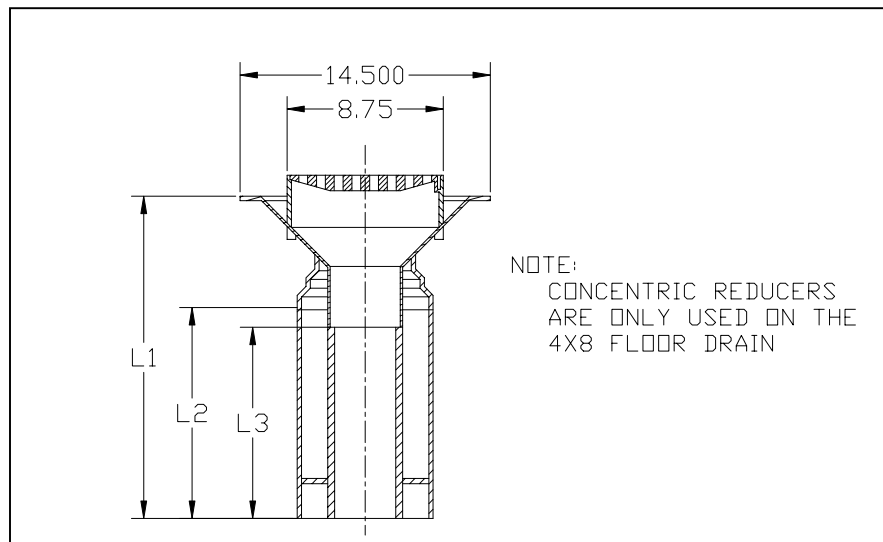
ASAHI/AMERICA®

Duo-Pro Double Contained Piping Systems

Pro150x45

ADJ- Floor Drain

Part Number 5360+(size code)



SIZE (Size Code)	L1 (in.)	L2 (in.)	L3 (in.)
2 x 4 (420)	18.0	15.5	6.0 + 3x2 EXT. LEG REDUCER
3 x 6 (531)	18.0	15.75	11.75
4 x 8 (583)	18.0	12	11.25
6 x 10 (627)	18.0	17	12



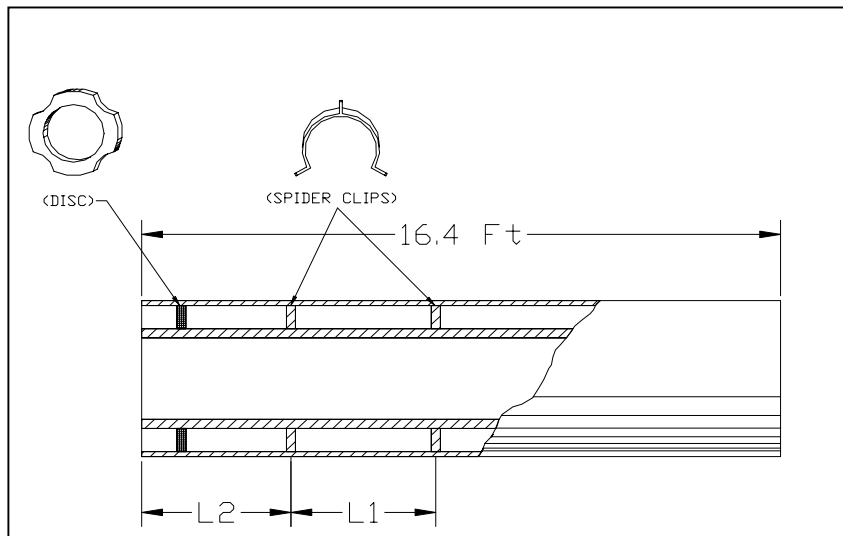
ASAHI/AMERICA®

Duo-Pro Double Contained Piping Systems

PRO 45x45

Simultaneous Pipe

Part Number 5388+(size code)



SIZE (Size Code)	L1 (ft.)	L2 (ft.)	# Spider Clips
2 x 4 (420)	3.50	3.0	4
3 x 6 (531)	5.25	3.0	3
4 x 8 (583)	5.25	3.0	3
6 x 10 (627)	5.25	3.0	3
8 x 12 (660)	5.25	3.0	3
10 x 14 (702)	5.25	3.0	3
12 x 16 (690)	7.5	3.5	2
14 x 18 (710)	7.5	3.5	2
16 x 20 (726)	7.5	3.5	2

Asahi America Inc. 35 Green St Malden Ma 02148 Office 1-781-321-5409 Fax 1-781-321-4421

Email: asahi@asahi-america.com

Internet: www.asahi-america.com



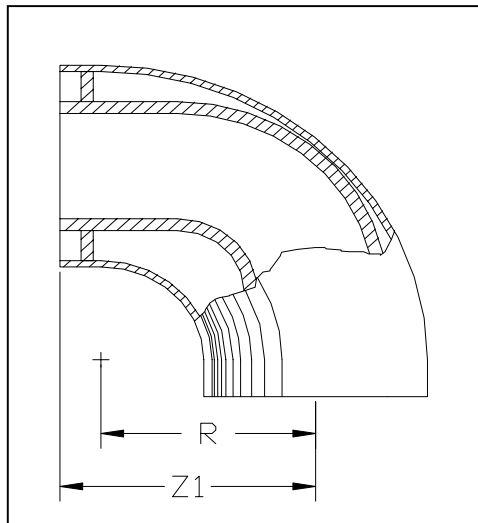
ASAHI/AMERICA®

Duo-Pro Double Contained Piping Systems

PRO 45x45

90° ELBOW

Part Number 5372+(size code)



SIZE (Size Code)	Z1 (in.)	R (in.)
2 x 4 (420)	4.72	4.33
3 x 6 (531)	6.69	6.10
4 x 8 (583)	8.66	7.76
6 x 10 (627)	11.41	10.43
8 x 12 (660)	13.38	11.81
10 x 14 (702)	13.40	11.80
12 x 16 (690)	13.80	11.80
14 x 18 (710)	17.71	15.80
16 x 20 (726)	17.71	15.80



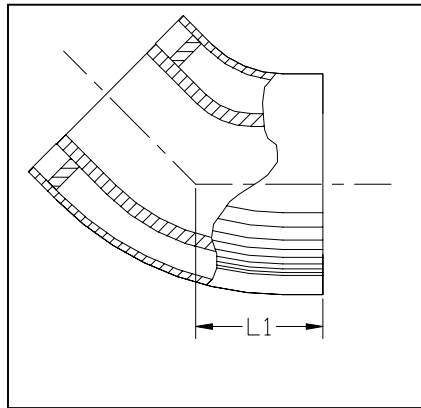
ASAHI/AMERICA®

Duo-Pro Double Contained Piping Systems

Pro45x45

45° ELBOW

Part Number 5370+(size code)



SIZE (Size Code)	L1 (in.)
2 x 4 (420)	5.00
3 x 6 (531)	6.00
4 x 8 (583)	6.00
6 x 10 (627)	6.00
8 x 12 (660)	6.5
10 x 14 (702)	8.25
12 x 16 (690)	9.50
14 x 18 (710)	12.00
16 x 20 (726)	14.00



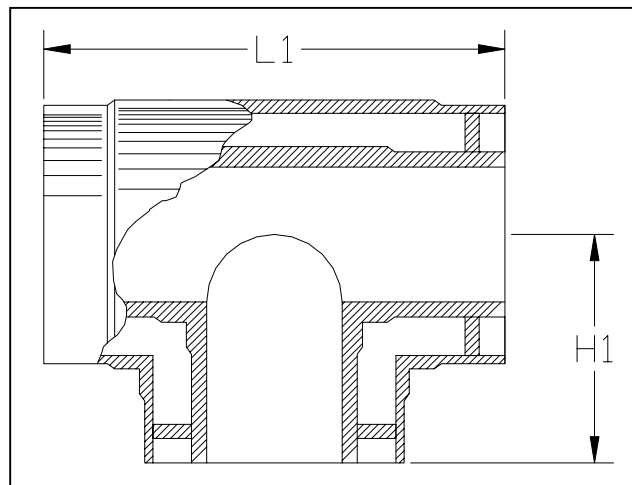
ASAHI/AMERICA®

Duo-Pro Double Contained Piping Systems

Pro45x45

45° TEE

Part Number 5374+(size code)



SIZE (Size Code)	L1 (in.)	H1 (in.)
2 x 4 (420)	8.46	4.29
3 x 6 (531)	10.94	5.51
4 x 8 (583)	13.39	6.69
6 x 10 (627)	17.24	8.66
8 x 12 (660)	21.06	10.63
10 x 14 (702)	26.93	13.46
12 x 16 (690)	27.36	13.78
14 x 18 (710)	35.43	17.72
16 x 20 (726)	35.43	17.72

Asahi America Inc. 35 Green St Malden Ma 02148 Office 1-781-321-5409 Fax 1-781-321-4421

Email: asahi@asahi-america.com

Internet: www.asahi-america.com



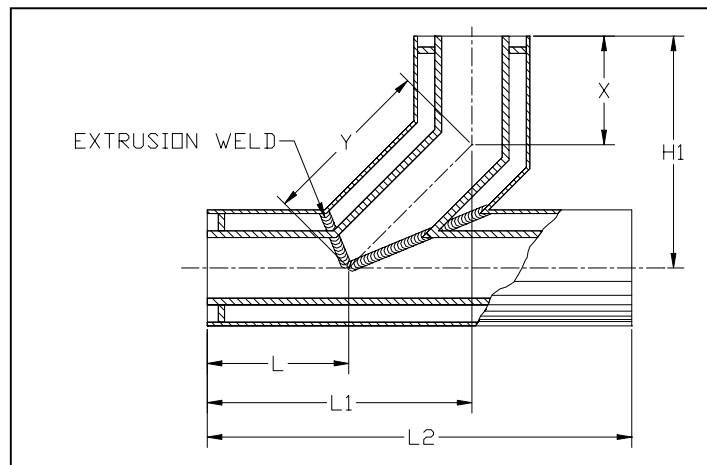
ASAHI/AMERICA®

Duo-Pro Double Contained Piping Systems

Pro45x45

45° Sanitary Tee

Part Number 5382+(size code)



SIZE (Size Code)	L (in.)	L1 (in.)	L2 (in.)	H1 (in.)	X (in.)	Y (in.)
2 x 4 (420)	6	12	18	10	4	8.49
3 x 6 (531)	8	16	24	13	5	11.31
4 x 8 (583)	10	20	30	16	6	14.14
6 x 10 (627)	12	24	36	18.5	6.5	16.97
8 x 12 (660)	14	28	42	21.75	7.75	19.80
10 x 14 (702)	16	32	48	24.25	8.25	22.63
12 x 16 (690)	18	36	54	28	10	25.46
14 x 18 (710)	20	40	60	31.25	11.25	28.28
16 x 20 (726)	22	44	66	34.75	13.00	31.11



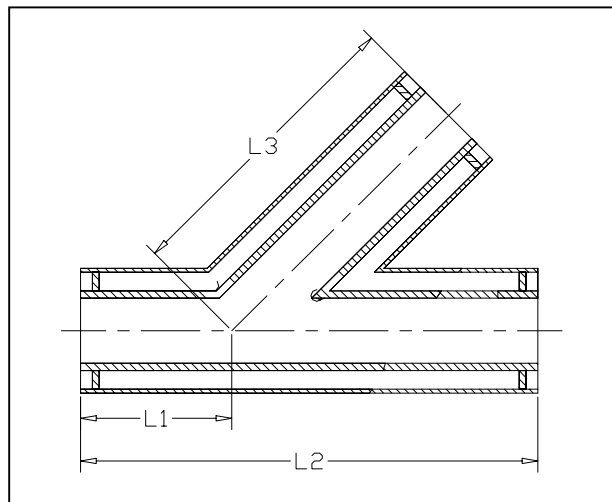
ASAHI/AMERICA®

Duo-Pro Double Contained Piping Systems

Pro45x45

45° Lateral

Part Number 5340+(size code)



SIZE (Size Code)	L1 (in.)	L2 (in.)	L3 (in.)
2 x 4 (420)	6	18	12
3 x 6 (531)	8	24	16
4 x 8 (583)	10	30	20
6 x 10 (627)	12	36	24
8 x 12 (660)	14	42	28
10 x 14 (702)	16	48	32
12 x 16 (690)	18	54	36
14 x 18 (710)*	20	60	40
16 x 20 (726)*	21	64	48

*Extrusion welded



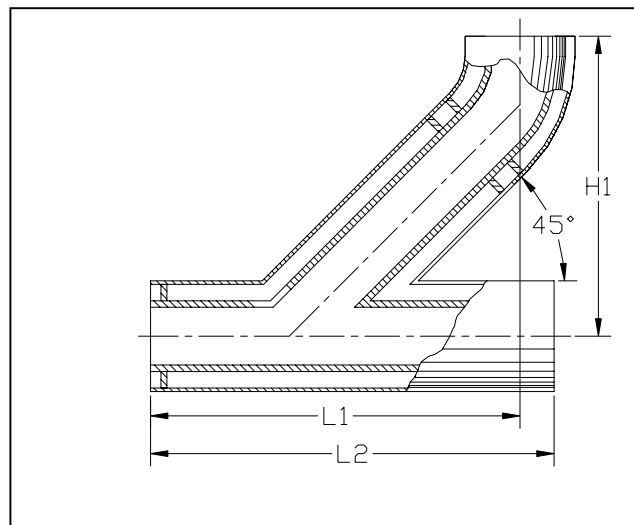
ASAHI/AMERICA®

Duo-Pro Double Contained Piping Systems

Pro45x45

45° Lateral w/1/8 Bend

Part Number 5380+(size code)



SIZE (Size Code)	L1 (in.)	L2 (in.)	H1 (in.)
2 x 4 (420)	18.0	18.0	16.5
3 x 6 (531)	23.25	24.0	21.5
4 x 8 (583)	28.5	30.0	24.0
6 x 10 (627)	33.0	36.0	26.75
8 x 12 (660)	38.125	42.0	30.375
10 x 14 (702)	45.5	48.0	39.125
12 x 16 (690)	51.75	54.0	45.375
14 x 18 (710)*	56.5	60.0	48.25

* Extrusion welded



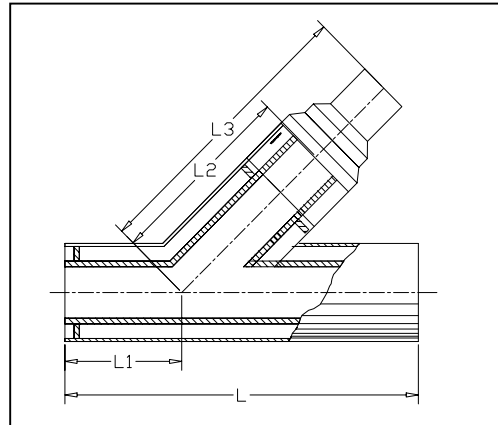
ASAHI/AMERICA®

Duo-Pro Double Contained Piping Systems

Pro45x45

45° Reducing Lateral

Part Number 5383+(size code)



SIZE (Size Code)	L1 (in.)	L (in.)	L2 (in.)	L3 (in.)
[3x2][6x4](743)	8	24	10.25	16.50
[4x2][8x4](744)	10	30	16.5	25.25
[4x3][8x6](746)	10	30	16.5	22.00
[6x2][10x4](892)	12	36	18.25	31.75
[6x3][10x6](747)	12	36	18.25	27.00
[6x4][10x8](748)	12	36	18.25	25.25
[8x2][12x4](890)	14	42	22.75	36.37
[8x3][12x6](896)	14	42	22.75	34.50
[8x4][12x8](895)	14	42	22.75	32.75
[8x6][12x10](893)	14	42	22.75	29.75
[10x3][14x16](898)	16	48	25	40.37
[10x4][14x8](903)	16	48	25	37.50
[10x6][14x10](902)	16	48	25	34.50
[10x8][14x12](899)	16	48	25	30.50
[12x4][16x8](924)	18	54	29	45.00
[12x4][16x8](904)	18	54	29	43.50
[12x6][16x10](915)	18	54	29	40.50
[12x8][16x12](910)	18	54	29	36.15
[14x4][18x8](916)*	20	60	-	40
[14x6][18x10](921)*	20	60	-	40
[14x8][18x12](928)*	20	60	-	40
[16x8][20x12](917)*	22	64	-	44
[16x10][20x16](922)*	22	64	-	44
[16x12][20x16](912)*	22	64	-	44
[16x14][20x18](913)	22	64	-	44

***Extrusion welded**

L2 is not required. Branch is bored out to reduce the run.

Asahi America Inc. 35 Green St Malden Ma 02148 Office 1-781-321-5409 Fax 1-781-321-4421

Email: asahi@asahi-america.com

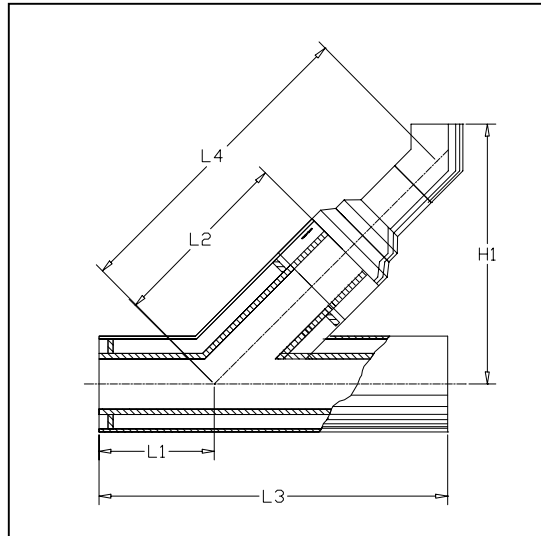
Internet: www.asahi-america.com



ASAHI/AMERICA®

Duo-Pro Double Contained Piping Systems

Pro45x45
45° Reducing Lateral
w/1/8 bend
 Part Number 5380+(size code)



SIZE (Size Code)	L1 (in.)	L2 (in.)	L3 (in.)	L4 (in.)	H1 (in.)
[2x1][4x3](740)	8	8.00	24	16.25	15.50
[3x2][6x4](743)	8	10.25	24	21.50	20.25
[4x2][8x4](744)	10	16.50	30	30.00	26.25
[4x3][8x6](746)	10	16.50	36	28.00	25.75
[6x3][10x6](747)	12	18.25	36	32.75	29.25
[6x4][10x8](748)	12	18.25	36	31.00	28.00
[8x3][12x6](896)	14	22.75	42	40.50	34.75
[8x4][12x8](895)	14	22.75	42	38.75	33.50
[8x6][12x10](893)	14	22.75	42	35.75	31.25
[10x4][14x8](903)	16	25.00	48	43.50	37.00
[10x6][14x10](902)	16	25.00	48	40.50	34.50
[10x8][14x12](899)	16	25.00	48	37.00	32.00
[12x4][16x8](904)	18	26.50	54	47.00	39.00
[12x6][16x10](915)	18	26.50	54	44.00	37.00
[12x8][16x12](910)	18	26.50	54	41.50	35.00
[14x4][18x8](916)	20	40.00	60	46.00	38.25
[14x6][18x10](921)	20	40.00	60	46.00	38.25
[14x8][18x12](928)	20	40.00	60	46.50	38.50

Asahi America Inc. 35 Green St Malden Ma 02148 Office 1-781-321-5409 Fax 1-781-321-4421

Email: asahi@asahi-america.com

Internet: www.asahi-america.com



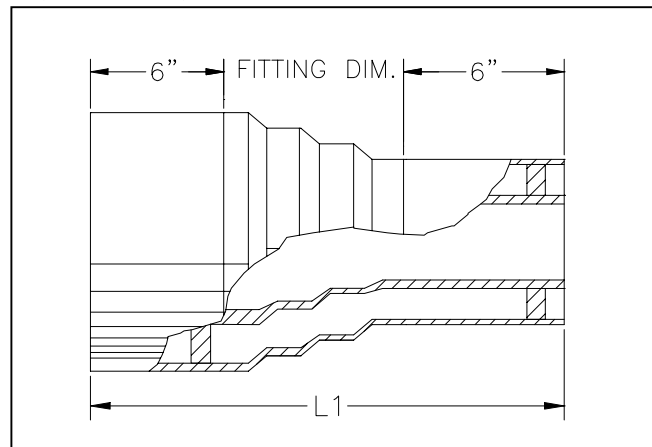
ASAHI/AMERICA®

Duo-Pro Double Contained Piping Systems

Pro45x45

Concentric Reducer

Part Number 5384+(size code)



SIZE (Size Code)	L1 (in.)
[4x2][8x4] (744)	17.75
[4x3][8x6] (746)	14.50
[6x4][10x8] (748)	15.75
[6x3][10x6] (747)	17.50
[6x2][10x4] (892)	21.00
[8x6][12x10] (893)	16.00
[8x4][12x8] (895)	19.00
[8x3][12x6] (896)	21.00
[10x8][14x12] (899)	14.50
[10x6][14x10] (902)	18.50
[10x4][14x8] (903)	21.50
[12x6][16x10] (904)	20.50
[12x8][16x12] (915)	16.50
[12x10][16x14] (910)	15.00
[14x8][18x12] (916)	18.50
[14x10][18x14] (921)	17.00
[14x12][18x16] (928)	15.00

Asahi America Inc. 35 Green St Malden Ma 02148 Office 1-781-321-5409 Fax 1-781-321-4421

Email: asahi@asahi-america.com

Internet: www.asahi-america.com



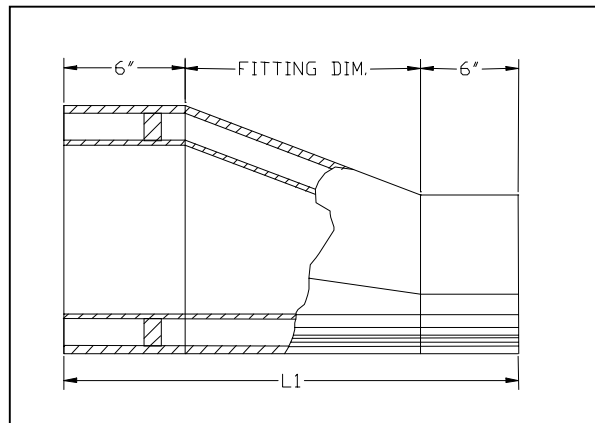
ASAHI/AMERICA®

Duo-Pro Double Contained Piping Systems

Pro45x45

Eccentric Reducer

Part Number 5386+(size code)



SIZE (Size Code)	L1 (in.)
[3x2][6x4] (743)	15.50
[4x4][8x4] (744)	18.00
[4x3][8x6] (746)	14.50
[6x4][10x8] (748)	15.25
[6x3][10x6] (747)	18.00
[6x2][10x4] (892)	19.50
[8x6][12x10] (893)	16.50
[8x4][12x8] (895)	19.50
[8x3][12x6] (896)	22.50
[10x8][14x12] (899)	14.75
[10x6][14x10] (902)	19.50
[10x4][14x8] (903)	22.75

Asahi America Inc. 35 Green St Malden Ma 02148 Office 1-781-321-5409 Fax 1-781-321-4421

Email: asahi@asahi-america.com

Internet: www.asahi-america.com



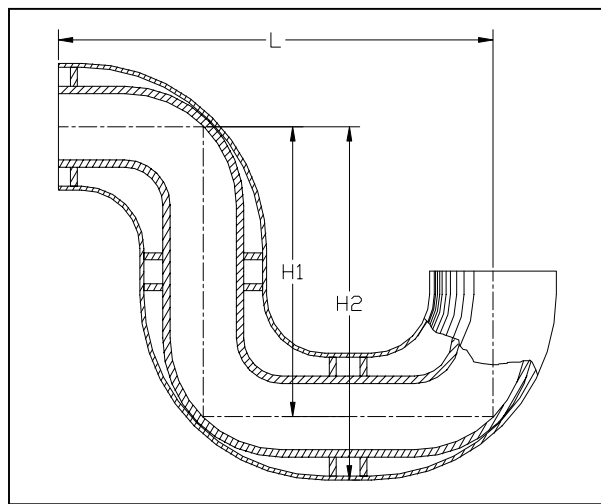
ASAHI/AMERICA®

Duo-Pro Double Contained Piping Systems

Pro45x45

P-Trap

Part Number 5376+(size code)



SIZE (Size Code)	L (in.)	H1 (in.)	H2 (in.)
2 x 4 (420)	14.25	9 7/16	11 13/16
3 x 6 (531)	21	13 15/16	17 1/2
4 x 8 (583)	25 5/8	17 1/16	21 3/8
6 x 10 (627)	33 7/16	22 3/16	27 3/4
8 x 12 (660)	35 5/16	26 1/4	32 3/4



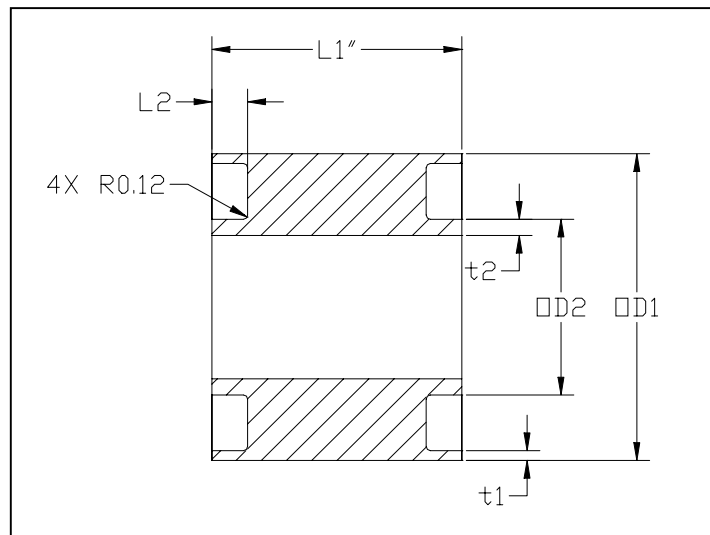
ASAHI/AMERICA®

Duo-Pro Double Contained Piping Systems

Pro45x45

Solid Dogbone

Part Number 5392+(size code)



SIZE (Size Code)	OD2 (in.)	OD1 (in.)	L1 (in.)	L2 (in.)	t2 (in.)	t1 (in.)	INT
2 x 4 (420)	2.48	4.33	3.0	.500	.228	.134	
3 x 6 (531)	3.54	6.30	3.0	.500	.323	.193	
4 x 8 (583)	4.33	7.87	3.0	.500	.394	.244	
6 x 10 (627)	6.30	9.84	3.0	.500	.575	.303	
8 x 12 (660)	7.87	12.4	3.0	.500	.717	.382	
10 x 14 (702)	9.84	13.98	2.25	.500	.894	.429	
12 x 16 (690)	12.40	15.75	2.25	.500	1.126	.484	
14 x 18 (710)	13.98	17.72	2.25	.500	1.268	.543	
16 x 20 (726)	15.75	19.69	2.25	.500	1.429	.602	

Asahi America Inc. 35 Green St Malden Ma 02148 Office 1-781-321-5409 Fax 1-781-321-4421

Email: asahi@asahi-america.com

Internet: www.asahi-america.com



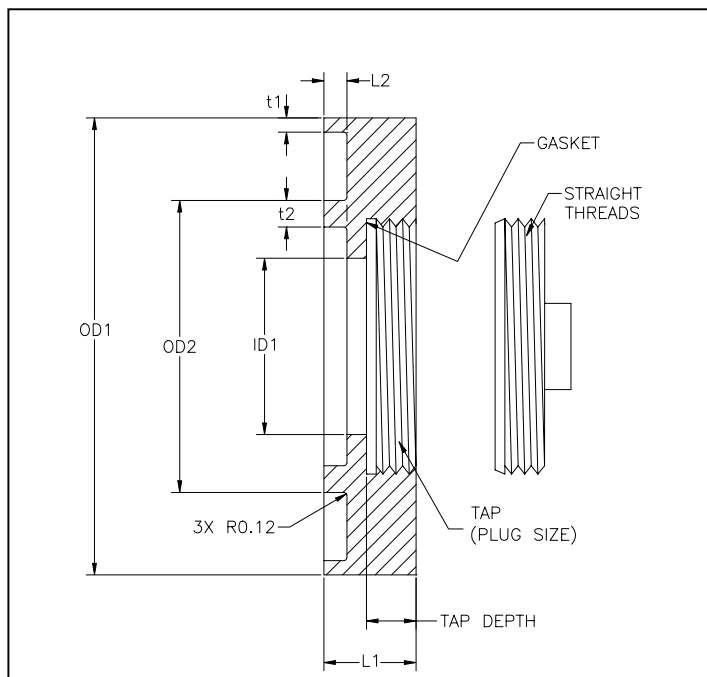
ASAHI/AMERICA®

Duo-Pro Double Contained Piping Systems

Pro45x45

Cleanout with Plug

Part Number 5377+(size code)



SIZE (Size Code)	OD2 (in.)	OD1 (in.)	L1 (in.)	L2 (in.)	ID1 (in.)	t2 (in.)	t1 (in.)	TAP (in.)	TAP DEPTH (in.)	PROD. SIGN OFF
2 x 4 (420)	2.48	4.33	3.0	.50	2.00	.228	.134	3	1.12	
3 x 6 (531)	3.54	6.30	3.0	.50	2.50	.323	.193	4	1.26	
4 x 8 (583)	4.33	7.87	3.0	.50	3.00	.394	.244	4	1.26	
6 x 10 (627)	6.30	9.84	3.0	.50	5.00	.575	.303	6	1.52	
8 x 12 (660)	7.87	12.4	3.0	.50	5.00	.717	.382	6	1.52	
10 x 14 (702)	9.84	13.95	2.25	.50	5.00	.894	.429	6	1.52	
12 x 16 (690)	12.40	15.75	2.25	.50	5.00	1.126	.484	6	1.52	
14 x 18 (710)	13.98	17.72	2.25	.50	5.00	1.268	.543	6	1.52	
16 x 20 (726)	15.75	19.69	2.25	.50	5.00	1.429	.602	6	1.52	

Asahi America Inc. 35 Green St Malden Ma 02148 Office 1-781-321-5409 Fax 1-781-321-4421

Email: asahi@asahi-america.com

Internet: www.asahi-america.com



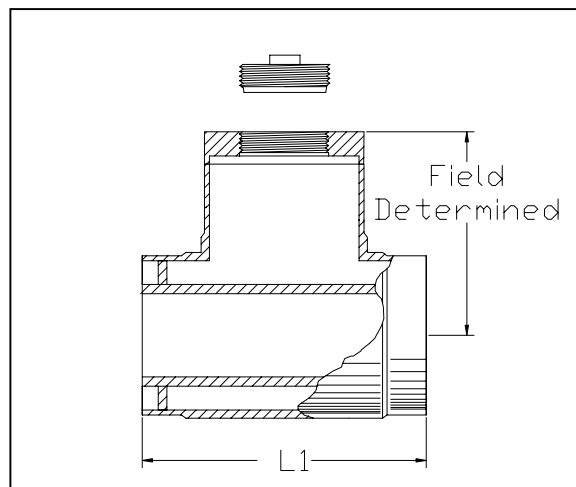
ASAHI/AMERICA®

Duo-Pro Double Contained Piping Systems

Pro45x45

Access Tee W/Threaded Plug

Part Number 5375+(size code)



SIZE (Size Code)	L1 (in.)
2 x 4 (420)	8.46
3 x 6 (531)	10.94
4 x 8 (583)	13.39
6 x 10 (627)	17.24
8 x 12 (660)	21.06
10 x 14 (702)	26.93
12 x 16 (690)	27.36
14 x 18 (710)	35.43



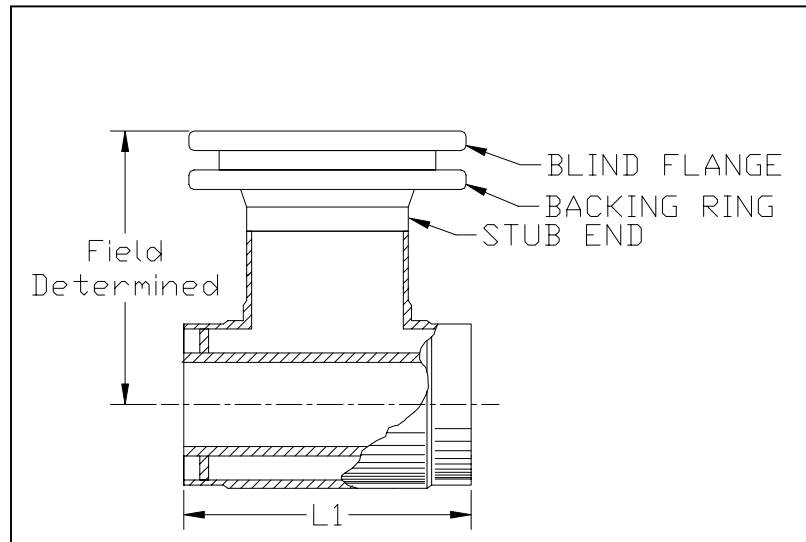
ASAHI/AMERICA®

Duo-Pro Double Contained Piping Systems

Pro45x45

Access Tee W/Flanged Cover

Part Number 5373+(size code)



SIZE (Size Code)	L1 (in.)
2 x 4 (420)	8.46
3 x 6 (531)	10.94
4 x 8 (583)	13.39
6 x 10 (627)	17.24
8 x 12 (660)	21.06
10 x 14 (702)	26.93
12 x 16 (690)	27.36
14 x 18 (710)	35.43



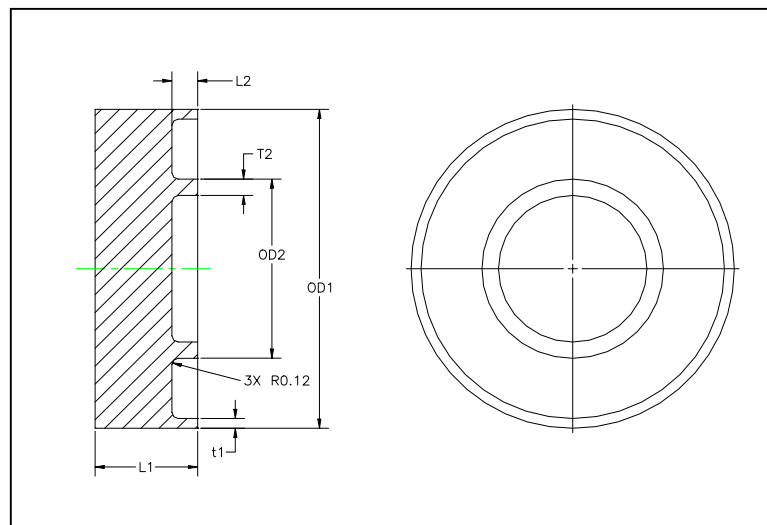
ASAHI/AMERICA®

Duo-Pro Double Contained Piping Systems

Pro45x45

Cap

Part Number 5393+(size code)



SIZE (Size Code)	OD2 (in.)	OD1 (in.)	L1 (in.)	L2 (in.)	t2 (in.)	t1 (in.)	INT
2 x 4 (420)	2.48	4.33	2.0	.50	.228	.134	
3 x 6 (531)	3.54	6.30	2.0	.50	.323	.193	
4 x 8 (583)	4.33	7.87	2.0	.50	.394	.244	
6 x 10 (627)	6.30	9.84	2.0	.50	.575	.303	
8 x 12 (660)	7.87	12.4	2.0	.50	.717	.382	
10 x 14 (702)	9.84	13.98	2.0	.50	.894	.429	
12 x 16 (690)	12.40	15.75	2.0	.50	1.126	.484	
14 x 18 (710)	13.98	17.72	2.0	.50	1.268	.543	
16 x 20 (726)	15.75	19.69	2.0	.50	1.429	.602	

Asahi America Inc. 35 Green St Malden Ma 02148 Office 1-781-321-5409 Fax 1-781-321-4421

Email: asahi@asahi-america.com

Internet: www.asahi-america.com



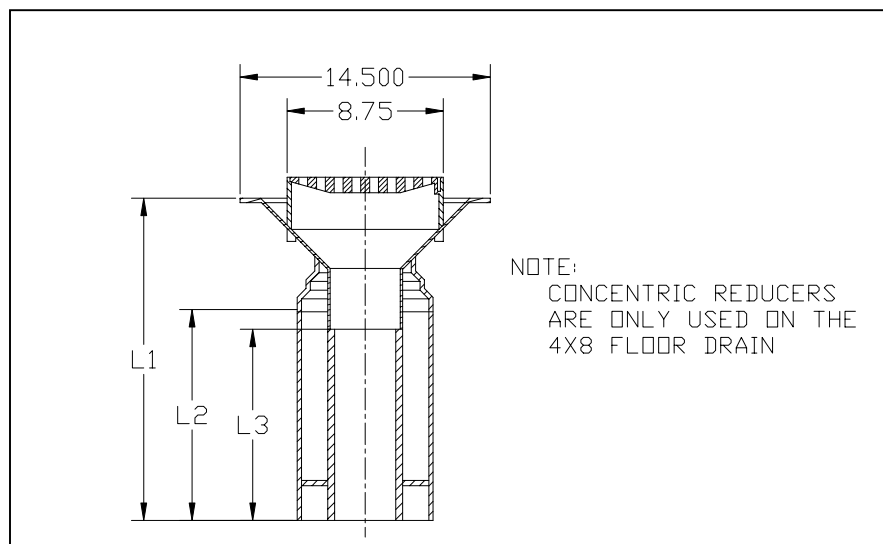
ASAHI/AMERICA®

Duo-Pro Double Contained Piping Systems

Pro45x45

ADJ- Floor Drain

Part Number 5379+(size code)



SIZE (Size Code)	L1 (in.)	L2 (in.)	L3 (in.)
2 x 4 (420)	18.0	15.5	6.0 + 3x2 EXT. LEG REDUCER
3 x 6 (531)	18.0	15.75	11.75
4 x 8 (583)	18.0	12	11.25
6 x 10 (627)	18.0	17	12

Si c!Dfc Supply Range

Dou!Dfc Size Ranges



PP	Pro150 x 150 Pro150 x 45 Pro45 x 45
PVDF	PVDF x Pro150 PVDF x Pro45 PVDF x PVDF
E-CTFE	Halar x Halar Halar x Pro150 Halar x Pro45

Fittings	Duo-Pro®		
	PP	PVDF	E-CTFE
Pipe 	1x3 to 16x20	1x3 to 12x16	1x3 to 4x8
90 	1x3 to 16x20	1x3 to 12x16	1x3 to 4x8
Tee 	1x3 to 16x20	1x3 to 12x16	1x3 to 4x8
45 	1x3 to 16x20	1x3 to 12x16	1x3 to 4x8
Reducer-Concentric 	(3x1) (6x3) to (14x12) (18x16)	(3x1) (6x3) to (10x4) (14x8)	(3x1) (6x3) to (4x3) (8x6)
Dogbone 	1x3 to 16x20	1x3 to 12x16	1x3 to 4x8
Restraint Dogbone 	1x3 to 16x20	1x3 to 12x16	1x3 to 4x8
End Termination 	1x3 to 16x20	1x3 to 12x16	1x3 to 4x8
2 PC End Termination 	Not Available	Not Available	Not Available
Reducer-Eccentric 	(3x1) (6x3) to (10x4)(14x18)	Not Available	Not Available
Low Point Station 	1x3 to 12x16	1x3 to 12x16	1x3 to 4x8
Access Tee 	1x3 to 12x16	1x3 to 12x16	1x3 to 4x8
Cap 	1x3 to 16x20	1x3 to 8x12	1x3 to 4x8
Dw Flange 	1x3 to 16x20	C.F.	Not Available
Lateral 	1x3 to 16x20	1x3 to 8x12	C.F.
Lateral w/ 1/8 Bend 	1x3 to 16x20	1x3 to 8x12	C.F.
P Trap 	1x3 to 16x20	1x3 to 8x12	1x3 to 4x8
Floor Drain 	2x4 to 6x10	2x4 to 4x8	C.F.
Clean Out 	1x3 to 16x20	1x3 to 6x10	C.F.
Sanitary Tee 	1x3 to 16x20	1x3 to 8x12	C.F.



www.asahi-america.com