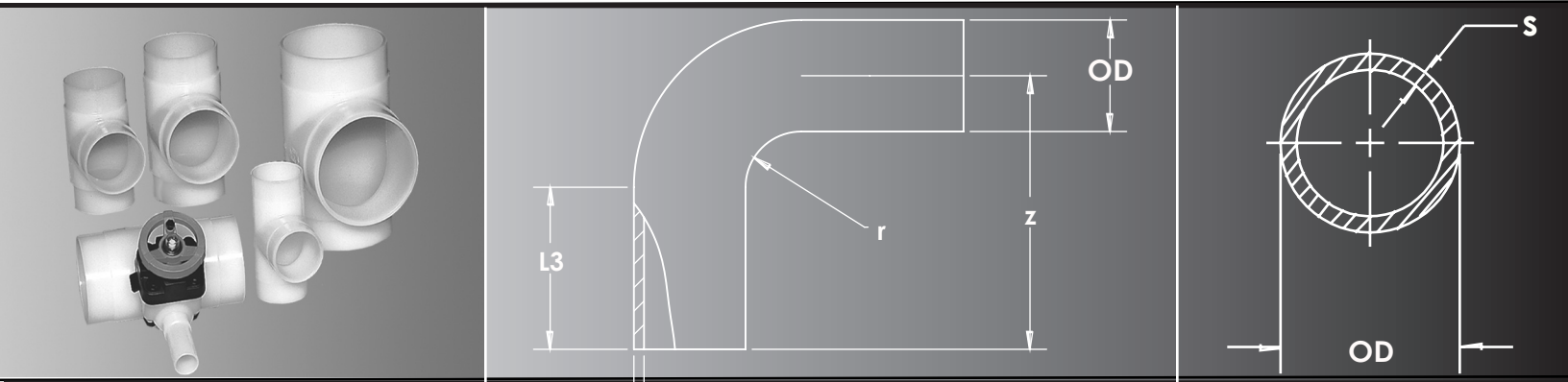


High Purity Piping Systems Dimensional Guide #HPDIM-1012

-PP-Pure[®] Pigmented Polypropylene



**Another
Corrosion
Problem
Solved.[™]**



www.asahi-america.com

High Purity Dimensional Guide

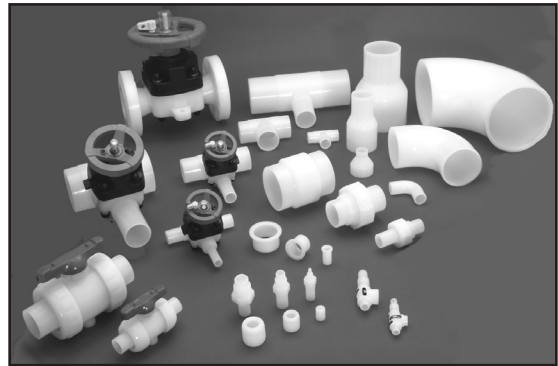
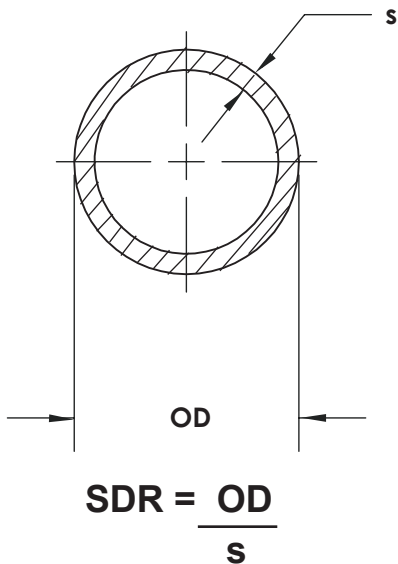
Piping systems engineered to meet the most demanding industrial applications

Together, with our internationally recognized partner Agru of Austria, Asahi/America provides the most comprehensive and technologically advanced high purity piping systems available. Purad® Ultra High Purity PVDF, PolyPure® Natural Polypropylene and PP-Pure® Pigmented Polypropylene offer more sizes, fittings and pressure ratings than from any other single source. This extensive product offering is supported by an experienced and knowledgeable group of staff engineers, technicians and sales agents, all ready to assist you with your applications requirement.

Note to this Guide:

All the systems are metric sized based on Standard Dimension Ratio or SDR pipe sizes. All systems have constant outside diameters exactly in millimetres, regardless of material. Imperial (inch) OD are provided as nominal sizes only.

Within the SDR System, nominal pressure ratings vary according to material but not OD. Pressure ratings generally remain constant within material and SDR classification. For example all SDR21 PVDF pipe and fittings are rated to 16 bar or 230 psi. Exceptions, if any, may be found in cases where valves or threads carry ratings independent of SDR sizing.



Purad® UHP PVDF

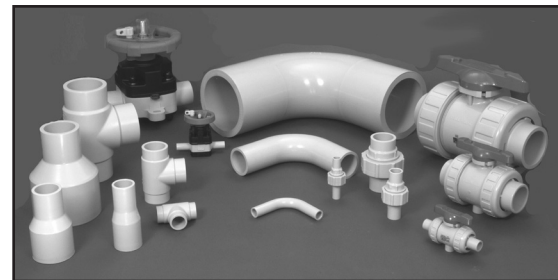
SDR21, PN16/230psi, Sizes 20-280mm

SDR33, PN10/150psi, Sizes 90-315mm



PolyPure® Natural PP

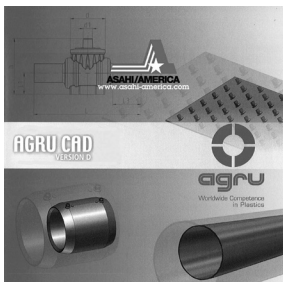
SDR11, PN10/150psi, Sizes 20-110mm



PP-Pure® Pigmented PP

SDR11, PN10/150psi, Sizes 20-315mm

AGRU CAD CD



Agru has released Agru CAD, a CAD part file generation software for their piping systems. This software allows users to download part models (drawings) in a wide variety of file formats. Copies of Agru CAD are available FREE of charge upon request, Please email us at asahi@asahi-america.com to request your copy. Use code PUB60070 when ordering.

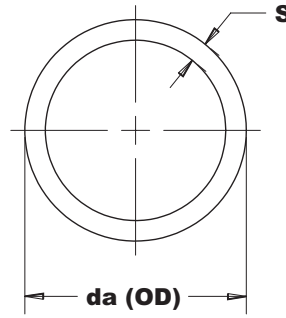
Please note this software is compatible with our Purad® PVDF, PolyPure® PPn, PP-Pure®, Chem Proline® PE, Proline® PP and Ultra Proline® E-CTFE (Halar®) piping systems.

Size Comparison of Common Process Piping Systems

Nominal Pipe Size	SDR11		SDR21		SDR33		SCH40		SCH80		SS Tube	
	OD (INCH)	ID (INCH)	OD (INCH)	ID (INCH)	OD (INCH)	ID (INCH)	OD (INCH)	ID (INCH)	OD (INCH)	ID (INCH)	OD (INCH)	ID (INCH)
1/2	0.787	0.591	0.787	0.644	-	-	0.840	0.622	0.840	0.546	0.50	0.37
3/4	0.984	0.766	0.984	0.830	-	-	1.050	0.82	1.050	0.742	0.75	0.62
1	1.260	1.020	1.260	1.071	-	-	1.315	1.049	1.315	0.957	1.00	0.87
1-1/4	1.575	1.288	1.575	1.381	-	-	1.660	1.380	1.660	1.278	-	-
1-1/2	1.969	1.611	1.969	1.734	-	-	1.900	1.610	1.900	1.500	1.50	1.37
2	2.480	2.029	2.480	2.244	-	-	2.375	2.067	2.375	1.939	2.00	1.87
2-1/2	2.953	2.416	2.953	2.672	-	-	2.875	2.469	2.875	2.323	2.50	2.37
3	3.543	2.899	3.543	3.206	3.543	3.329	3.500	3.068	3.500	2.900	3.00	2.87
4	4.331	3.543	4.331	3.918	4.331	4.068	4.500	4.026	4.500	3.826	4.00	3.84
6	6.299	5.154	6.299	5.699	6.299	5.917	6.625	6.065	6.625	5.761	6.00	5.78
8	7.874	6.442	7.874	7.124	7.874	7.397	8.625	7.981	8.625	7.625	-	-
9	8.858	7.248	8.858	8.015	8.858	8.321	-	-	-	-	-	-
10	9.843	8.053	9.843	8.905	9.843	9.246	10.75	10.020	10.75	9.564	-	-
12	12.402	10.147	12.402	11.220	12.402	11.650	12.75	11.938	12.75	11.376	-	-

Available SDR and Pressure Rating by Material Type

Material Type	SRD 11	SDR 21	SDR 33
Purad® PVDF	-	PN16/230psi 20-315mm	PN10/150psi 90-315mm
PolyPure® PPn	PN10/150psi 20-110mm	-	-
PP-Pure® PP	PN10/150psi 20-315mm	-	-



Pipe 5 meter-16.4' length

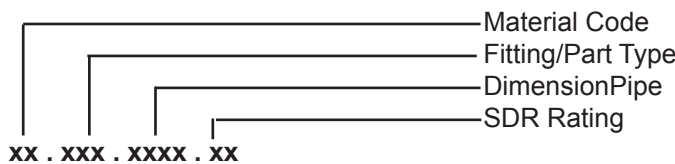
OD		PN 10 / SDR 11 / 150 PSI			
mm	inch	s	Weight (lbs/m)	Asahi P/N	Agru Code
20	1/2	0.075	0.30	9101005	72.705.0020.11
25	3/4	0.091	0.41	9101007	72.705.0025.11
32	1	0.114	0.57	9101010	72.705.0032.11
40	1-1/4	0.146	0.91	9101012	72.705.0040.11
50	1-1/2	0.181	1.41	9101015	72.705.0050.11
63	2	0.228	2.23	9101020	72.705.0063.11
75	2-1/2	0.268	3.09	9101025	72.705.0075.11
90	3	0.323	6.46	9101030	72.705.0090.11
110	4	0.394	6.64	9101040	72.705.0110.11
125	4-1/2	0.449	8.62	9101045	72.705.0125.11
140	5	0.500	10.74	9101050	72.705.0140.11
160	6	0.575	14.09	9101060	72.705.0160.11
180	7	0.646	17.79	9101070	72.705.0180.11
200	8	0.717	21.94	9101080	72.705.0200.11
225	9	0.807	27.76	9101090	72.705.0225.11
250	10	0.894	34.13	9101100	72.705.0250.11
280	11	1.000	42.78	9101110	72.705.0280.11
315	12	1.126	54.13	9101120	72.705.0315.11

Pipe & Fitting OD size is metric, inch OD provided as nominal size only PN 10/150 psi & PN 16/230 psi pressure rating.

Components listed in this section contain both Agru code identifications and Asahi/America part numbers. Either can be used to identify the requested component. When using the Agru code, be sure to preface the numbers with the material identification code.

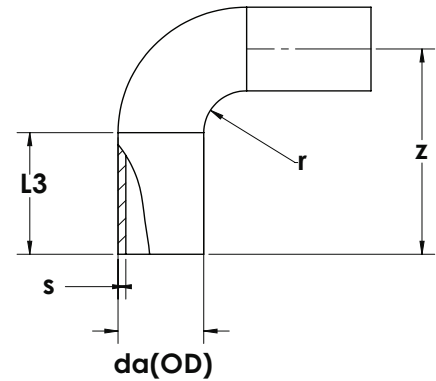
PP-Pure Material Code = 72

Code identification



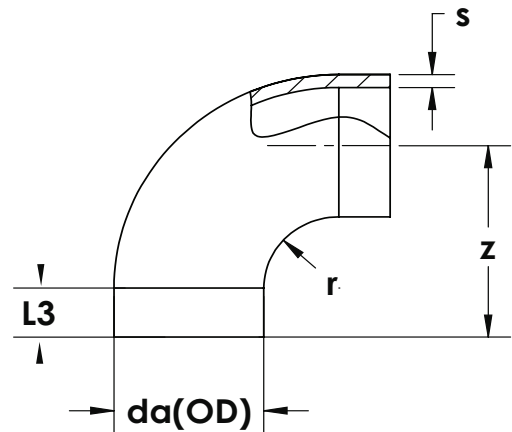
Example:
 - PP-Pure Pipe, OD 63mm, SDR11 Code 72.705.0063.11

PP-Pure®
Pigmented PP



**Extended Leg
90° Elbow**

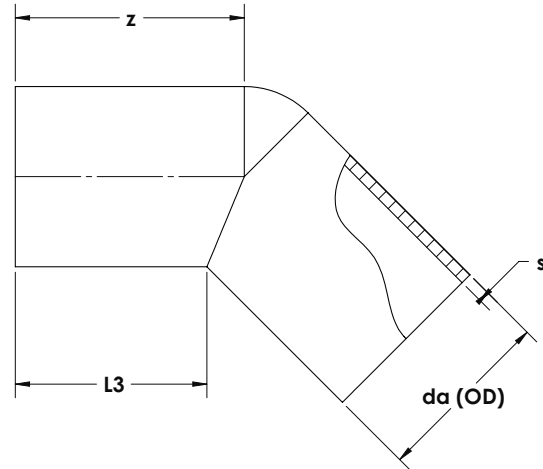
OD		Dimensions				PN 10 / SDR 11 / 150 PSI		
mm	inch	s	z	r	L3	Weight (lbs)	Asahi P/N	Agro Code
20	1/2	0.075	2.323	0.787	1.457	0.04	9102005	72.068.0020.11
25	3/4	0.091	2.618	0.984	1.535	0.07	9102007	72.068.0025.11
32	1	0.114	3.091	1.260	1.732	0.11	9102010	72.068.0032.11
40	1-1/4	0.146	3.602	1.575	1.929	0.20	9102012	72.068.0040.11
50	1-1/2	0.181	4.213	1.969	2.205	0.31	9102015	72.068.0050.11
63	2	0.228	5.000	2.480	2.520	0.59	9102020	72.068.0063.11
75	2-1/2	0.268	5.827	2.953	2.835	0.95	9102025	72.068.0075.11
90	3	0.323	6.535	3.543	2.953	1.57	9102030	72.068.0090.11
110	4	0.394	7.421	4.331	2.953	2.54	9102040	72.068.0110.11
125	4-1/2	0.449	8.405	4.921	3.346	3.73	9102045	72.068.0125.11
140	5	0.500	9.232	5.512	3.543	5.16	9102050	72.068.0140.11
160	6	0.575	10.020	6.299	3.543	7.21	9102060	72.068.0160.11
180	7	0.646	11.201	7.087	3.937	9.97	9102070	72.068.0180.11
200	8	0.717	12.303	7.874	4.252	13.34	9102080	72.068.0200.11
225	9	0.807	13.563	8.858	4.528	18.30	9102090	72.068.0225.11



90° Elbow

OD		Dimensions				PN 10 / SDR 11 / 150 PSI		
mm	inch	s	z	r	L3	Weight (lbs)	Asahi P/N	Agro Code
250	10	0.717	12.303	7.874	4.252	13.34	9104100	72.001.0250.11
315	12	0.807	13.563	8.858	4.528	18.30	9104120	72.001.0315.11

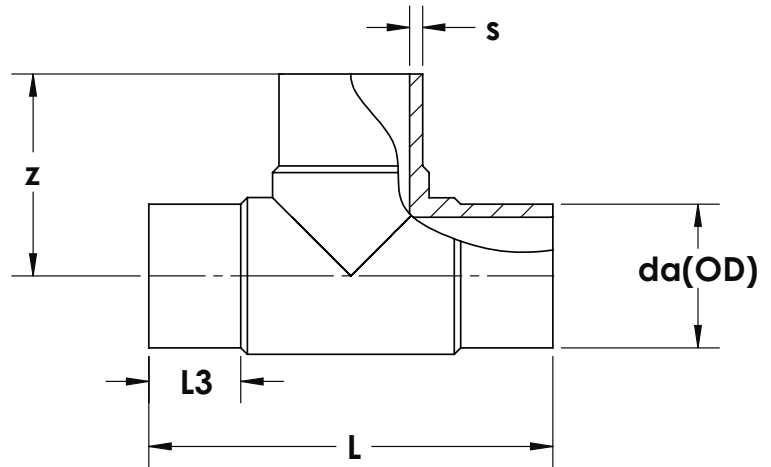
PP-Pure®
Pigmented PP



45° Elbow

OD		Dimensions			PN 10 / SDR 11 / 150 PSI		
mm	inch	s	z	L3	Weight (lbs)	Asahi P/N	Agru Code
20	1/2	0.075	1.732	1.535	0.02	9114005	72.060.0020.11
25	3/4	0.091	1.890	1.654	0.04	9114007	72.060.0025.11
32	1	0.114	2.244	1.929	0.09	9114010	72.060.0032.11
40	1-1/4	0.146	2.480	2.087	0.13	9114012	72.060.0040.11
50	1-1/2	0.181	2.756	2.244	0.22	9114015	72.060.0050.11
63	2	0.228	3.150	2.520	0.42	9114020	72.060.0063.11
75	2-1/2	0.268	3.543	2.756	0.59	9114025	72.060.0075.11
90	3	0.323	4.094	3.228	0.97	9114030	72.060.0090.11
110	4	0.394	4.252	3.228	1.54	9114040	72.060.0110.11
125	4-1/2	0.449	5.217	3.917	2.25	9114045	72.060.0125.11
140	5	0.500	5.354	3.937	3.11	9114050	72.060.0140.11
160	6	0.575	6.161	4.587	4.61	9114060	72.060.0160.11
180	7	0.646	6.949	5.177	6.17	9114070	72.060.0180.11
200	8	0.717	6.713	4.744	7.72	9114080	72.060.0200.11
225	9	0.807	7.185	4.941	10.56	9114090	72.060.0225.11
250	10	0.894	8.543	6.299	14.51	9114100	72.060.0250.11
280	11	1.000	9.370	6.614	19.45	9114110	72.060.0280.11
315	12	1.126	10.079	6.968	27.12	9114120	72.060.0315.11

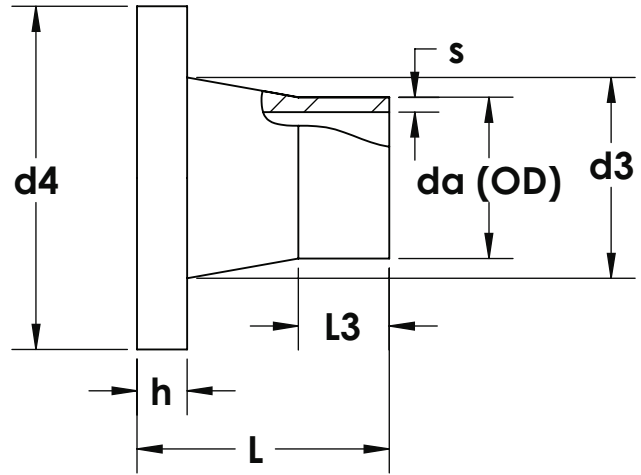
PP-Pure®
Pigmented PP



Tee

OD		Dimensions				PN / SDR 11 / 150 PSI		
mm	inch	s	z	L	L3	Weight (lbs)	Asahi P/N	Agro Code
20	1/2	0.075	1.339	2.677	0.689	0.04	9118005	72.006.0020.11
25	3/4	0.091	1.575	3.150	0.807	0.07	9118007	72.006.0025.11
32	1	0.114	1.772	3.543	0.807	0.09	9118010	72.006.0032.11
40	1-1/4	0.146	1.969	3.937	0.807	0.15	9118012	72.006.0040.11
50	1-1/2	0.181	2.362	4.724	0.906	0.29	9118015	72.006.0050.11
63	2	0.228	2.835	5.669	0.984	0.53	9118020	72.006.0063.11
75	2-1/2	0.268	2.953	5.984	0.591	0.88	9118025	72.006.0075.11
90	3	0.323	4.134	8.386	1.496	1.63	9118030	72.006.0090.11
110	4	0.394	4.803	9.961	2.008	2.73	9118040	72.006.0110.11
125	4-1/2	0.449	5.512	11.024	2.047	3.75	9118045	72.006.0125.11
140	5	0.500	5.984	12.008	2.087	5.40	9118050	72.006.0140.11
160	6	0.575	6.811	13.622	2.244	6.90	9118060	72.006.0160.11
180	7	0.646	7.323	14.646	2.244	8.44	9118070	72.006.0180.11
200	8	0.717	7.972	15.748	2.244	11.84	9118080	72.006.0200.11
225	9	0.807	8.760	17.520	2.244	18.54	9118090	72.006.0225.11
250	10	0.894	9.252	18.504	2.835	23.26	9118100	72.006.0250.11
280	11	1.000	10.630	21.260	3.150	27.50	9118110	72.006.0280.11
315	12	1.126	10.827	21.654	3.150	42.47	9118120	72.006.0315.11

PP-Pure®
Pigmented PP

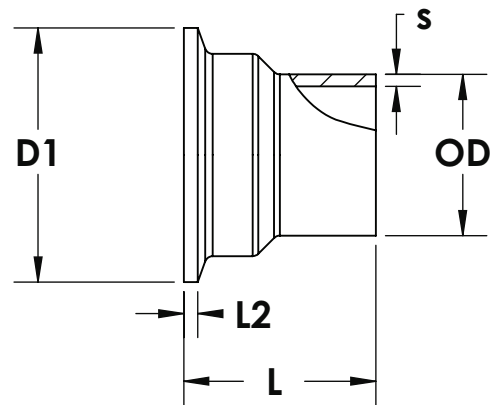


Stub End* (Flanged Adapter)

OD		Dimensions							PN 10 / SDR 11 / 150 PSI		
mm	inch	da	s	L	L3	d3	d4	h	Weight (lbs)	Asahi P/N	Agru Code
20	1/2	0.787	0.075	2.047	1.181	1.063	1.752	0.276	0.04	9130005	72.012.020.11
25	3/4	0.984	0.091	1.969	0.984	1.299	2.130	0.354	0.07	9130007	72.012.025.11
32	1	1.260	0.114	1.969	0.984	1.575	2.500	0.394	0.11	9130010	72.012.032.11
40	1-1/4	1.575	0.146	1.969	0.787	1.969	2.815	0.433	0.13	9130012	72.012.040.11
50	1-1/2	1.969	0.181	1.969	0.787	2.402	3.250	0.472	0.18	9130015	72.012.050.11
63	2	2.480	0.228	1.969	0.709	2.953	3.953	0.551	0.29	9130020	72.012.063.11
75	2-1/2	2.953	0.268	1.969	0.709	3.504	4.606	0.630	0.42	9130025	72.012.075.11
90	3	3.543	0.323	3.150	1.575	4.134	5.213	0.669	0.68	9130030	72.012.090.11
110	4	4.331	0.394	3.150	1.496	4.921	6.220	0.709	0.99	9130040	72.012.110.11
125	4-1/2	4.921	0.449	3.150	1.496	5.197	6.220	0.984	1.12	9130045	72.012.125.11
160	6	6.299	0.575	3.622	1.496	6.890	8.346	0.984	2.25	9130060	72.012.160.11
200	8	7.874	0.717	4.331	1.575	9.134	10.551	1.260	4.32	9130080	72.012.200.11
225	9	8.858	0.807	4.449	2.047	9.252	10.551	1.260	3.97	9130090	72.012.225.11
250	10	9.843	0.894	5.197	2.283	11.220	12.598	1.378	7.45	9130100	72.012.250.11
315	12	12.402	1.126	5.354	2.559	13.189	14.567	1.378	7.81	9130120	72.012.315.11

*Requires backing ring.

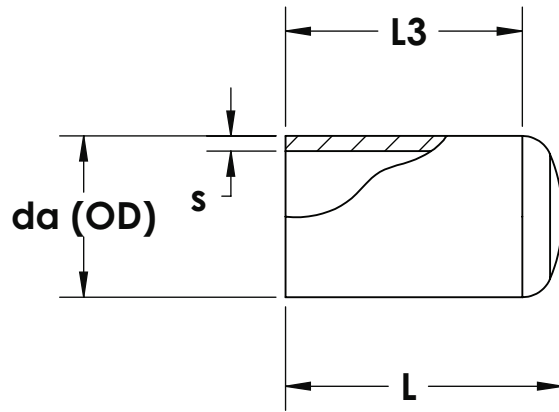
PP-Pure®
Pigmented PP



Sanitary Adapter

OD		Dimensions				PN 10 / SDR 11 / 150 PSI		
mm	inch	L2	L	D1	s	Weight (lbs)	Asahi P/N	Agru Code
20	1/2	0.142	1.500	0.984	0.098	0.07	9145005	-
25	3/4	0.110	1.500	1.984	0.106	0.07	9145007	-
32	1	0.110	1.500	1.984	0.114	0.07	9145010	-
40	1-1/4	0.110	1.500	1.984	0.146	0.09	9145012	-
50	1-1/2	0.110	1.500	2.490	0.181	0.09	9145015	-
63	2	0.110	1.500	2.990	0.228	0.09	9145030	-

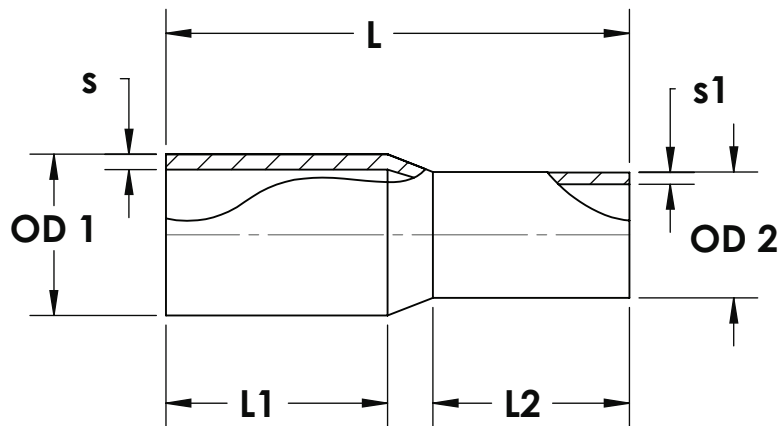
PP-Pure®
Pigmented PP



End Cap

OD		Dimensions				PN 10 / SDR 11 / 150 PSI		
mm	inch	da	s	L	L3	Weight (lbs)	Asahi P/N	Agro Code
20	1/2	0.787	0.075	1.850	1.614	0.02	9143005	72.064.0020.11
25	3/4	0.984	0.091	1.929	1.614	0.02	9143007	72.064.0025.11
32	1	1.260	0.114	2.165	1.850	0.04	9143010	72.064.0032.11
40	1-1/4	1.575	0.146	2.520	2.008	0.07	9143012	72.064.0040.11
50	1-1/2	1.969	0.181	2.874	2.362	0.11	9143015	72.064.0050.11
63	2	2.480	0.228	3.307	2.677	0.22	9143020	72.064.0063.11
75	2-1/2	2.953	0.268	3.661	2.953	0.35	9143025	72.064.0075.11
90	3	3.543	0.323	4.213	3.307	0.55	9143030	72.064.0090.11
110	4	4.331	0.394	5.276	3.819	0.93	9143040	72.064.0110.11
125	4-1/2	4.921	0.449	5.433	4.016	1.34	9143045	72.064.0125.11
140	5	5.512	0.500	5.669	4.173	1.79	9143050	72.064.0140.11
160	6	6.299	0.575	6.575	4.665	2.29	9143060	72.064.0160.11
180	7	7.087	0.646	7.520	5.551	3.66	9143070	72.064.0180.11
200	8	7.874	0.717	7.126	5.000	4.54	9143080	72.064.0200.11
225	9	8.858	0.807	8.307	5.551	6.35	9143090	72.064.0225.11
250	10	9.843	0.894	9.055	5.984	8.51	9143100	72.064.0250.11
280	11	11.024	1.000	10.118	6.378	11.55	9143110	72.064.0280.11
315	12	12.402	1.126	10.315	7.087	15.43	9143120	72.064.0315.11

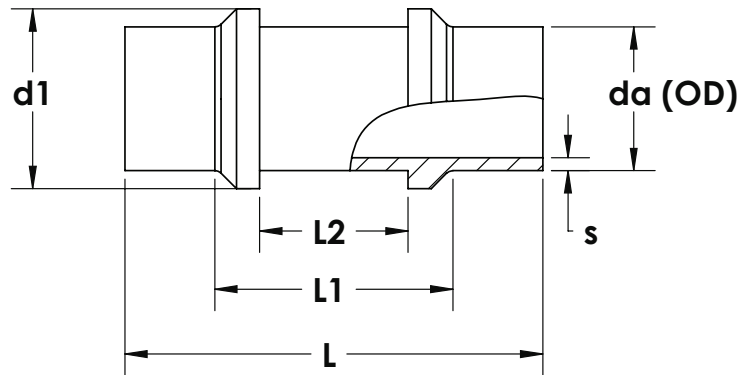
PP-Pure®
Pigmented PP



Concentric Reducer

OD		Dimensions					PN 10 / SDR 11 / 150 PSI		
mm	inch	s	L	L1	L2	s1	Weight (lbs)	Asahi P/N	Agro Code
25/20	3/4 x 1/2	0.091	3.425	1.575	1.614	0.075	0.04	9137101	72.067.2520.11
32/20	1 x 1/2	0.118	3.622	1.693	1.535	0.075	0.067	9137130	72.067.3220.11
32/25	1 x 3/4	0.118	3.622	1.732	1.535	0.091	0.067	9137131	72.067.3225.11
40/20	1-1/4 x 1/2	0.146	4.016	1.890	1.535	0.075	0.089	9137166	72.067.4020.11
40/25	1-1/4 x 3/4	0.146	4.016	1.890	1.535	0.091	0.089	9137167	72.067.4025.11
40/32	1-1/4 x 1	0.146	4.016	1.890	1.772	0.118	0.089	9137168	72.067.4032.11
50/25	1-1/2 x 3/4	0.181	4.646	2.165	1.732	0.091	0.13	9137210	72.067.5025.11
50/32	1 1/2 x 1	0.181	4.646	2.323	1.811	0.118	0.15	9137211	72.067.5032.11
50/40	1-1/2 x 1-1/4	0.181	4.961	2.244	1.929	0.146	0.18	9137212	72.067.5040.11
63/32	2 x 1	0.228	5.354	2.520	1.929	0.118	0.24	9137249	72.067.6332.11
63/40	2 x 1-1/4	0.228	5.039	2.323	1.969	0.146	0.26	9137251	72.067.6340.11
63/50	2 x 1	0.228	5.906	2.598	2.323	0.181	0.31	9137249	72.067.6350.11
75/50	2 x 1-1/4	0.268	5.827	2.520	2.283	0.181	0.37	9137250	72.067.7550.11
75/63	2 x 1-1/2	0.268	5.866	2.559	2.323	0.228	0.44	9137251	72.067.7563.11
90/63	3 x 2	0.323	6.181	2.835	2.362	0.228	0.57	9137338	72.067.9063.11
90/75	3 x 2-1/2	0.323	6.417	2.953	2.362	0.268	0.64	9137339	72.067.9075.11
110/63	4 x 2	0.394	7.087	3.268	2.480	0.228	0.95	9137420	72.067.1163.11
110/90	4 x 3	0.394	6.968	3.228	2.874	0.323	1.10	9137422	72.067.1190.11
160/90	6 x 3	0.575	8.543	4.016	2.913	0.323	2.29	9137531	72.067.1690.11
160/110	6 x 4	0.575	8.740	3.858	3.465	0.394	2.58	9137532	72.067.1611.11
200/160	8 x 6	0.717	9.921	4.409	4.016	0.575	4.98	9137585	72.067.2016.11
225/160	9 x 6	0.807	10.630	5.039	3.976	0.575	6.37	9137606	72.067.2216.11
250/160	10 x 6	0.894	12.362	6.102	4.449	0.575	9.00	9137627	72.067.2516.11
250/200	10 x 8	0.894	12.362	6.102	4.921	0.717	9.70	9137628	72.067.2521.11
250/225	10 x 9	0.894	12.402	6.024	5.236	0.807	9.70	9137629	72.067.2522.11
315/200	12 x 8	1.126	14.764	7.047	5.236	0.717	16.25	9137660	72.067.3120.11
315/225	12 x 9	1.126	14.764	6.614	5.315	0.807	16.50	9137670	72.067.3122.11
315/250	12 x 10	1.126	14.764	6.693	6.102	0.894	18.06	9137673	72.067.3125.11

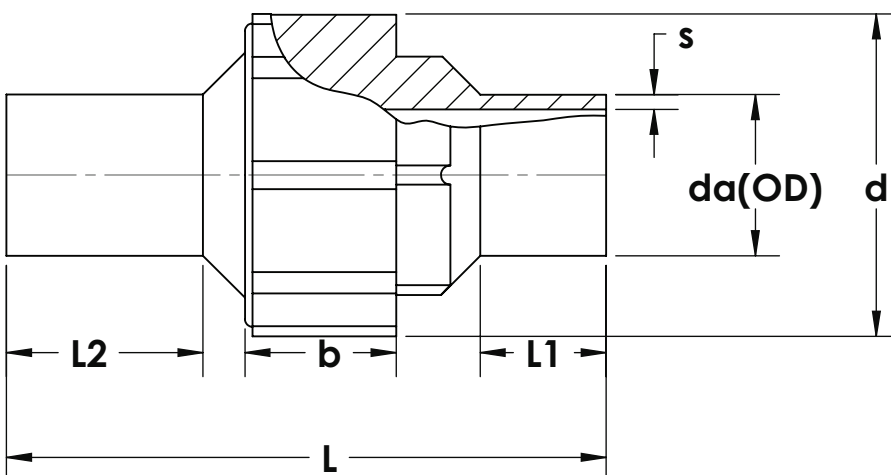
PP-Pure®
Pigmented PP



Restraint Fitting - Machined

OD		Dimensions						PN 10 / SDR 11 / 150 PSI		
mm	inch	da	s	L	L1	L2	d1	Weight (lbs)	Asahi P/N	Agru Code
20	1/2	0.787	0.0748	3.661	2.086	1.299	1.102	0.07	4161005	72.301.0020.11
25	3/4	0.984	0.0905	3.661	2.086	1.299	1.299	0.07	4161007	72.301.0025.11
32	1	1.260	0.1141	3.661	2.086	1.299	1.574	0.07	4161010	72.301.0032.11
40	1-1/4	1.575	0.1456	3.661	2.086	1.299	1.889	0.07	4161012	72.301.0040.11
50	1-1/2	1.969	0.1811	4.448	2.086	1.299	2.283	0.07	4161015	72.301.0050.11
63	2	2.480	0.2283	4.330	1.968	1.220	2.795	0.07	4161020	72.301.0063.11
75	2-1/2	2.953	0.2677	5.118	2.755	1.574	3.425	0.07	4161025	72.301.0075.11
90	3	3.543	0.3228	5.118	2.755	1.574	4.133	0.07	4161030	72.301.0090.11
110	4	4.331	0.3937	5.118	2.755	1.574	4.999	0.07	4161040	72.301.0110.11
160	6	6.299	0.5748	6.299	3.937	2.362	7.086	0.07	4161060	72.301.0160.11
200	8	7.874	0.7165	7.874	4.330	2.362	8.858	0.07	4161080	72.301.0200.11
225	9	8.858	0.8070	7.874	4.330	2.362	9.842	0.07	4161090	72.301.0225.11

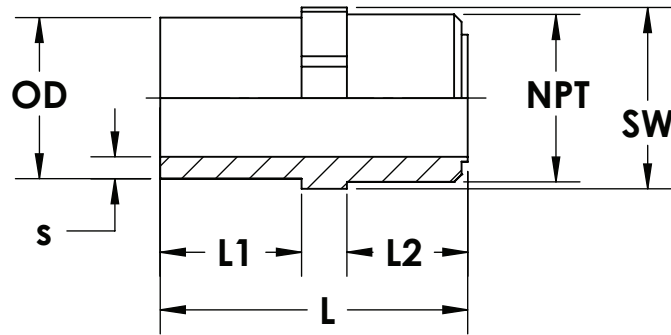
PP-Pure®
Pigmented PP



Union - Type 24 FKM

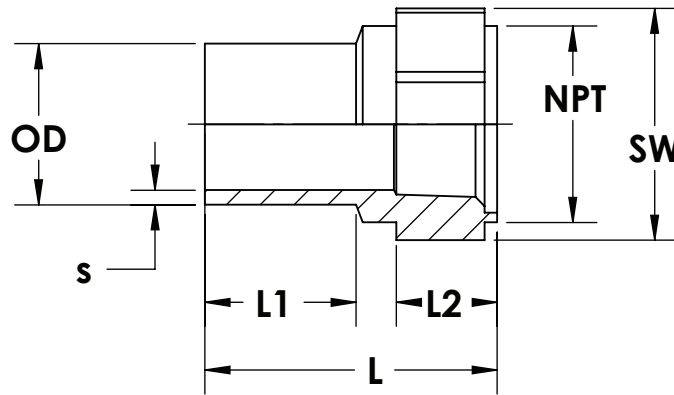
OD		Dimensions						PN 10 / SDR 11 / 150 PSI		
mm	inch	s	L	L1	L2	d	b	Weight (lbs)	Asahi P/N	Agru Code
20	1/2	0.0748	4.212	0.944	0.944	1.850	0.944	0.11	9134005	72.024.0120.11
25	3/4	0.0905	4.409	0.944	0.944	2.244	1.023	0.18	9134007	72.024.0125.11
32	1	0.1141	4.685	0.984	0.984	2.519	1.181	0.24	9134010	72.024.0132.11
40	1-1/4	0.1456	4.921	0.984	0.984	3.070	1.220	0.40	9134012	72.024.0140.11
50	1-1/2	0.1811	5.118	0.984	0.984	3.503	1.377	0.55	9134015	72.024.0150.11
63	2	0.2283	5.354	0.984	0.984	4.291	1.535	0.88	9134020	72.024.0163.11

PP-Pure®
Pigmented PP



Male Adapter

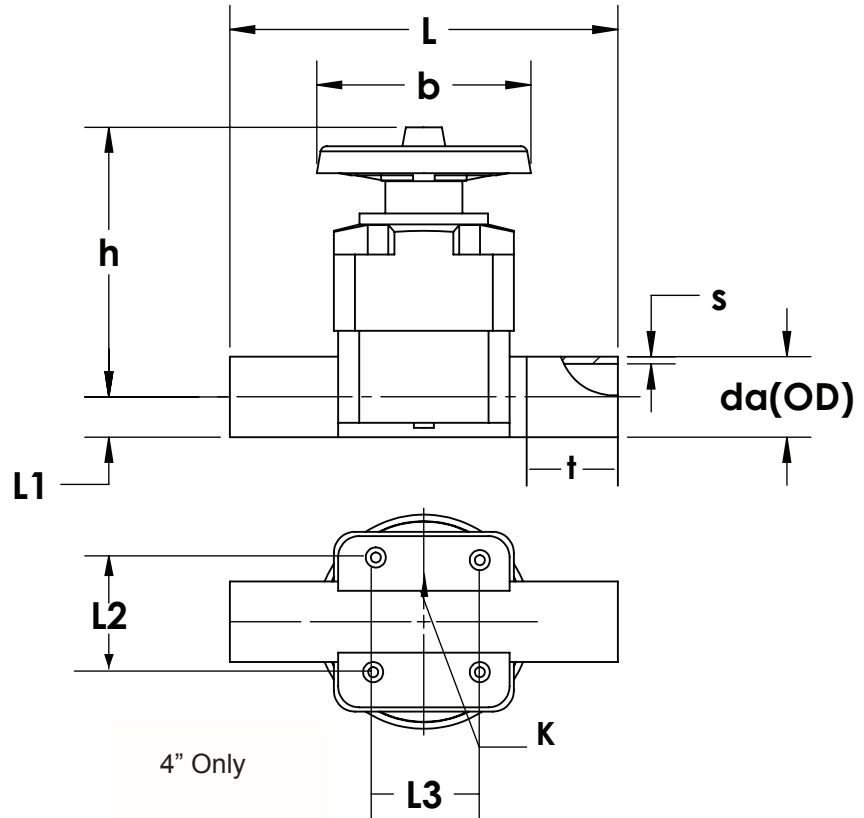
OD		Dimensions						PN 10 / SDR 11 / 150 PSI		
mm	inch	s	L	L1	L2	SW	NPT	Weight (lbs)	Asahi Part #	Agru Code
20	1/2	0.098	1.811	0.748	0.709	0.866	0.500	0.02	9147005	72.033.2021.11
25	3/4	0.106	2.008	0.866	0.787	1.063	0.750	0.02	9147007	72.033.2526.11
32	1	0.114	2.402	1.102	0.945	1.417	1.000	0.07	9147010	72.033.3233.11
40	1-1/4	0.146	2.598	1.142	1.024	1.811	1.250	0.13	9147012	72.033.4041.11
50	1-1/2	0.181	2.913	1.260	1.102	2.165	1.500	0.13	9147015	72.033.5051.11
63	2	0.228	3.150	1.378	1.220	2.559	2.000	0.13	9147020	72.033.6364.11



Female Adapter

OD		Dimensions						PN 10 / SDR 11 / 150 PSI		
mm	inch	s	L	L1	L2	SW	NPT	Weight (lbs)	Asahi Part #	Agru Code
20	1/2	0.098	1.772	0.827	0.630	1.260	0.500	0.02	9149005	72.032.2021.11
25	3/4	0.106	1.969	0.984	0.669	1.614	0.750	0.07	9149007	72.032.2526.11
32	1	0.114	2.283	1.181	0.787	1.811	1.000	0.09	9149010	72.032.3233.11
40	1-1/4	0.146	2.441	1.181	0.945	2.165	1.250	0.13	9149012	72.032.4041.11
50	1-1/2	0.181	2.677	1.339	0.945	2.756	1.500	0.22	9149015	72.032.5051.11
63	2	0.228	2.953	1.417	1.102	3.346	2.000	0.35	9149020	72.032.6364.11

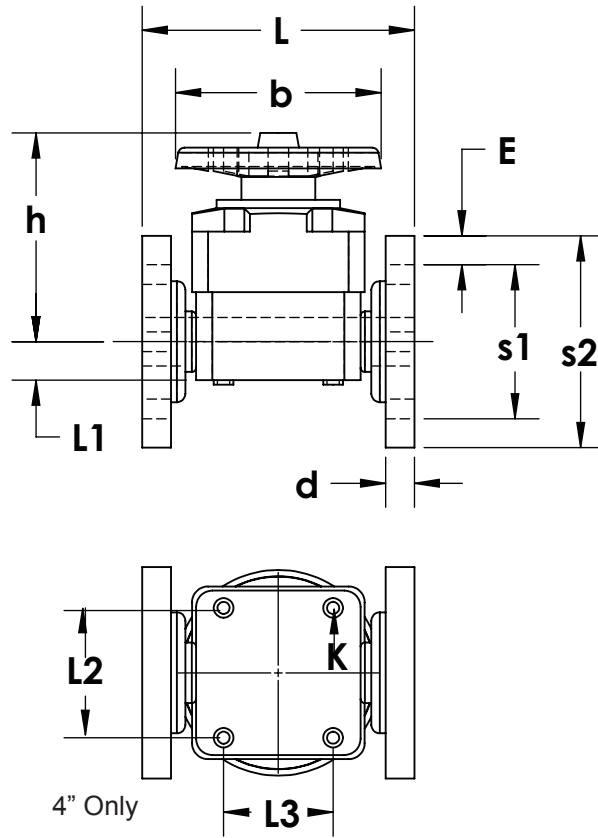
PP-Pure® Pigmented PP



T-342 Diaphragm Valve
-Manually Controlled
-EPDM/PTFE Diaphragm

OD		Dimensions									PN 10 / SDR 11 / 150 PSI		
mm	inch	s	L	L1	L2	L3	h	b	t	K	Weight (lbs)	Asahi Part #	Agru Code
20	1/2	0.098	5.236	0.650	0.965	-	3.937	3.346	1.279	M6	1.01	1403005	72.342.1520.11
25	3/4	0.106	5.669	0.650	0.965	-	3.937	3.346	1.279	M6	1.01	1403007	72.342.1525.11
32	1	0.114	6.063	0.807	0.965	-	4.213	3.346	1.279	M6	1.43	1403010	72.342.1532.11
40	1-1/4	0.146	7.598	1.004	1.732	-	5.669	5.315	1.279	M8	3.52	1403012	72.342.1540.11
50	1-1/2	0.181	7.638	1.260	1.732	-	5.669	5.315	1.279	M8	3.30	1403015	72.342.1550.11
63	2	0.228	8.819	1.516	1.732	-	6.693	5.315	1.279	M8	4.97	1403020	72.342.1563.11
75	2-1/2	0.268	11.181	0.984	9.055	-	10.000	9.213	1.279	M12	12.65	1403025	72.342.1575.11
90	3	0.323	11.811	0.984	9.055	-	10.000	9.213	1.279	M12	11.66	1403030	72.342.1590.11
110	4	0.394	13.386	0.984	11.024	3.346	12.598	9.213	1.279	M12	22.22	1403040	72.342.1511.11

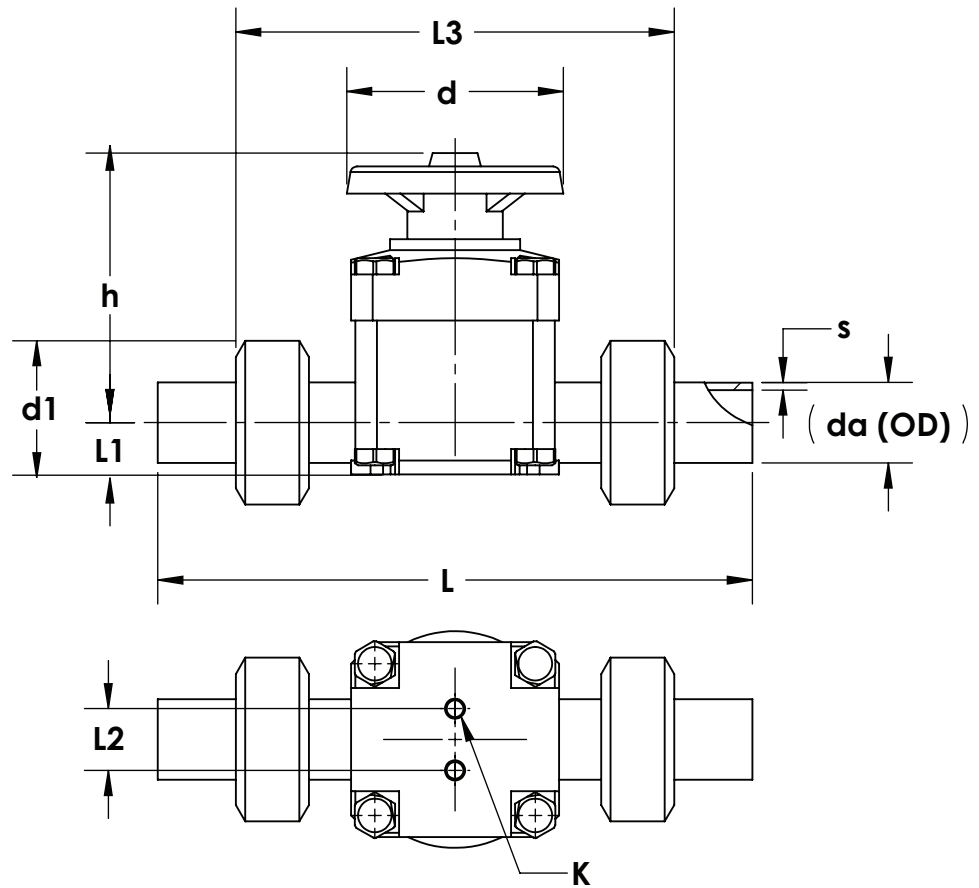
PP-Pure®
Pigmented PP



T-342 Diaphragm Valve
-Flanged Connection
-Manually Controlled
-EPDM/PTFE Diaphragm

PP-Pure®
 Pigmented PP

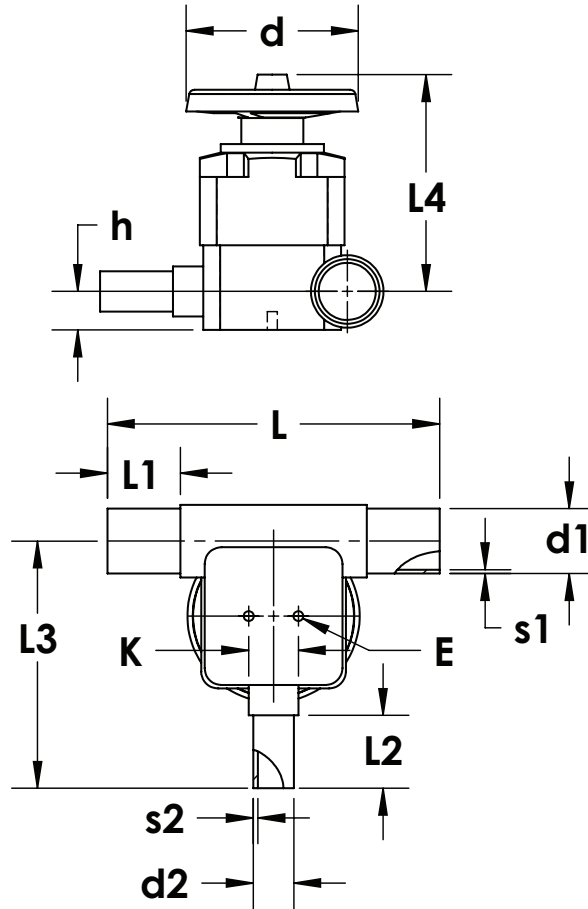
OD		Dimensions											PN 10 / SDR 11 / 150 PSI		
mm	inch	L	L1	L2	L3	s1	s2	d	h	b	K	E	Weight (lbs)	Asahi Part #	Agro Code
20	1/2	8.661	0.669	0.957	-	2.559	3.740	0.472	3.937	3.346	M6	M12	2.16	9181005	72.242.1520.11
25	3/4	9.449	0.669	0.957	-	2.953	4.252	0.472	3.937	3.346	M6	M12	1.39	9181007	72.242.1525.11
32	1	9.843	0.827	0.957	-	3.336	4.528	0.630	4.213	3.346	M6	M12	3.52	9181010	72.342.1532.11
40	1-1/4	7.087	1.004	1.732	-	3.500	5.512	0.748	5.433	5.354	M8	M16	3.94	9181012	72.342.1740.11
50	1-1/2	7.874	1.260	1.732	-	3.874	5.906	0.906	5.669	5.354	M8	M16	4.07	9181015	72.342.1750.11
63	2	9.055	1.516	1.732	-	4.724	6.496	0.984	6.693	5.354	M8	M16	5.04	9181020	72.342.1763.11
90	3	12.205	0.984	9.055	-	5.906	7.874	1.417	10.000	9.213	M12	M16	13.95	9181030	72.342.1790.11
110	4	13.780	0.984	11.024	3.346	6.890	9.055	1.378	12.598	9.213	M12	M16	25.70	91810040	72.342.1711.11



T-342 Diaphragm Valve
-True Union Connection
-Manually Controlled
-EPDM/PTFE Diaphragm

OD											PN 10 / SDR 11 / 150 PSI		
mm	inch	s	L	L1	L2	L3	d	d1	h	K	Weight (lbs)	Asahi Part #	Agro Code
20	1/2	0.098	7.795	0.650	0.965	3.543	3.386	1.870	3.937	M6	1.19	9164005	72.340.0020.11
25	3/4	0.106	8.740	0.650	0.965	4.252	3.386	2.283	3.937	M6	1.28	9164007	72.340.0025.11
32	1	0.114	9.291	0.807	0.965	4.567	3.386	2.559	4.213	M6	1.80	9164010	72.340.0032.11
40	1-1/4	0.146	10.236	1.004	1.732	5.276	5.354	3.110	5.669	M8	3.65	9164012	72.340.0040.11
50	1-1/2	0.181	11.260	1.260	1.732	6.063	5.354	3.543	5.669	M8	4.07	9164015	72.340.0050.11
63	2	0.228	12.677	1.516	1.732	7.244	5.354	4.331	6.693	M8	4.99	9164020	72.340.0063.11

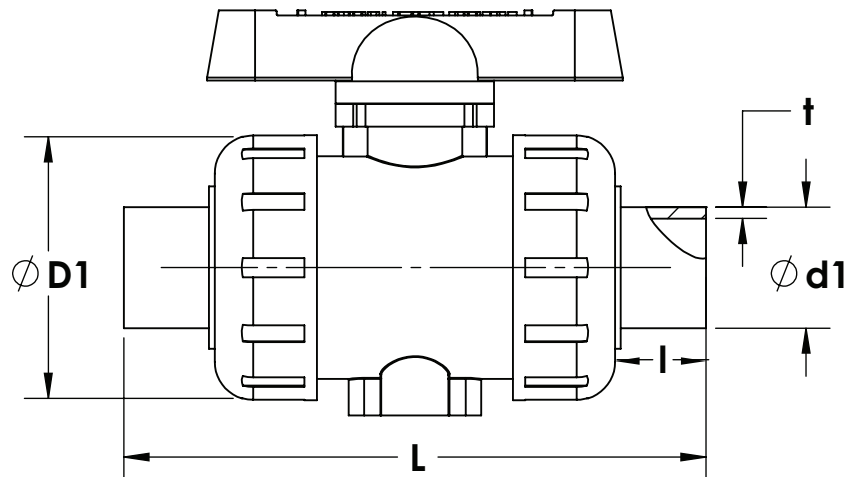
PP-Pure®
Pigmented PP



T-343 Diaphragm Valve
-Manually Controlled
-EPDM/PTFE Diaphragm

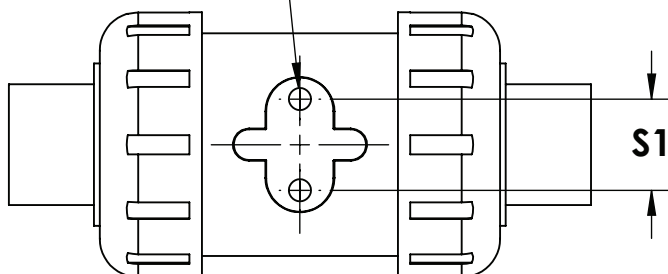
OD		Dimensions													PN 10 / SDR 11 / 150 PSI		
mm	inch	d1	d2	s1	L	L1	L2	L3	L4	s2	d	h	K	E	Weight (lbs)	Asahi P/N	Agro Code
20/20	1/2 x 1/2	0.787	0.787	0.075	6.457	1.417	1.417	4.409	4.213	0.075	3.346	0.638	0.984	M6	1.06	9146005	72.343.2021.11
32/20	1 x 1/2	1.260	0.787	0.114	6.457	1.417	1.417	4.803	4.213	0.075	3.346	0.748	0.965	M6	1.50	9146130	72.343.3221.11
32/25	1 x 3/4	1.260	0.984	0.114	6.457	1.417	1.417	4.803	4.213	0.091	3.346	0.748	0.965	M6	1.50	9146131	72.343.3226.11
32/32	1 x 1	1.260	1.260	0.114	6.457	1.417	1.417	4.803	4.213	0.114	3.346	0.748	0.965	M6	1.50	9146010	72.343.3233.11
40/20	1-1/4 x 1/2	1.575	0.787	0.146	7.244	1.811	1.417	5.000	4.287	0.098	3.346	0.787	0.965	M6	1.67	9146166	72.343.4021.11
40/25	1-1/4 x 3/4	1.575	0.984	0.146	7.244	1.811	1.417	5.000	4.287	0.106	3.346	0.787	0.965	M6	1.56	9146167	72.343.4026.11
40/32	1-1/4 x 1	1.575	1.260	0.146	7.244	1.811	1.417	5.000	4.484	0.114	3.346	0.787	0.965	M6	1.65	9146168	72.343.4033.11
50/20	1-1/2 x 1/2	1.969	0.787	0.181	7.244	1.811	1.417	5.177	4.394	0.075	3.346	0.866	0.965	M6	1.80	9146208	72.343.5021.11
50/32	1-1/2 x 1	1.969	1.260	0.181	7.244	1.811	1.417	5.177	4.591	0.114	3.346	0.866	0.965	M6	1.80	9146211	72.343.5033.11
63/32	2 x 1	2.480	1.260	0.228	7.244	1.811	1.417	5.433	4.591	0.114	3.346	0.866	0.965	M6	1.96	9146249	72.343.6333.11

PP-Pure® Pigmented PP



2- $\phi S2$ Depth $S3$

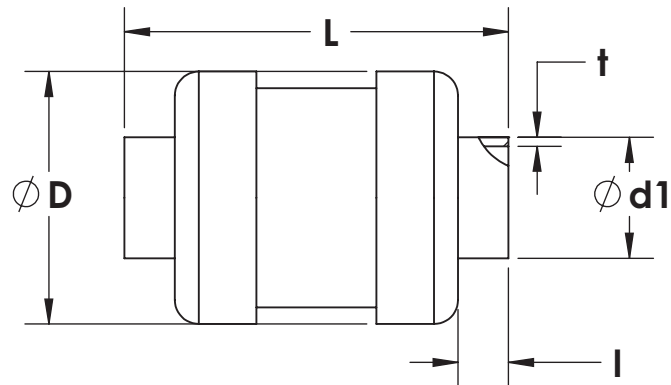
Sizes
1/2" - 2" only



Type-21 Ball Valve

OD		Dimension								Weight (lbs)	Asahi P/N	Asahi P/N
mm	inch	D1	d1	l	t	L	S1	S2	S3		FKM	EPDM
20	1/2	1.89	0.787	0.728	0.098	4.882	0.75	0.29	0.43	0.50	1485005	1434005
25	3/4	2.36	0.984	0.866	0.106	5.670	0.75	0.29	0.43	0.80	1485007	1434007
32	1	2.76	1.260	0.866	0.118	6.063	0.75	0.29	0.43	1.10	1485010	1434010
40	1-1/4	3.23	1.575	1.024	0.146	6.850	1.18	0.35	0.59	2.30	1485012	1434012
50	1-1/2	3.94	1.969	1.260	0.181	7.638	1.18	0.35	0.59	2.50	1485015	1434015
63	2	4.96	2.480	1.414	0.228	8.819	1.18	0.35	0.59	2.70	1485020	1434020
75	2-1/2	5.24	2.953	1.496	0.272	9.72	1.84	N/A	N/A	6.20	1485025	1434025
90	3	5.98	3.543	1.496	0.323	11.61	2.17	N/A	N/A	9.70	1485030	1434030
110	4	8.27	4.331	1.752	0.394	12.72	2.56	N/A	N/A	24.0	1485040	1434040

PP-Pure®
Pigmented PP

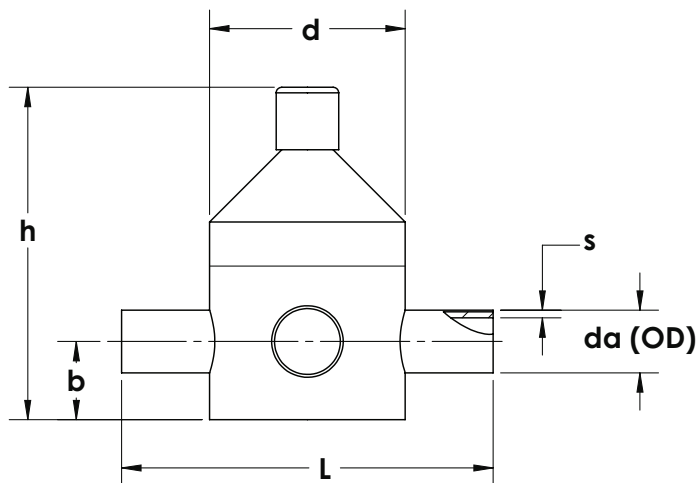


**Ball Check Valve
Spigot End**

*Dimensions for Asahi machined butt/IR end

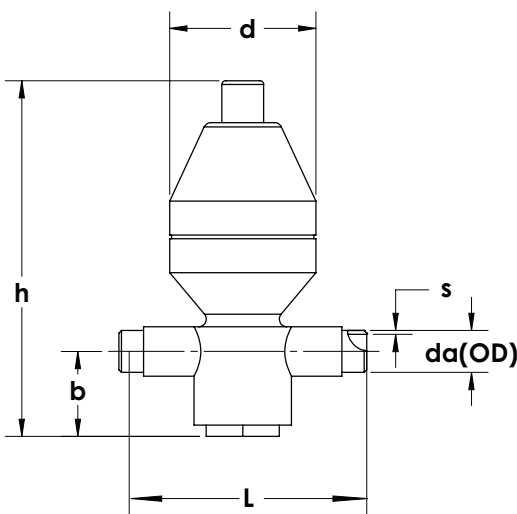
OD		Dimensions					Asahi P/N
mm	inch	D	d1	l	t	L	
20	1/2	1.89	0.787	0.728	0.098	4.00	1430005
25	3/4	2.36	0.984	0.866	0.106	4.35	1430007
32	1	2.76	1.260	0.866	0.118	4.75	1430010
40	1-1/4	3.78	-	-	-	-	1430012*
50	1-1/2	3.78	1.969	1.260	0.181	5.75	1430015
63	2	4.17	2.480	1.414	0.228	6.50	1430020

PP-Pure®
Pigmented PP



V82 Pressure Regulator w/ Gauge Guard

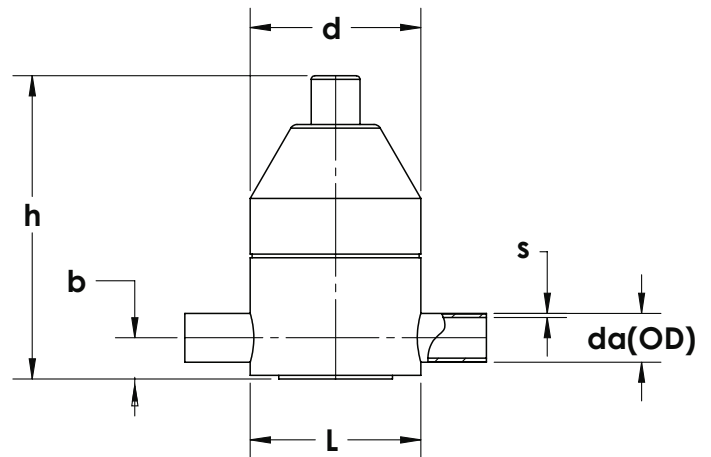
OD		Dimensions						Range	Weight (lbs)	Asahi P/N
mm	inch	DN	d	L	b	h	s	psi		
20	1/2	0.591	2.756	5.906	1.181	5.118	0.075	7.25-145	1.17	910241005
25	3/4	0.787	3.937	7.480	1.575	6.693	0.075	7.25-145	2.38	910241007
32	1	0.984	3.937	7.480	1.575	6.693	0.094	7.25-145	2.90	910241010
40	1-1/4	1.260	5.118	9.449	2.165	9.055	0.094	7.25-145	5.52	910241012
50	1-1/2	1.575	5.118	9.449	2.165	9.055	0.118	7.25-145	5.52	910241015
63	2	1.969	6.102	10.236	2.953	11.220	0.118	7.25-145	8.71	910241020
75	2-1/2	2.559	7.480	11.811	3.937	13.780	0.142	7.25-145	17.40	910241025



V782 Pressure Regulator

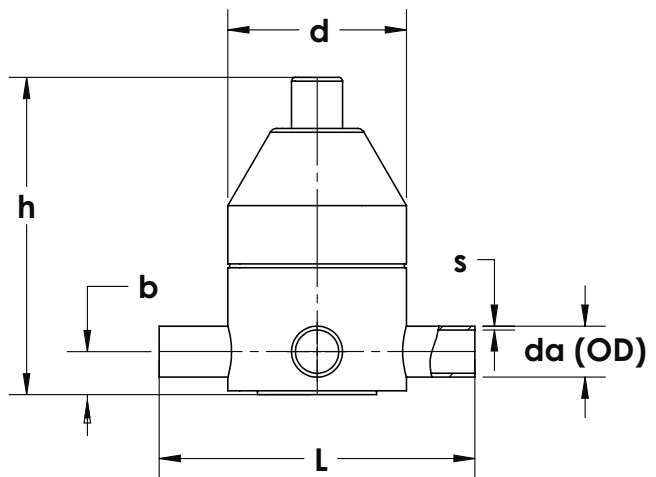
OD		Dimensions						Range	Weight (lbs)	Asah P/N
mm	inch	DN	d	L	b	h	s	psi		
20	1/2	0.591	3.268	6.772	1.890	9.449	0.075	7.25-145	1.10	910243005
25	3/4	0.787	4.409	7.480	2.559	10.709	0.075	7.25-145	3.08	910243007
32	1	0.984	4.409	7.480	2.559	10.709	0.094	7.25-145	3.08	910243010
40	1-1/4	1.260	6.496	10.315	3.740	14.016	0.094	7.25-145	8.58	910243012
50	1-1/2	1.575	6.496	10.315	3.740	14.016	0.118	7.25-145	8.58	910243015

PP-Pure®
Pigmented PP



V186 Back Pressure Regulator

OD		Dimensions						Range	Weight (lbs)	Asahi P/N
mm	inch	DN	d	L	b	h	s	psi		
20	1/2	0.591	3.268	6.220	0.787	5.394	0.075	7.25-145	0.86	54244005
25	3/4	0.787	3.268	6.220	0.787	5.394	0.075	7.25-145	0.88	54244007
32	1	0.984	4.409	7.795	1.063	7.835	0.094	7.25-145	2.27	54244010
40	1-1/4	1.260	4.409	7.795	1.063	7.835	0.094	7.25-145	2.27	54244012
50	1-1/2	1.575	6.496	10.315	1.693	11.417	0.118	7.25-145	9.68	54244015
63	2	1.969	6.496	10.315	1.693	11.417	0.118	7.25-145	9.90	54244020



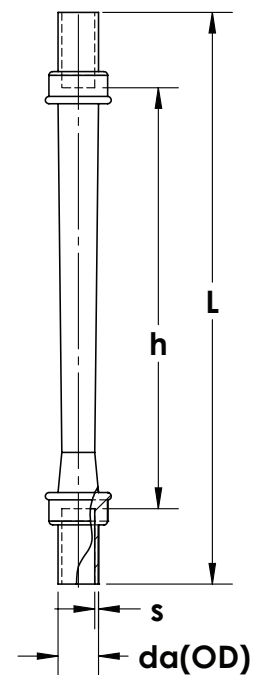
V185 Pressure Relief T-Valve

OD		Dimensions						Range	Weight (lbs)	Asahi P/N
mm	inch	DN	d	L	b	h	s	psi		
20	1/2	0.591	3.268	6.220	0.787	5.394	0.075	7.25-145	0.88	54245005
25	3/4	0.787	3.268	6.220	0.787	5.394	0.075	7.25-145	1.98	54245007
32	1	0.984	4.409	7.795	1.063	7.835	0.094	7.25-145	1.98	54245010
40	1-1/4	1.260	4.409	7.795	1.063	7.835	0.094	7.25-145	2.40	54245012
50	1-1/2	1.575	6.496	10.315	1.693	11.417	0.118	7.25-145	9.68	54245015
63	2	1.969	6.496	10.315	1.693	11.417	0.118	7.25-145	9.90	54245020

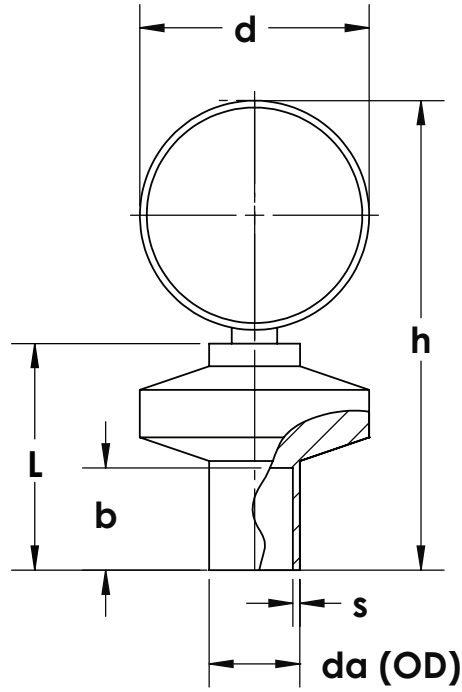
PP-Pure® Pigmented PP

M335 Flowmeter

Size		Flow Rate	SDR 21 / PN 11 / 150 PSI				Asahi Part #
mm	inch		da(OD)	L	h	s	
20	1/2	0.44 -4.4 GPM (100 -1000 LPH)	0.787	17.91	13.19	0.075	910247010
25	3/4		0.984	17.91	13.19	0.091	910247011
25	3/4	0.88 -8.8 GPM (200 -2000 LPH)	0.984	17.91	13.19	0.091	910247012
32	1		1.26	17.91	13.19	0.114	910247013
25	3/4	1.1-11 GPM (250 -2500 LPH)	0.984	17.91	13.19	0.091	910247014
32	1		1.26	17.91	13.19	0.114	910247015
32	1	1.32 -13.2 GPM (300 -3000 LPH)	1.26	18.11	13.19	0.114	910247016
40	1-1/4		1.575	18.11	13.19	0.146	910247017
40	1-1/4	2.64 -26.4 GPM (600 -6000 LPH)	1.575	18.62	13.19	0.146	910247018
50	1-1/2		1.969	18.62	13.19	0.181	910247019
63	2	4.4 -44 GPM (1000 -10000 LPH)	2.48	18.62	13.19	0.228	910247020
50	1-1/2		1.969	18.62	13.19	0.181	910247021
63	2	6.6 -66 GPM (1500 -15000 LPH)	2.48	18.62	13.19	0.228	910247022
75	2-1/2		2.953	18.62	13.19	0.268	910247023
63	2	8.8 -88 GPM (2000 -20000 LPH)	2.48	18.62	13.19	0.228	910247024
75	2-1/2		2.953	23.11	13.19	0.268	910247025
90	3	13.2 -132 GPM (3000 -30000 LPH)	3.543	23.11	13.19	0.323	910247026
63	2		2.48	23.11	13.19	0.228	910247027
75	2-1/2	8.8 -88 GPM (2000 -20000 LPH)	2.953	23.11	13.19	0.268	910247028
90	3		3.543	23.11	13.19	0.323	910247029
110	4	13.2 -132 GPM (3000 -30000 LPH)	4.331	23.11	13.19	0.394	910247030
75	2-1/2		2.953	23.11	13.19	0.268	910247031
90	3		3.543	23.11	13.19	0.323	910247032
110	4		4.331	23.11	13.19	0.394	910247033



PP-Pure®
Pigmented PP



Z701 Gauge Guard*

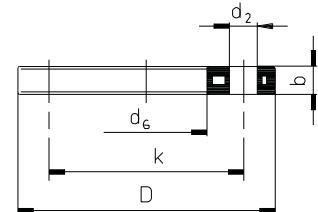
OD		Dimensions					Range	Weight (lbs)	Asahi P/N
mm	inch	d	L	b	h	s	psi		
25	3/4	2.480	2.835	1.181	5.079	0.075	145.000	0.70	54248007
32	1	3.937	3.937	1.181	8.268	0.094	145.000	1.47	54248010

* No Gauge

PP-Pure®
Pigmented PP

Proline 150 PP Blind Flange

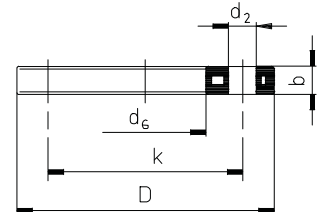
- with Steel Insert
- Molded



OD		Dimensions					up to a pressure rate of 16 bar acc. DIN 16962 part5			
[mm]	[inch]	D	k	d ₂	b	Bolt Holes	Torque [ft/lbs]	Agru Code	Asahi Part #	Weight (lbs)
20	½"	3.740	2 3/8"	5/8"	0.472	4	11	11.043.0020.11	5042005	0.49
25	¾"	4.016	2 3/4"	5/8"	0.472	4	11	11.043.0025.11	5042007	0.62
32	1"	4.488	3 1/8"	5/8"	0.630	4	11	11.043.0032.11	5042010	0.93
40	1¼"	5.118	3 1/2"	5/8"	0.630	4	18	11.043.0040.11	5042012	1.12
50	1½"	5.236	3 7/8"	5/8"	0.709	4	26	11.043.0050.11	5042015	1.32
63	2"	6.378	4 7/8"	3/4"	0.709	4	26	11.043.0063.11	5042020	1.92
75	2½"	7.244	5 1/2"	3/4"	0.709	4	30	11.043.0075.11	5042025	2.29
90	3"	7.638	6"	3/4"	0.709	4	30	11.043.0090.11	5042030	2.43
110	4"	9.016	7 1/2"	3/4"	0.709	8	30	11.043.0110.11	5042040	3.57
160	6"	11.142	9 1/2"	7/8"	0.945	8	44	11.043.0160.11	5042060	5.47
200	8"	13.583	11 3/4"	7/8"	0.945	8	52	11.043.0200.11	5042080	7.80
250	10"	16.220	14 1/4"	1"	1.063	12	74	11.043.0250.11	5042100	14.18
315	12"	19.173	17"	1"	1.260	12	81	11.043.0315.11	5042120	27.87

Proline 150 PP Backing Ring

- with Steel Insert
- Molded



OD		Dimensions					up to a pressure rate of 16 bar acc. DIN 16962 part5				
[mm]	[inch]	D	k	d ₆	d ₂	b	Bolt Holes	Torque [ft/lbs]	Agru Code	Asahi Part #	Weight (lbs)
20	½"	3.740	2 3/8"	1.102	5/8"	0.472	4	11	11.013.0020.11	5046005	0.49
25	¾"	4.016	2 3/4"	1.339	5/8"	0.472	4	11	11.013.0025.11	5046007	0.62
32	1"	4.488	3 1/8"	1.654	5/8"	0.630	4	11	11.013.0032.11	5046010	0.93
40	1¼"	5.118	3 1/2"	2.008	5/8"	0.630	4	18	11.013.0040.11	5046012	1.12
50	1½"	5.236	3 7/8"	2.441	5/8"	0.709	4	26	11.013.0050.11	5046015	1.32
63	2"	6.378	4 7/8"	3.071	3/4"	0.709	4	26	11.013.0063.11	5046020	1.92
75	2½"	7.244	5 1/2"	3.622	3/4"	0.709	4	30	11.013.0075.11	5046025	2.29
90	3"	7.638	6"	4.370	3/4"	0.709	4	30	11.013.0090.11	5046030	2.43
110	4"	9.016	7 1/2"	5.236	3/4"	0.709	8	30	11.013.0110.11	5046040	3.57
160	6"	11.142	9 1/2"	7.008	7/8"	0.945	8	44	11.013.0160.11	5046060	5.47
200	8"	13.583	11 3/4"	9.291	7/8"	0.945	8	52	11.013.0200.11	5046080	7.80
250	10"	16.220	14 1/4"	11.339	1"	1.063	12	74	11.013.0250.11	5046100	14.18
315	12"	19.173	17"	13.307	1"	1.260	12	81	11.013.0315.11	5046120	27.87

225mm (9") AND 200mm (8") Stub Ends use 8" ANSI Backing Ring.
Consult factory for Backing Ring Details larger than 12".

Another Corrosion Problem Solved.TM



35 Green St., Malden, MA 02148

Tel: 800-343-3618; 781-321-5409

**Direct Sales: East (800) 232-7244
Central (800) 442-7244
West (800) 282-7244**

Fax: 800-426-7058

www.asahi-america.com

asahi@asahi-america.com
