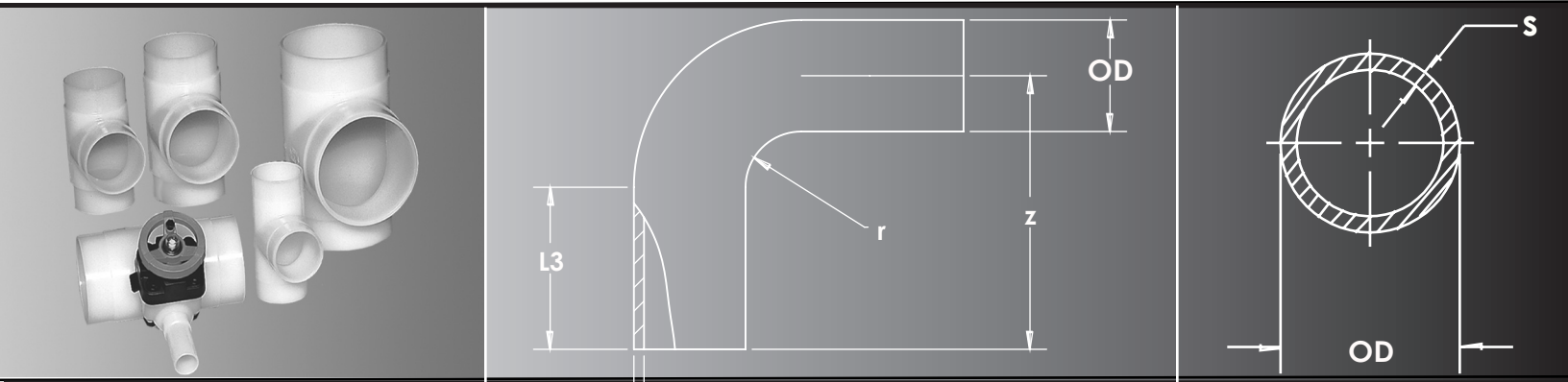


High Purity Piping Systems Dimensional Guide #HPDIM-1012

-Purad[®] UHP PVDF



**Another
Corrosion
Problem
Solved.[™]**



www.asahi-america.com

High Purity Dimensional Guide

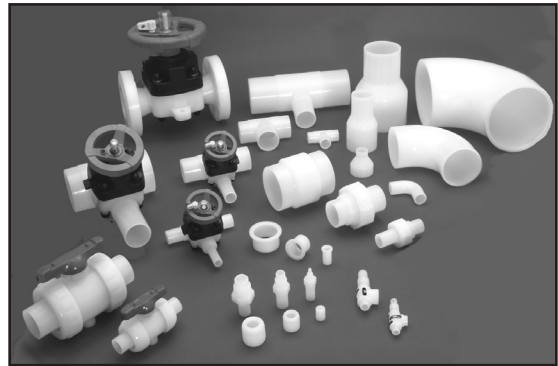
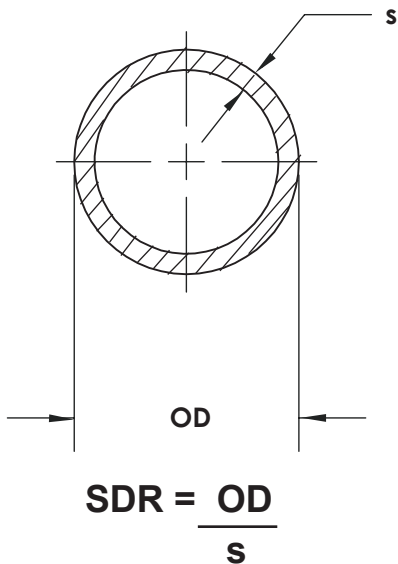
Piping systems engineered to meet the most demanding industrial applications

Together, with our internationally recognized partner Agru of Austria, Asahi/America provides the most comprehensive and technologically advanced high purity piping systems available. Purad® Ultra High Purity PVDF, PolyPure® Natural Polypropylene and PP-Pure® Pigmented Polypropylene offer more sizes, fittings and pressure ratings than from any other single source. This extensive product offering is supported by an experienced and knowledgeable group of staff engineers, technicians and sales agents, all ready to assist you with your applications requirement.

Note to this Guide:

All the systems are metric sized based on Standard Dimension Ratio or SDR pipe sizes. All systems have constant outside diameters exactly in millimetres, regardless of material. Imperial (inch) OD are provided as nominal sizes only.

Within the SDR System, nominal pressure ratings vary according to material but not OD. Pressure ratings generally remain constant within material and SDR classification. For example all SDR21 PVDF pipe and fittings are rated to 16 bar or 230 psi. Exceptions, if any, may be found in cases where valves or threads carry ratings independent of SDR sizing.



Purad® UHP PVDF

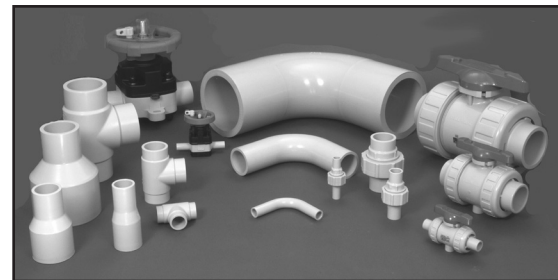
SDR21, PN16/230psi, Sizes 20-280mm

SDR33, PN10/150psi, Sizes 90-315mm



PolyPure® Natural PP

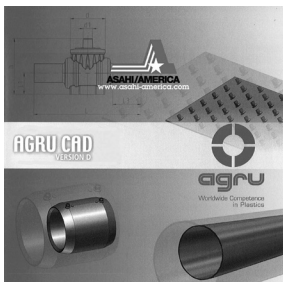
SDR11, PN10/150psi, Sizes 20-110mm



PP-Pure® Pigmented PP

SDR11, PN10/150psi, Sizes 20-315mm

AGRU CAD CD



Agru has released Agru CAD, a CAD part file generation software for their piping systems. This software allows users to download part models (drawings) in a wide variety of file formats. Copies of Agru CAD are available FREE of charge upon request, Please email us at asahi@asahi-america.com to request your copy. Use code PUB60070 when ordering.

Please note this software is compatible with our Purad® PVDF, PolyPure® PPn, PP-Pure®, Chem Proline® PE, Proline® PP and Ultra Proline® E-CTFE (Halar®) piping systems.

Size Comparison of Common Process Piping Systems

Nominal Pipe Size	SDR11		SDR21		SDR33		SCH40		SCH80		SS Tube	
	OD (INCH)	ID (INCH)	OD (INCH)	ID (INCH)	OD (INCH)	ID (INCH)	OD (INCH)	ID (INCH)	OD (INCH)	ID (INCH)	OD (INCH)	ID (INCH)
1/2	0.787	0.591	0.787	0.644	-	-	0.840	0.622	0.840	0.546	0.50	0.37
3/4	0.984	0.766	0.984	0.830	-	-	1.050	0.82	1.050	0.742	0.75	0.62
1	1.260	1.020	1.260	1.071	-	-	1.315	1.049	1.315	0.957	1.00	0.87
1-1/4	1.575	1.288	1.575	1.381	-	-	1.660	1.380	1.660	1.278	-	-
1-1/2	1.969	1.611	1.969	1.734	-	-	1.900	1.610	1.900	1.500	1.50	1.37
2	2.480	2.029	2.480	2.244	-	-	2.375	2.067	2.375	1.939	2.00	1.87
2-1/2	2.953	2.416	2.953	2.672	-	-	2.875	2.469	2.875	2.323	2.50	2.37
3	3.543	2.899	3.543	3.206	3.543	3.329	3.500	3.068	3.500	2.900	3.00	2.87
4	4.331	3.543	4.331	3.918	4.331	4.068	4.500	4.026	4.500	3.826	4.00	3.84
6	6.299	5.154	6.299	5.699	6.299	5.917	5.563	5.047	5.563	4.813	6.00	5.78
8	7.874	6.442	7.874	7.124	7.874	7.397	6.625	6.065	6.625	5.761	-	-
9	8.858	7.248	8.858	8.015	8.858	8.321	8.625	7.981	8.625	7.625	-	-
10	9.843	8.053	9.843	8.905	9.843	9.246	10.75	10.020	10.75	9.564	-	-
12	12.402	10.147	12.402	11.220	12.402	11.650	12.75	11.938	12.75	11.376	-	-

Available SDR and Pressure Rating by Material Type

Material Type	SRD 11	SDR 21	SDR 33
Purad® PVDF	-	PN16/230psi 20-315mm	PN10/150psi 90-315mm
PolyPure® PPn	PN10/150psi 20-110mm	-	-
PP-Pure® PP	PN10/150psi 20-315mm	-	-

Purad

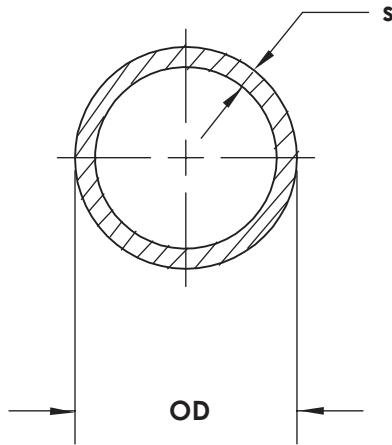
IR/Butt Pipe and Fittings

Pipe.....6
 Extended Leg 90° and 90° Elbow.....7
 45° Elbow.....8
 Tee and Extended Leg Tee.....9
 Stub End.....10
 Extended Leg Concentric Reducer.....11
 Machined Flush Reducer.....12
 Stepped Concentric Reducer and Reducing Tee.....14
 Fabricated Flushed Reducing Tee.....15
 Union and Union Blank.....16
 Female and Male Adapter.....17
 Sanitary Adapter.....18
 Flare Adapter and Hose Barb.....19
 End Cap.....20
 Restraint Fitting.....21
 Instrumentation Fitting.....22
 Probe Adapter.....23

Socket Fittings

90° Elbow.....24
 45° Elbow and Coupling.....25
 Tee and Stub End.....26
 Union and End Cap.....27
 Female and Male Adapter.....28
 Concentric Reducer.....29
 T-342 Diaphragm Valve.....30
 T-342 Diaphragm Valve (Flanged).....31
 T-342 Diaphragm Valve (True Union).....32
 T-343 Diaphragm Valve.....33
 Type-21 Ball Valve and Sampling Valve.....35
 Ball Check Valve and Angle Needle Valve.....36
 V82 and V782 Pressure Regulator.....37
 V186 Back Pressure Regulator and V185 Pressure Relief Valve.....38

This page left blank intentionally.



Pipe

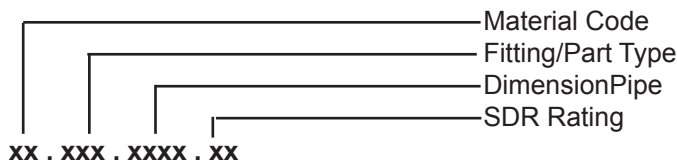
OD		SDR 21 / PN 16 / 230 PSI					SDR 33 / PN 10 / 150 PSI				
mm	inch	OD	s	Weight (lbs/ft)	Asahi P/N	Agru Code	OD	s	Weight (lbs/ft)	Asahi P/N	Agru Code
20	1/2	0.787	0.075	0.14	5401005	35.705.0020.21	-	-	-	-	-
25	3/4	0.984	0.075	0.18	5401007	35.705.0025.21	-	-	-	-	-
32	1	1.260	0.094	0.30	5401010	35.705.0032.21	-	-	-	-	-
40	1-1/4	1.575	0.094	0.37	5401012	35.705.0040.21	-	-	-	-	-
50	1-1/2	1.969	0.118	0.57	5401015	35.705.0050.21	-	-	-	-	-
63	2	2.480	0.118	0.73	5401020	35.705.0063.21	-	-	-	-	-
75	2-1/2	2.953	0.142	1.04	5401025	35.705.0075.21	-	-	-	-	-
90	3	3.543	0.169	1.49	5403030	35.705.0090.21	3.543	0.110	0.99	5401030	35.705.0090.33
110	4	4.331	0.209	2.23	5403040	35.705.0110.21	4.331	0.134	1.48	5401040	35.705.0110.33
160	6	6.299	0.303	4.68	5403060	35.705.0160.21	6.299	0.193	3.05	5401060	35.705.0160.33
200	8	7.874	0.378	7.22	5403080	35.705.0200.21	7.874	0.244	4.82	5401080	35.705.0200.33
225	9	8.858	0.425	9.19	5403090	35.705.0225.21	8.858	0.272	6.02	5401090	35.705.0225.33
250	10	9.843	0.469	11.25	5403100	35.705.0250.21	9.843	0.303	7.44	5401100	35.705.0250.33
315	12	12.402	0.591	17.81	5403120	35.705.0315.21	12.402	0.382	11.80	5401120	35.705.0315.33

Pipe & Fitting OD size is metric, inch OD provided as nominal size only PN 10/150 psi & PN16/230psi pressure rating.

Components listed in this section contain both Agru code identifications and Asahi/America part numbers. Either can be used to identify the requested component. When using the Agru code, be sure to preface the numbers with the material identification code.

Purad Material Code = 35

Code identification

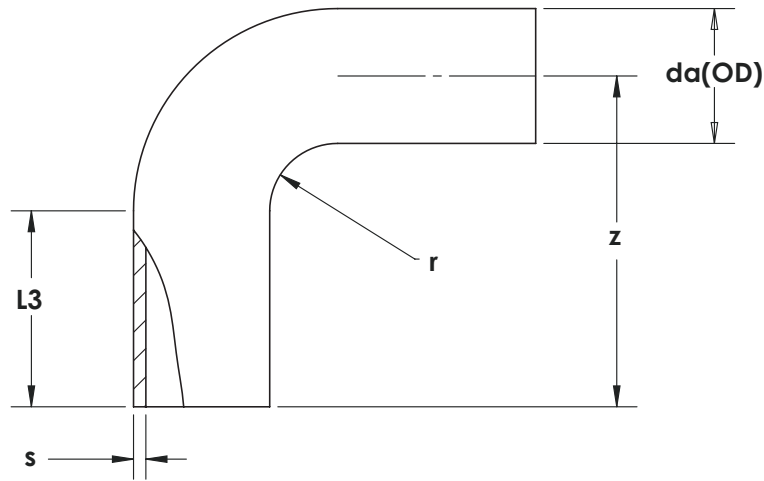


Example:

- Purad Pipe, OD 63mm, SDR21Code 35.705.0063.21

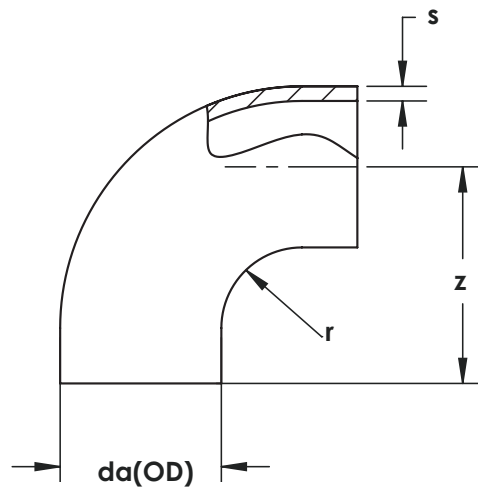


**Extended Leg
90° Elbow**



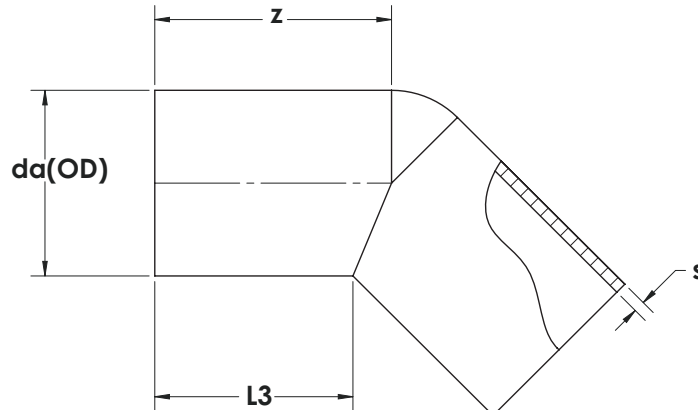
OD		Dimensions				SDR 21 / PN 16 / 230 PSI			SDR 33 / PN 10 / 150 PSI			
mm	inch	z	r	L3	s	Weight (lbs)	Asahi P/N	Agru Code	s	Weight (lbs)	Asahi P/N	Agru Code
20	1/2	2.008	0.787	1.299	0.075	0.04	5402005	35.068.0020.21	-	-	-	-
25	3/4	2.205	0.984	1.299	0.075	0.07	5402007	35.068.0025.21	-	-	-	-
32	1	2.480	1.260	1.299	0.094	0.13	5402010	35.068.0032.21	-	-	-	-
40	1-1/4	2.835	1.575	1.417	0.094	0.18	5402012	35.068.0040.21	-	-	-	-
50	1-1/2	3.307	1.969	1.417	0.118	0.31	5402015	35.068.0050.21	-	-	-	-
63	2	3.819	2.480	1.378	0.118	0.46	5402020	35.068.0063.21	-	-	-	-
75	2-1/2	3.937	2.953	1.102	0.142	0.68	5402025	35.068.0075.21	-	-	-	-
90	3	4.843	3.543	1.339	0.169	1.19	5402030	35.068.0090.21	0.110	0.88	5429030	35.068.0090.33
110	4	5.591	4.331	1.339	0.209	2.16	5402040	35.068.0110.21	0.134	1.57	5429040	35.068.0110.33

90° Elbow



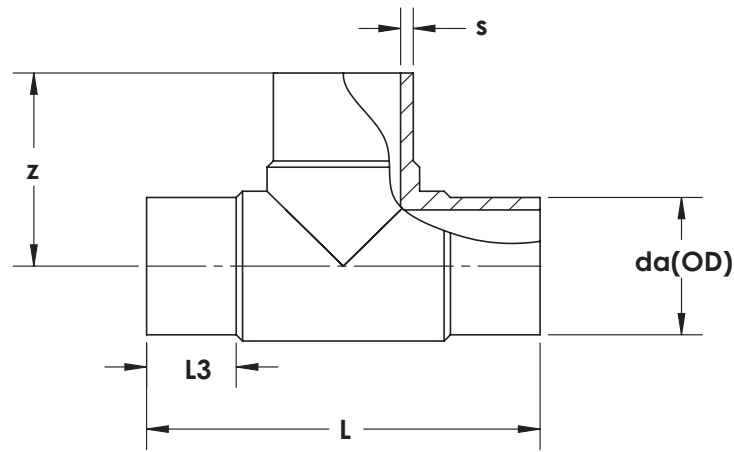
OD		Dimensions			SDR 21 / PN 16 / 230 PSI			SDR 33 / PN 10 / 150 PSI			
mm	inch	z	r	s	Weight (lbs)	Asahi P/N	Agru Code	s	Weight (lbs)	Asahi P/N	Agru Code
160	6	7.131	6.186	0.303	4.64	5410060	35.001.0160.21	0.193	3.41	5407060	35.001.0160.33
200	8	8.550	7.722	0.378	8.71	5410080	35.001.0200.21	0.244	6.40	5407080	35.001.0200.33
225	9	9.574	8.865	0.426	12.2	5410090	35.001.0225.21	0.272	8.60	5407090	35.001.0225.33
250	10	11.308	9.850	0.469	17.9	5410100	35.001.0250.21	0.303	12.9	5407100	35.001.0250.33
315	12	13.317	11.820	0.591	31.8	5410120	35.001.0315.21	0.382	22.1	5407120	35.001.0315.33

Purad®
UHP PVDF



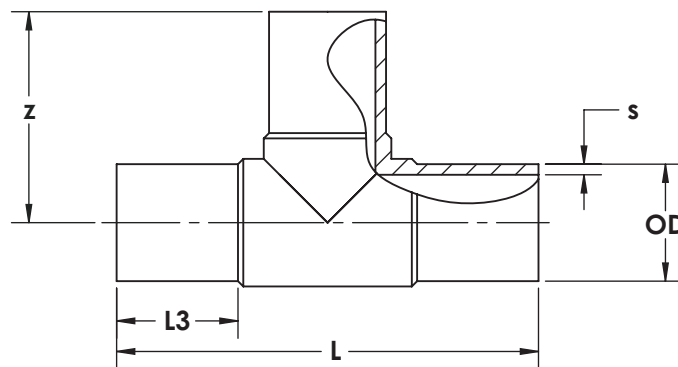
45° Elbow

OD		Dimensions			SDR 21 / PN 16 / 230 PSI			SDR 33 / PN 10 / 150 PSI			
mm	inch	z	L3	s	Weight (lbs)	Asahi P/N	Agro Code	s	Weight (lbs)	Asahi P/N	Agro Code
20	1/2	1.694	1.537	0.075	0.04	5414005	35.060.0020.21	-	-	-	-
25	3/4	1.773	1.576	0.075	0.07	5414007	35.060.0025.21	-	-	-	-
32	1	2.049	1.812	0.094	0.11	5414010	35.060.0032.21	-	-	-	-
40	1-1/4	2.285	1.970	0.094	0.18	5414012	35.060.0040.21	-	-	-	-
50	1-1/2	2.600	2.206	0.118	0.29	5414015	35.060.0050.21	-	-	-	-
63	2	2.955	2.443	0.118	0.42	5414020	35.060.0063.21	-	-	-	-
75	2-1/2	1.891	1.261	0.142	0.31	5414025	35.060.0075.21	-	-	-	-
90	3	2.325	1.418	0.169	0.57	5416030	35.060.0090.21	0.110	0.88	5414030	35.060.0090.33
110	4	2.679	1.773	0.209	1.01	5416040	35.060.0110.21	0.134	1.57	5414040	35.060.0110.33
160	6	4.058	2.561	0.303	3.19	5416060	35.060.0160.21	0.193	2.18	5414060	35.060.0160.33



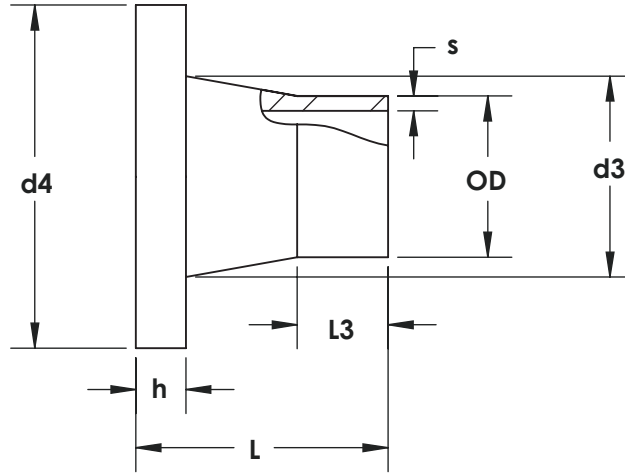
Tee

OD		Dimensions			SDR 21 / PN 16 / 230 PSI				SDR 33 / PN 10 / 150 PSI			
mm	inch	z	L	L3	s	Weight (lbs)	Asahi P/N	Agro Code	s	Weight (lbs)	Asahi P/N	Agro Code
20	1/2	1.378	2.756	0.591	0.075	0.07	5418005	35.006.0020.21	-	-	-	-
25	3/4	1.575	3.150	0.591	0.075	0.09	5418007	35.006.0025.21	-	-	-	-
32	1	1.772	3.504	0.669	0.094	0.15	5418010	35.006.0032.21	-	-	-	-
40	1-1/4	1.969	3.937	0.630	0.094	0.20	5418012	35.006.0040.21	-	-	-	-
50	1-1/2	2.362	4.724	0.906	0.118	0.37	5418015	35.006.0050.21	-	-	-	-
63	2	2.953	5.866	1.102	0.118	0.59	5418020	35.006.0063.21	-	-	-	-
75	2-1/2	3.425	6.850	1.102	0.142	0.90	5418025	35.006.0075.21	-	-	-	-
90	3	3.622	7.126	1.299	0.169	1.39	5421030	35.006.0090.21	0.110	1.08	5418030	35.006.0090.33
110	4	4.331	8.780	1.299	0.209	2.65	5421040	35.006.0110.21	0.134	2.07	5418040	35.006.0110.33
160	6	5.512	10.984	1.772	0.303	5.82	5421060	35.006.0160.21	0.193	4.43	5418060	35.006.0160.33
200	8	8.780	17.559	3.504	0.378	16.2	5421080	35.006.0200.21	0.244	12.3	5418080	35.006.0200.33
225	9	9.843	19.606	3.898	0.425	21.0	5421090	35.006.0225.21	0.272	15.4	5418090	35.006.0225.33
250	10	9.843	19.685	3.150	0.469	25.1	5421100	35.006.0250.21	0.303	24.2	5418100	35.006.0250.33
315	12	10.827	21.85	3.15	-	-	-	-	0.382	30.0	5418120	35.006.0315.33



Extended Leg Tee

OD		Dimensions			SDR 21 / PN 16 / 230 PSI			
mm	inch	z	L	L3	s	Weight (lbs)	Asahi P/N	Agro Code
20	1/2	2.165	4.291	1.417	0.075	0.11	5419005	35.066.0020.21
25	3/4	2.323	4.606	1.575	0.075	0.15	5419007	35.066.0025.21
32	1	2.835	5.630	1.772	0.094	0.24	5419010	35.066.0032.21

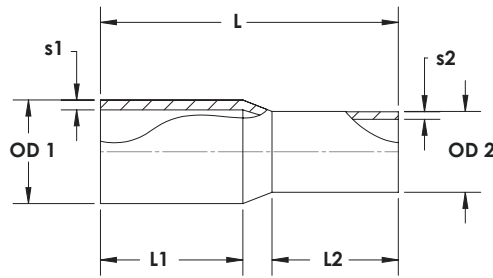


Stub End* (Flanged Adapter)

OD		Dimensions						SDR 21 / PN 16 / 230 PSI			SDR 33 / PN 10 / 150 PSI				
mm	inch	h	s	L	L3	d3	d4	Weight (lbs)	Asahi P/N	Agro Code	h	s	Weight (lbs)	Asahi P/N	Agro Code
20	1/2	0.236	0.075	1.970	1.221	1.064	1.773	0.07	5430005	35.012.1020.21	-	-	-	-	-
25	3/4	0.256	0.075	1.969	1.181	1.299	2.283	0.11	5430007	35.012.1025.21	-	-	-	-	-
32	1	0.276	0.094	1.969	1.024	1.575	2.677	0.15	5430010	35.012.1032.21	-	-	-	-	-
40	1-1/4	0.315	0.094	1.969	0.866	1.969	3.071	0.22	5430012	35.012.1040.21	-	-	-	-	-
50	1-1/2	0.354	0.118	1.969	0.866	2.402	3.307	0.29	5430015	35.012.1050.21	-	-	-	-	-
63	2	0.394	0.118	1.969	0.709	2.953	3.898	0.40	5430020	35.012.1063.21	-	-	-	-	-
75	2-1/2	0.433	0.142	1.969	0.709	3.504	4.685	0.55	5430025	35.012.1075.21	-	-	-	-	-
90	3	0.433	0.169	3.150	1.299	4.134	5.079	0.86	5470030	35.012.1090.21	0.433	0.110	0.84	5430030	35.012.1090.33
110	4	0.472	0.209	3.150	1.496	4.921	6.063	1.21	5470040	35.012.1110.21	0.472	0.134	1.26	5430040	35.012.1110.33
160	6	0.630	0.303	3.150	1.339	6.890	8.346	2.54	5470060	35.012.1160.21	0.630	0.193	2.07	5430060	35.012.1160.33
200	8	0.945	0.378	3.937	1.417	9.134	10.433	5.29	5470080	35.012.1200.21	0.709	0.244	4.28	5430080	35.012.1200.33
225	9	0.945	0.425	3.937	1.811	9.252	10.433	4.65	5470090	35.012.1225.21	0.709	0.272	5.91	5430090	35.012.0225.33
250	10	0.984	0.469	3.937	1.378	11.220	12.598	7.83	5470100	35.012.1250.21	0.787	0.303	6.83	5430100	35.012.1250.33
315	12	-	-	3.937	1.575	13.189	14.570	-	-	-	0.787	0.382	7.65	5430120	35.012.1315.33

*Requires backing ring.

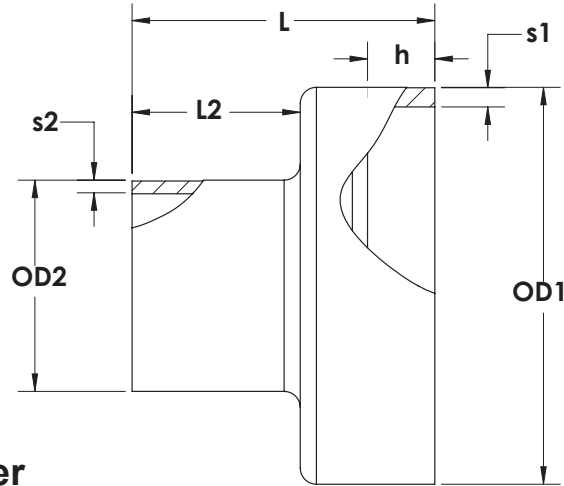
Extended Leg
Concentric Reducer



Purad®
UHP PVDF

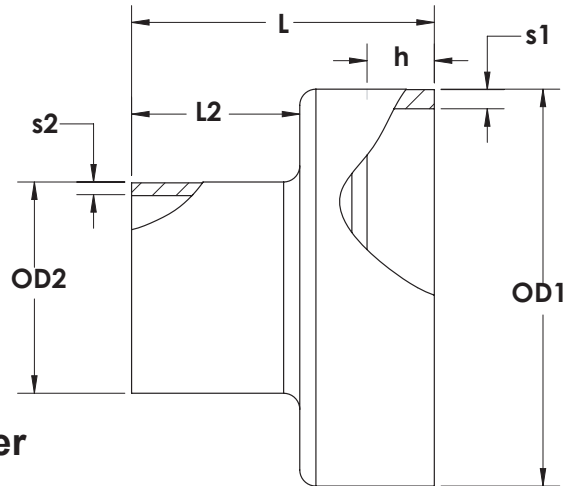
OD		Dimensions					SDR 21 / PN 16 / 230 PSI			
mm	inch	L	L1	L2	s1	s2	Weight (lbs)	Asahi P/N	Agro Code	
25/20	3/4 x 1/2	1.970	0.788	0.788	0.075	0.075	0.04	5424101	35.067.2520.21	
32/20	1 x 1/2	1.970	0.729	0.749	0.095	0.075	0.04	5424130	35.067.3220.21	
32/25	1 x 3/4	1.970	0.788	0.788	0.095	0.075	0.04	5424131	35.067.3225.21	
40/20	1-1/4 x 1/2	2.167	0.788	0.788	0.095	0.075	0.07	5424166	35.067.4020.21	
40/25	1-1/4 x 3/4	2.167	0.788	0.788	0.095	0.075	0.07	5424167	35.067.4025.21	
40/32	1-1/4 x 1	2.167	0.788	0.788	0.095	0.106	0.07	5424168	35.067.4032.21	
50/20	1-1/2 x 1/2	2.364	0.906	0.788	0.118	0.075	0.09	5424208	35.067.5020.21	
50/25	1-1/2 x 3/4	2.364	0.946	0.788	0.118	0.075	0.09	5424210	35.067.5025.21	
50/32	1 1/2 x 1	2.364	0.985	0.788	0.118	0.095	0.11	5424211	35.067.5032.21	
50/40	1 1/2 x 1-1/4	2.364	0.985	0.867	0.118	0.095	0.11	5424212	35.067.5040.21	
63/25	2 x 3/4	2.955	0.985	0.788	0.075	0.075	0.15	5424248	35.067.6325.21	
63/32	2 x 1	2.561	0.985	0.709	0.118	0.095	0.15	5424249	35.067.6332.21	
63/40	2 x 1-1/4	2.561	1.024	0.867	0.118	0.095	0.15	5424250	35.067.6340.21	
63/50	2 x 1-1/2	2.561	0.985	0.946	0.118	0.118	0.15	5424251	35.067.6350.21	
75/50	2-1/2 x 1-1/2	5.831	2.482	2.246	0.142	0.118	0.46	5424291	35.067.7550.21	
75/63	2-1/2 x 2	5.871	2.561	2.364	0.142	0.118	0.46	5424292	35.067.7563.21	
90/50	3 x 1-1/2	3.546	1.182	0.985	0.118	0.118	0.37	5424332	35.067.9050.21	
90/63	3 x 2	6.304	2.758	2.325	0.169	0.118	0.64	5424338	35.067.9063.21	
90/75	3 x 2-1/2	6.383	2.955	2.443	0.169	0.142	0.73	5424339	35.067.9075.21	
110/63	4 x 2	4.058	1.300	1.180	0.209	0.118	0.57	5424420	35.067.1163.21	
110/90	4 x 3	7.092	3.113	2.837	0.209	0.169	1.23	5424422	35.067.1190.21	
140/63	5 x 2	5.240	1.576	1.103	0.264	0.118	1.14	-	35.067.1463.21	
140/110	5 x 4	4.334	1.655	1.576	0.264	0.209	1.19	-	35.067.1411.21	
160/110	6 x 4	9.062	3.743	3.507	0.303	0.209	2.86	5424532	35.067.1611.21	
160/140	6 x 5	8.904	3.743	3.782	0.303	0.264	3.28	-	35.067.1614.21	
225/160	9 x 6	6.304	1.261	1.379	0.426	0.303	3.94	5424606	35.067.2216.21	
250/160	10 x 6	7.053	1.418	1.418	0.469	0.303	5.08	5424627	35.067.2516.21	
250/225	10 x 8	7.092	1.694	1.103	0.469	0.426	6.03	5424629	35.067.2522.21	
OD		Dimensions					SDR 33 x SDR 21 / PN 10 x 16 / 150 x 230 PSI			
mm	inch	L	L1	L2	s1	s2	Weight (lbs)	Asahi P/N	Agro Code	
90/63	3 x 2	6.304	2.758	2.325	0.110	0.118	0.51	5494338	35.067.9063.31	
110/63	4 x 2	4.058	1.300	1.180	0.134	0.118	0.44	5494420	35.067.1163.31	
160/110	6 x 4	9.062	3.743	3.507	0.193	0.209	2.42	5494532	35.067.1611.31	
OD		Dimensions					SDR 33 / PN 10 / 150 PSI			
mm	inch	L	L1	L2	s1	s2	Weight (lbs)	Asahi P/N	Agro Code	
110/90	4 x 3	7.092	3.113	2.953	0.134	0.106	1.01	5497422	35.067.1190.33	
140/110	5 x 4	4.334	1.655	1.576	0.169	0.138	0.90	-	35.067.1411.33	
160/110	6 x 4	9.062	3.743	3.507	0.193	0.134	1.98	5497532	35.067.1611.33	
160/140	6 x 5	8.904	3.743	3.782	0.193	0.169	2.24	-	35.067.1614.33	
225/160	9 x 6	6.304	1.261	1.379	0.272	0.193	2.66	5497606	35.067.2216.33	
250/160	10 x 6	7.053	1.418	1.418	0.303	0.193	3.78	5497627	35.067.2516.33	
250/225	10 x 8	7.092	1.694	1.103	0.303	0.272	4.07	5497629	35.067.2522.33	
315/160	12 x 6	7.092	1.655	1.458	0.382	0.193	9.90	5497659	35.067.3116.33	
315/250	12 x 10	7.092	1.655	1.458	0.382	0.303	11.0	5497630	35.067.3125.33	

Purad®
UHP PVDF



Machined Flush Reducer

OD		Dimensions			SDR 21 / PN 16 / 230 PSI		
mm	inch	L	L2	h	s1	s2	Asahi P/N
40/20	1-1/4 x 1/2	2.250	1.250	0.500	0.094	0.075	5448166
40/25	1-1/4 x 3/4	2.250	1.250	0.500	0.094	0.075	5448167
40/32	1-1/4 x 1	2.250	1.250	0.500	0.094	0.094	5448168
50/20	1-1/2 x 1/2	2.250	1.250	0.500	0.118	0.075	5448208
50/25	1-1/2 x 3/4	2.250	1.250	0.500	0.118	0.075	5448210
50/32	1-1/2 x 1	2.250	1.250	0.500	0.118	0.094	5448211
50/40	1-1/2 x 1-1/4	2.250	1.250	0.500	0.118	0.094	5448212
63/20	2 x 1/2	2.250	1.250	0.500	0.118	0.075	5448246
63/25	2 x 3/4	2.250	1.250	0.500	0.118	0.075	5448248
63/40	2 x 1-1/4	2.250	1.250	0.500	0.118	0.094	5448250
63/50	2 x 1-1/2	2.250	1.250	0.500	0.118	0.118	5448251
75/32	2-1/2 x 1	2.250	1.250	0.500	0.142	0.094	5448289
75/40	2-1/2 x 1-1/4	2.250	1.250	0.500	0.142	0.094	5448290
75/50	2-1/2 x 1-1/2	2.250	1.250	0.500	0.142	0.118	5448291
75/63	2-1/2 x 2	2.250	1.250	0.500	0.142	0.118	5448292
90/20	3 x 1/2	2.250	1.250	0.500	0.169	0.075	5448332
90/25	3 x 3/4	2.250	1.250	0.500	0.169	0.075	5448333
90/32	3 x 1	2.250	1.250	0.500	0.169	0.094	5448336
90/40	3 x 1-1/4	2.250	1.250	0.500	0.169	0.094	5448335
90/50	3 x 1-1/2	2.250	1.250	0.500	0.169	0.118	5448337
110/20	4 x 1/2	2.250	1.250	0.500	0.209	0.075	5488399
110/25	4 x 3/4	2.250	1.250	0.500	0.209	0.075	5448404
110/32	4 x 1	2.250	1.250	0.500	0.209	0.094	5448401
110/40	4 x 1-1/4	2.250	1.250	0.500	0.209	0.094	5448412
110/50	4 x 1-1/2	2.250	1.250	0.500	0.209	0.118	5448415

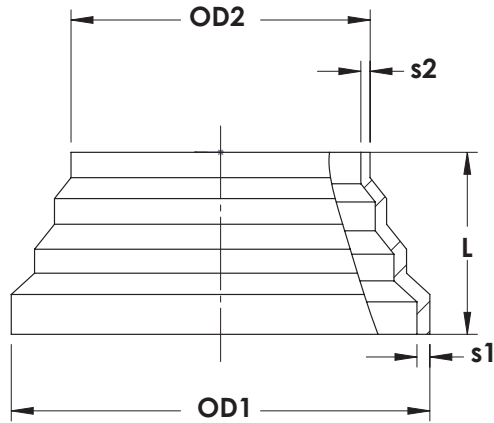


**Machined Flush Reducer
(Continued)**

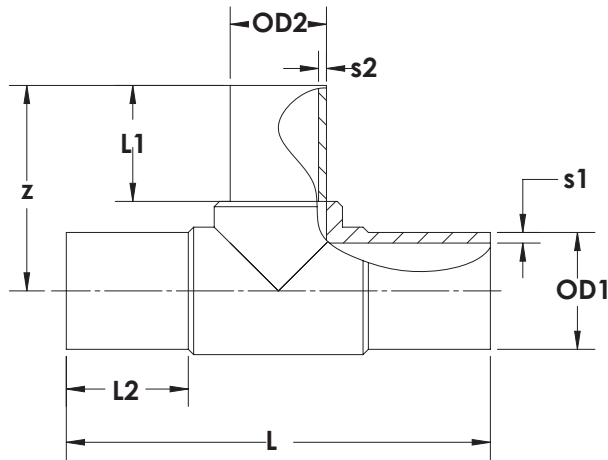
OD		Dimensions			SDR 33 x SDR 21 / PN 10 x 16 / 150 x 230 PSI		
mm	inch	L	L2	h	s1	s2	Asahi P/N
90/20	3 x 1/2	2.250	1.250	0.500	0.110	0.075	5436332
90/25	3 x 3/4	2.250	1.250	0.500	0.110	0.075	5436333
90/32	3 x 1	2.250	1.250	0.500	0.110	0.094	5436336
90/40	3 x 1 1/4	2.250	1.250	0.500	0.110	0.094	5436335
90/50	3 x 1 1/2	2.250	1.250	0.500	0.110	0.118	5436337
110/20	4 x 1/2	2.250	1.250	0.500	0.135	0.075	5436399
110/25	4 x 3/4	2.250	1.250	0.500	0.135	0.075	5436404
110/32	4 x 1	2.250	1.250	0.500	0.135	0.094	5436401
110/40	4 x 1 1/4	2.250	1.250	0.500	0.135	0.094	5436412
110/50	4 x 1 1/2	2.250	1.250	0.500	0.135	0.118	5436415
160/32	6 x 1	2.250	1.250	0.500	0.193	0.094	5436516
200/63	8 x 2	2.250	1.250	0.500	0.244	0.118	5436581
200/90	8 x 3	2.250	1.250	0.500	0.244	0.169	5436582
200/110	8 x 4	2.250	1.250	0.500	0.244	0.209	5436583
200/160	8 x 6	2.250	1.250	0.500	0.244	0.303	5436585
OD		Dimensions			SDR 33 / PN 10 / 150 PSI		
mm	inch	L	L2	h	s1	s2	Asahi P/N
200/90	8 x 3	2.250	1.250	0.500	0.244	0.110	5438582
200/110	8 x 4	2.250	1.250	0.500	0.244	0.135	5438583
200/160	8 x 6	2.250	1.250	0.500	0.244	0.193	5438585

Purad®
UHP PVDF

Stepped
Concentric Reducer

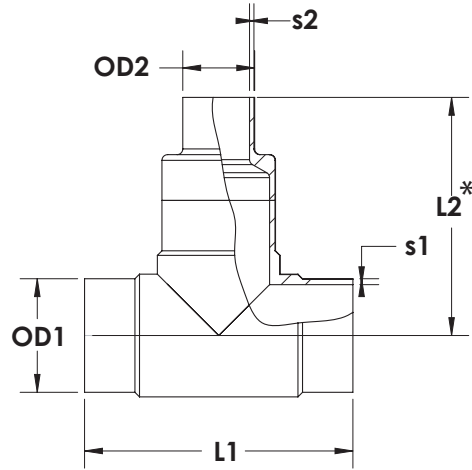


OD		Dimensions			SDR 21 / PN 16 / 230 PSI			SDR 33 / PN 10 / 150 PSI	
mm	inch	L	s1	s2	Weight (lbs)	Asahi P/N	Agru Code	Weight (lbs)	Asahi P/N
110/63	4 x 2	2.559	0.209	0.118	0.42	5437420	35.007.1163.21	-	-
160/110	6 x 4	3.346	0.193	0.134	-	-	-	0.38	5437532
225/160	9 x 6	3.819	0.272	0.193	-	-	-	0.78	5437585
315/225	12 x 9	5.394	0.382	0.272	-	-	-	1.97	5437670



Reducing Tee

OD		Dimensions						SDR 21 / PN 16 / 230 PSI		
mm	inch	z	L	L1	L2	s1	s2	Weight (lbs)	Asahi P/N	Agru Code
63/32	2 x 1	2.913	5.866	1.102	1.063	0.118	0.094	0.51	5422249	35.065.6332.21
90/63	3 x 2	5.079	10.354	2.953	2.559	0.169	0.118	1.81	5422338	35.065.9063.21
110/63	4 x 2	5.906	12.283	3.346	2.559	0.209	0.118	2.87	5422420	35.065.1163.21
110/90	4 x 3	5.906	12.323	3.425	2.953	0.209	0.169	3.22	5422422	35.065.1190.21
160/63	6 x 2	6.890	13.228	3.937	2.559	0.303	0.118	6.42	5422530	35.065.1663.21
160/90	6 x 3	7.205	13.701	3.819	2.756	0.303	0.169	7.41	5422531	35.065.1690.21
160/110	6 x 4	7.283	13.583	3.780	3.189	0.303	0.209	7.98	5422532	35.065.1611.21
OD		Dimensions						SDR 33 X SDR 21 / PN 10 X 16 / 150 X 230 PSI		
mm	inch	z	L	L1	L2	s1	s2	Weight (lbs)	Asahi P/N	Agru Code
90/63	3 x 2	5.079	10.354	2.953	2.559	0.110	0.118	1.39	5420338	35.065.9063.31
110/63	4 x 2	5.906	12.402	3.346	2.559	0.134	0.118	2.03	5420420	35.065.1163.31
160/63	6 x 2	6.890	13.583	3.937	2.559	0.193	0.118	4.70	5420530	35.065.1663.31
160/90	6 x 3	7.205	13.701	3.819	2.756	0.193	0.169	5.67	5420531	35.065.1690.31
160/110	6 x 4	7.283	13.661	3.780	3.189	0.193	0.209	6.50	5420532	35.065.1611.31
OD		Dimensions						SDR 33 / PN 10 / 150 PSI		
mm	inch	z	L	L1	L2	s1	s2	Weight (lbs)	Asahi P/N	Agru Code
110/90	4 x 3	5.906	12.323	3.425	2.953	0.134	0.110	2.36	5431422	35.065.1190.33
160/90	6 x 3	7.205	13.701	3.780	2.756	0.193	0.110	4.37	5431531	35.065.1690.33
160/110	6 x 4	7.283	13.740	3.819	3.150	0.193	0.134	6.22	5431532	35.065.1611.33

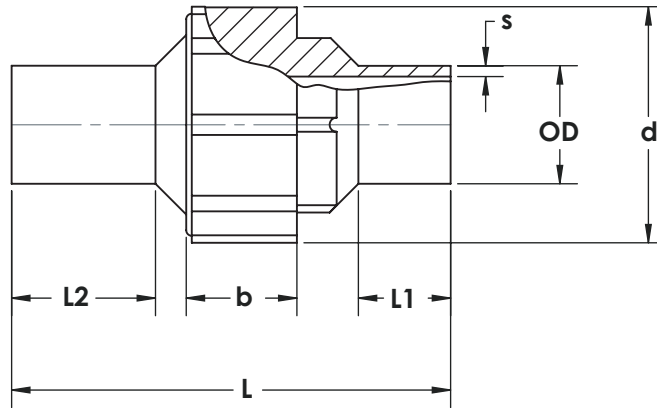


Fabricated Flush Reducing Tee



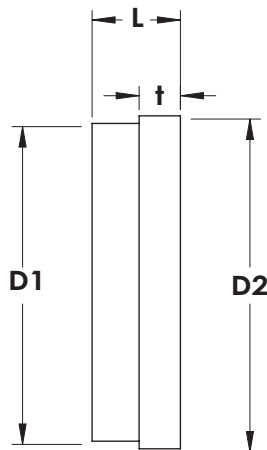
OD		Dimensions		SDR 21 / PN 16 / 230 PSI			SDR 33 / PN 10 / 150 PSI			SDR 33 / PN 10 / 150 PSI		
mm	inch	L1	L2*	s1	s2	Asahi P/N	s1	s2	Asahi P/N	s1	s2	Asahi P/N
40/20	1-1/4 x 1/2	3.937	3.339	0.094	0.075	5435166	-	-	-	-	-	-
40/25	1-1/4 x 3/4	3.937	3.339	0.094	0.075	5435167	-	-	-	-	-	-
40/32	1-1/4 x 1	3.937	3.339	0.094	0.094	5435168	-	-	-	-	-	-
50/20	1-1/2 x 1/2	4.724	3.456	0.118	0.075	5435208	-	-	-	-	-	-
50/25	1-1/2 x 3/4	4.724	3.456	0.118	0.075	5435210	-	-	-	-	-	-
50/32	1-1/2 x 1	4.724	3.456	0.118	0.094	5435211	-	-	-	-	-	-
50/40	1-1/2 x 1-1/4	4.724	3.456	0.118	0.094	5435212	-	-	-	-	-	-
63/20	2 x 1/2	5.866	3.851	0.118	0.075	5435246	-	-	-	-	-	-
63/25	2 x 3/4	5.866	3.851	0.118	0.075	5435248	-	-	-	-	-	-
63/40	2 x 1-1/4	5.866	3.851	0.118	0.094	5435250	-	-	-	-	-	-
63/50	2 x 1-1/2	5.866	3.851	0.118	0.118	5435251	-	-	-	-	-	-
75/32	2-1/2 x 1	6.850	4.323	0.142	0.094	5435289	-	-	-	-	-	-
75/40	2-1/2 x 1-1/4	6.850	4.323	0.142	0.094	5435290	-	-	-	-	-	-
75/50	2-1/2 x 1-1/2	6.850	4.323	0.142	0.118	5435291	-	-	-	-	-	-
75/63	2-1/2 x 2	6.850	4.323	0.142	0.118	5435292	-	-	-	-	-	-
90/20	3 x 1/2	7.126	4.323	0.169	0.075	5435332	0.110	0.075	5425332	-	-	-
90/25	3 x 3/4	7.126	4.323	0.169	0.075	5435333	0.110	0.075	5425333	-	-	-
90/32	3 x 1	7.126	4.323	0.169	0.094	5435336	0.110	0.094	5425336	-	-	-
90/40	3 x 1-1/4	7.126	4.323	0.169	0.094	5435335	0.110	0.094	5425335	-	-	-
90/50	3 x 1-1/2	7.126	4.323	0.169	0.118	5435337	0.110	0.118	5425337	-	-	-
110/20	4 x 1/2	8.780	5.032	0.134	0.075	5435399	0.135	0.075	5425399	-	-	-
110/25	4 x 3/4	8.780	5.032	0.264	0.075	5435404	0.135	0.075	5425404	-	-	-
110/32	4 x 1	8.780	5.032	0.264	0.094	5435401	0.135	0.094	5425401	-	-	-
110/40	4 x 1-1/4	8.780	5.032	0.264	0.094	5435412	0.135	0.094	5425412	-	-	-
110/50	4 x 1-1/2	8.780	5.032	0.134	0.118	5435415	0.135	0.118	5425415	-	-	-
160/32	6 x 1	10.984	5.740	-	-	-	0.195	0.094	5425516	-	-	-
200/63	8 x 2	17.559	7.276	-	-	-	0.244	0.118	5425581	-	-	-
200/90	8 x 3	17.559	7.276	-	-	-	0.244	0.169	5425582	0.244	0.110	5432582
200/110	8 x 4	17.559	7.276	-	-	-	0.244	0.264	5425583	0.244	0.135	5432583
200/160	8 x 6	17.559	7.276	-	-	-	0.244	0.303	5425585	0.244	0.195	5432585

* Fabricated dimension tolerance +/- 1/4"



Union - FKM

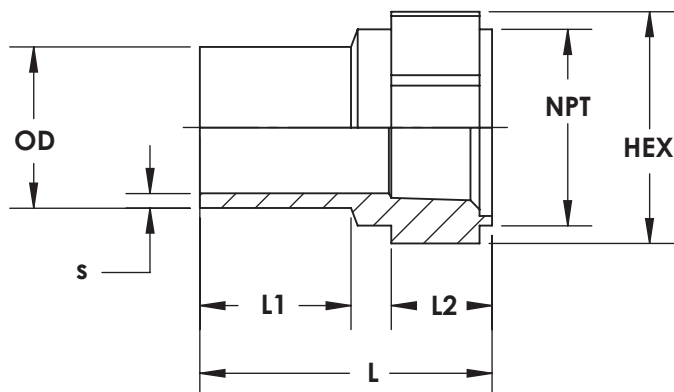
OD		Dimensions						SDR 21 / PN 16 / 230 PSI		
mm	inch	s	L	L1	L2	d	b	Weight (lbs)	Asahi P/N	Agro Code
20	1/2	0.075	4.213	0.945	1.398	1.850	0.945	0.20	5434005	35.024.0020.21
25	3/4	0.075	4.409	0.945	1.437	2.244	1.024	0.29	5434007	35.024.0025.21
32	1	0.094	4.685	0.984	1.547	2.520	1.181	0.40	5434010	35.024.0032.21
40	1-1/4	0.094	4.921	0.984	1.476	3.012	1.220	0.62	5434012	35.024.0040.21
50	1-1/2	0.118	5.118	0.984	1.575	3.504	1.378	0.82	5434015	35.024.0050.21
63	2	0.118	5.354	0.984	1.594	4.291	1.535	1.26	5434020	35.024.0063.21
75	2-1/2	0.142	5.197	1.102	1.457	5.118	1.575	1.85	5434025	35.024.0075.21
90	3	0.169	5.118	1.339	2.165	5.118	1.575	1.68	5434030	35.024.0090.21



Union Blank*

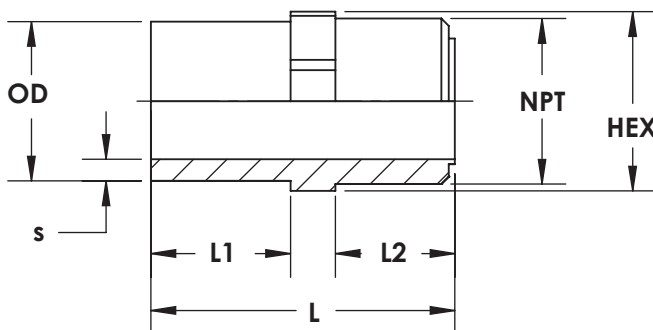
OD		Dimensions				Type 24 Blank
mm	inch	D1	D2	L	t	Asahi P/N
20	1/2	0.720	1.060	0.440	0.180	5474005
25	3/4	1.500	1.420	0.430	0.180	5474007
32	1	1.770	1.630	0.580	0.180	5474010
40	1-1/4	1.770	1.630	0.580	0.180	5474012
50	1-1/2	2.450	2.300	0.650	0.280	5474015
63	2	3.090	2.910	0.885	0.330	5474020

*Replaces L2 on unions.
Solid PVDF



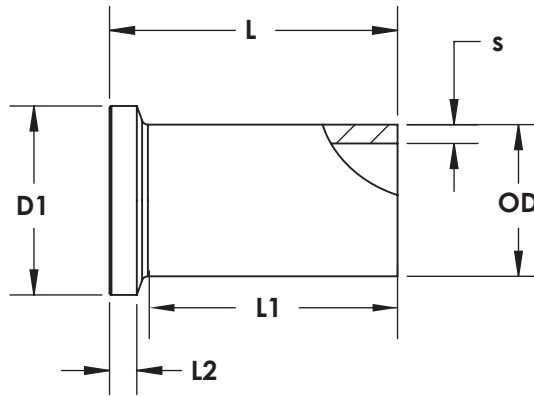
Female Adapter

OD		Dimensions						SDR 21 / PN 16 / 230 PSI		
mm	inch	s	L	L1	L2	HEX	NPT	Weight (lbs)	Asahi P/N	Agru Code
20	1/2	0.075	1.811	0.787	0.630	1.260	1/2	0.07	5449005	35.032.2020.21
25	3/4	0.075	2.008	0.906	0.709	1.614	3/4	0.12	5449007	35.032.2525.21
32	1	0.094	2.283	1.142	0.787	1.811	1	0.16	5449010	35.032.3232.21
40	1-1/4	0.094	2.441	1.181	0.945	2.165	1-1/4	0.20	5449012	35.032.4040.21
50	1-1/2	0.118	2.677	1.339	0.945	2.756	1-1/2	0.37	5449015	35.032.5050.21
63	2	0.118	2.953	1.378	1.102	3.346	2	0.59	5449020	35.032.6363.21



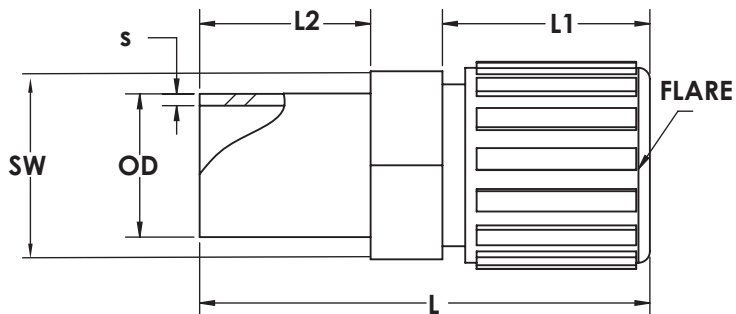
Male Adapter

OD		Dimensions						SDR 21 / PN 16 / 230 PSI		
mm	inch	s	L	L1	L2	HEX	NPT	Weight (lbs)	Asahi P/N	Agru Code
20	1/2	0.075	1.811	0.787	0.709	0.866	1/2	0.04	5447005	35.033.2021.21
25	3/4	0.075	2.008	0.906	0.787	1.063	3/4	0.04	5447007	35.033.2526.21
32	1	0.094	2.402	1.142	0.906	1.417	1	0.09	5447010	35.033.3233.21
40	1-1/4	0.094	2.598	1.142	1.063	1.811	1-1/4	0.15	5447012	35.033.4041.21
50	1-1/2	0.118	2.913	1.299	1.142	2.165	1-1/2	0.22	5447015	35.033.5051.21
63	2	0.118	3.150	1.378	1.220	2.559	2	0.33	5447020	35.033.6364.21



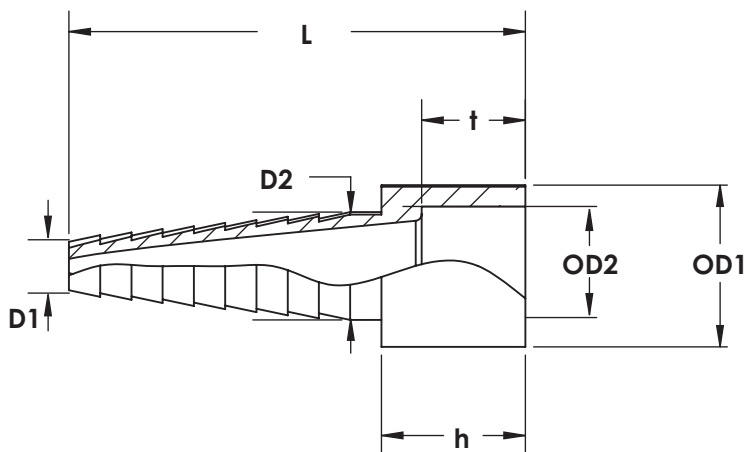
Sanitary Adapter

OD				Dimensions					SDR 11 / PN 10 / 230 PSI	
mm	inch	Gasket	Clamp	s	L	L1	L2	D1	Asahi P/N	
20	1/2	3/4	1	0.098	1.500	1.30	0.142	0.984	5445101	
25	3/4	1	1	0.106	1.500	1.16	0.110	1.984	5445131	
32	1	1-1/4	1-1/2	0.114	1.500	0.75	0.110	1.984	5445168	
40	1-1/4	1-1/2	1-1/2	0.146	1.500	1.25	0.110	1.984	5445212	
50	1-1/2	2	2	0.181	1.500	1.25	0.110	2.490	5445251	
63	2	2-1/2	2-1/2	0.228	1.500	1.25	0.110	2.490	5445292	



Flare Adapter

OD		Dimensions						SDR 21 / PN 16 / 230 PSI	
mm	inch	Flare	s	L ±	L1 ±	L2	SW	Asahi P/N	
20	1/2	1/4	0.075	3.190	1.142	1.500	0.945	5406096	
20	1/2	3/8	0.075	3.310	1.260	1.500	0.945	5406098	
20	1/2	1/2	0.075	3.400	1.260	1.500	1.063	5406005	
25	3/4	3/8	0.075	3.360	1.260	1.500	1.181	5406106	
25	3/4	1/2	0.075	3.400	1.300	1.500	1.181	5406101	
25	3/4	3/4	0.075	3.560	1.456	1.500	1.181	5406007	
32	1	3/8	0.094	3.390	1.260	1.500	1.614	5406105	
32	1	1/2	0.094	3.430	1.260	1.500	1.614	5406130	
32	1	3/4	0.094	3.590	1.456	1.500	1.614	5406131	
32	1	1	0.094	3.860	1.732	1.500	1.614	5406010	
40	1-1/4	1/2	0.094	3.428	2.050	1.500	1.614	5406166	

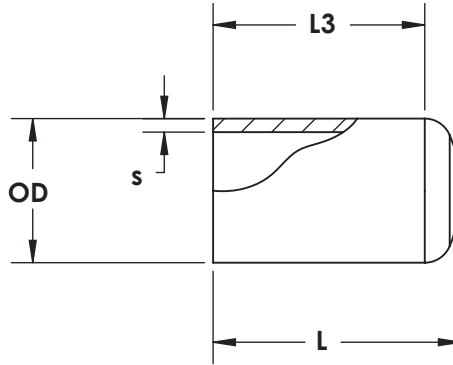


Hose Barb*

Size		Dimensions						SDR 21 / PN 16 / 230 PSI	
Outlet	OD1	OD2	L	h	t	D1	D2	Asahi P/N	
1/4"	25 mm	20 mm	2.778	0.875	0.656	1/4	1/2	840704010	

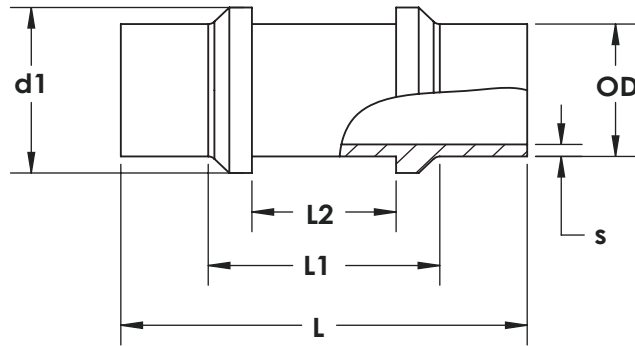
*Hose barb can be IR fused to 25 mm or socket fused with 20 mm pipe fitting.

Purad®
UHP PVDF



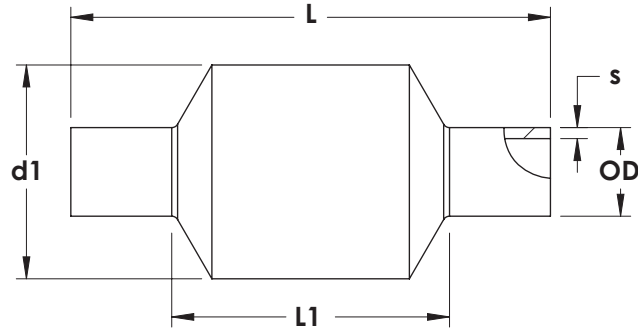
End Cap

OD		Dimensions			SDR 21 / PN 16 / 230 PSI				SDR 33 / PN 10 / 150 PSI			
mm	inch	L	L3	s	Weight (lbs)	Asahi P/N	Agru Code	s	Weight (lbs)	Asahi P/N	Agru Code	
20	1/2	1.773	1.615	0.075	0.022	5443005	35.064.0020.21	-	-	-	-	
25	3/4	1.931	1.615	0.075	0.044	5443007	35.064.0025.21	-	-	-	-	
32	1	2.206	1.773	0.094	0.066	5443010	35.064.0032.21	-	-	-	-	
40	1-1/4	2.522	1.970	0.094	0.088	5443012	35.064.0040.21	-	-	-	-	
50	1-1/2	2.876	2.364	0.118	0.176	5443015	35.064.0050.21	-	-	-	-	
63	2	3.388	2.679	0.118	0.264	5443020	35.064.0063.21	-	-	-	-	
75	2-1/2	3.664	2.955	0.142	0.396	5443025	35.064.0075.21	-	-	-	-	
90	3	4.334	3.310	0.169	0.660	5444030	35.064.0090.21	0.110	0.46	5443030	35.064.0090.33	
110	4	4.925	3.901	0.209	1.056	5444040	35.064.0110.21	0.134	0.64	5443040	35.064.0110.33	



Restraint Fitting

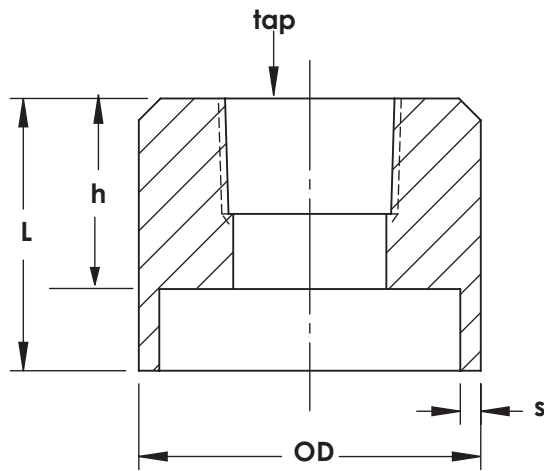
OD		Dimensions				SDR 21 / PN 16 / 230 PSI				SDR 33 / PN 10 / 150 PSI			
mm	inch	L	L1	L2	d1	s	Weight (lbs)	Asahi P/N	Agru Code	s	Weight (lbs)	Asahi P/N	Agru Code
20	1/2	3.700	2.090	1.280	1.100	0.075	0.684	5461005	-	-	-	-	-
25	3/4	3.700	2.090	1.280	1.300	0.075	0.573	5461007	-	-	-	-	-
32	1	4.724	2.088	1.280	2.126	0.094	0.132	5461010	35.028.0032.21	-	-	-	-
40	1-1/4	3.700	2.090	1.280	1.890	0.094	0.882	5461012	-	-	-	-	-
50	1-1/2	4.500	2.090	1.280	2.280	0.118	0.904	5461015	-	-	-	-	-
63	2	4.724	1.970	1.280	3.307	0.118	0.440	5461020	35.028.0063.21	-	-	-	-
75	2-1/2	5.110	2.760	1.575	3.430	0.142	1.433	5461025	-	-	-	-	-
90	3	5.866	2.758	1.575	4.134	0.169	0.968	5461030	35.028.0090.21	0.110	0.75	5471030	35.028.0090.33
110	4	5.906	2.758	1.575	5.000	0.209	1.452	5461040	35.028.0110.21	0.134	1.14	5471040	35.028.0110.33
160	6	6.220	3.940	2.362	7.008	0.303	3.102	5461060	35.028.0160.21	0.193	2.29	5471060	35.028.0160.33



Instrumentation Fitting*

OD		Dimensions			SDR 21 / PN 16 / 230 PSI				SDR 33 / PN 10 / 150 PSI			
mm	inch	L	L1	d1	s	Weight (lbs)	Asahi P/N	Agru Code	s	Weight (lbs)	Asahi P/N	Agru Code
20	1/2	4.724	1.969	1.969	0.075	0.684	5499005	35.303.1020.21	-	-	-	-
25	3/4	4.724	1.969	2.165	0.075	0.573	5499007	35.303.1025.21	-	-	-	-
32	1	4.724	1.969	2.362	0.094	0.595	5499010	35.303.1032.21	-	-	-	-
40	1-1/4	4.724	1.969	2.953	0.094	0.882	5499012	35.303.1040.21	-	-	-	-
50	1-1/2	4.724	1.969	3.150	0.118	0.904	5499015	35.303.1050.21	-	-	-	-
63	2	4.724	2.047	3.307	0.118	0.860	5499020	35.030.1063.21	-	-	-	-
75	2-1/2	4.724	1.969	4.134	0.142	1.433	5499025	35.303.1075.21	-	-	-	-
90	3	5.866	2.362	4.134	0.169	1.367	5492030	35.030.1090.21	0.110	1.21	5499030	35.030.1090.33
110	4	5.906	2.362	4.882	0.209	1.830	5492040	35.030.1110.21	0.134	1.52	5499040	35.030.1110.33
160	6	6.220	3.071	7.008	0.303	4.013	5492060	35.030.1160.21	0.193	3.33	5499060	35.030.1160.33

Available as solid or tapped



Purad®
UHP PVDF

Probe Adapter*

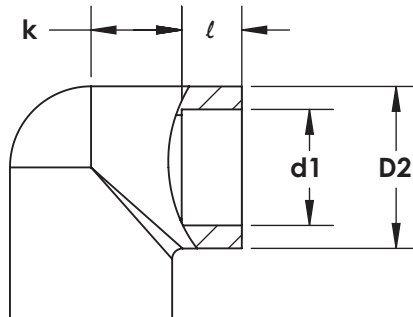
OD		Dimensions		SDR 21 / PN 16 / 230 PSI		SDR 33 / PN 10 / 150 PSI	
mm	inch	h	L	s	Asahi P/N	s	Asahi P/N
20	1/2	1.000	1.500	0.075	5466005	-	-
25	3/4	1.000	1.500	0.075	5466007	-	-
32	1	1.000	1.500	0.094	5466010	-	-
40	1-1/4	1.000	1.500	0.094	5466012	-	-
50	1-1/2	1.000	1.500	0.114	5466015	-	-
63	2	1.000	1.500	0.118	5466020	-	-
75	2-1/2	1.000	1.500	0.141	5466025	-	-
90	3	1.000	1.500	0.169	5469030	0.110	5466030
110	4	1.000	1.500	0.209	5469040	0.134	5466040

Available as solid tap

Socket Fittings

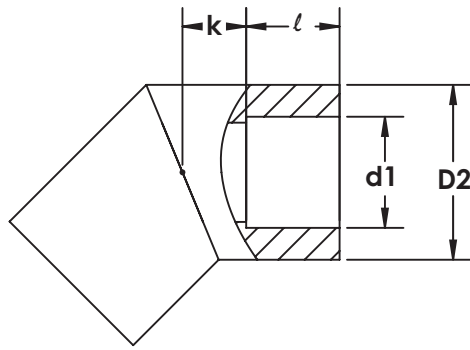
Socket fittings are traditionally used in non-high purity applications. Only use socket fittings with SDR 21 pipe.

OD		Dimensions	
mm	inch	ℓ	k
Spigot diameter		Socket depth	Spigot ID depth of fitting



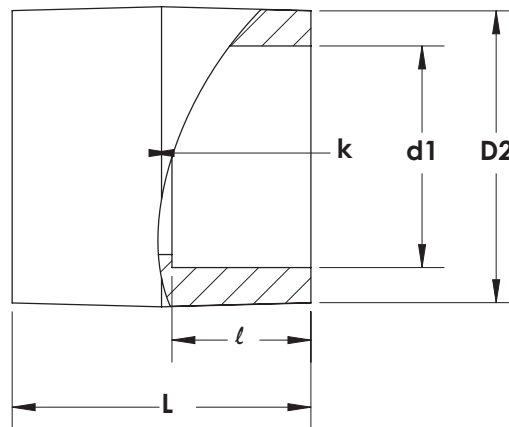
90° Elbow

OD		Dimensions				SDR 21 / PN 16 / 230 PSI		
mm	inch	d1	D2	ℓ	k	Weight (lbs)	Asahi P/N	Agro Code
20	1/2	0.787	1.141	0.629	0.590	0.09	5991005	30.051.0020.07
25	3/4	0.984	1.377	0.708	0.590	0.13	5991007	30.051.0025.07
32	1	1.260	1.692	0.767	0.826	0.22	5991010	30.051.0032.07
40	1-1/4	1.575	2.047	0.846	0.984	0.35	5991012	30.051.0040.07
50	1-1/2	1.969	2.519	0.964	1.181	0.60	5991015	30.051.0050.07
63	2	2.480	3.188	1.102	1.377	1.06	5991020	30.051.0063.07
75	2-1/2	2.953	3.622	1.279	1.535	1.30	5991025	30.051.0075.07
90	3	3.543	4.448	1.397	1.732	2.36	5991030	30.051.0090.07
110	4	4.331	5.236	1.633	2.086	3.42	5991040	30.051.0110.07



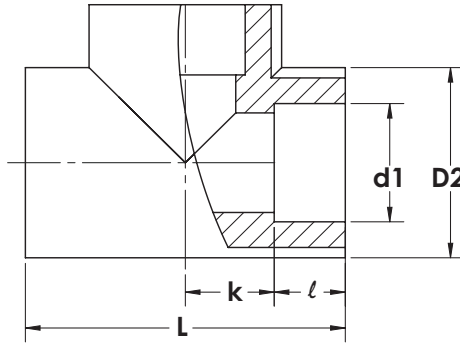
45° Elbow

OD		Dimensions				SDR 21 / PN 16 / 230 PSI		
mm	inch	d1	D2	ℓ	k	Weight (lbs)	Asahi P/N	Agro Code
20	1/2	0.787	1.181	0.630	0.197	0.09	5988005	30.050.0020.07
25	3/4	0.984	1.378	0.709	0.236	0.11	5988007	30.050.0025.07
32	1	1.260	1.693	0.748	0.276	0.18	5988010	30.050.0032.07
40	1-1/4	1.575	2.047	0.846	0.354	0.29	5988012	30.050.0040.07
50	1-1/2	1.969	2.520	0.945	0.433	0.46	5988015	30.050.0050.07
63	2	2.480	3.189	1.142	0.630	0.79	5988020	30.050.0063.07
75	2-1/2	2.953	3.622	1.260	0.630	0.93	5988025	30.050.0075.07
90	3	3.543	4.449	1.437	0.748	1.81	5988030	30.050.0090.07
110	4	4.331	5.236	1.634	1.063	2.82	5988040	30.050.0110.07



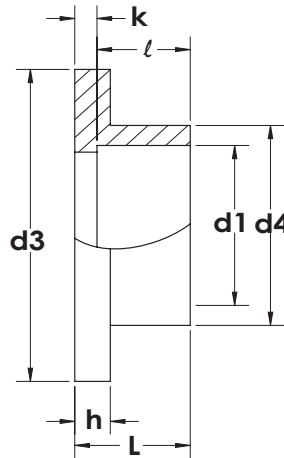
Coupling

OD		Dimensions					SDR 21 / PN 16 / 230 PSI		
mm	inch	d1	L	D2	ℓ	k	Weight (lbs)	Asahi P/N	Agro Code
20	1/2	0.787	1.378	1.142	0.610	0.157	0.07	5986005	30.053.0020.07
25	3/4	0.984	1.535	1.378	0.689	0.157	0.07	5986007	30.053.0025.07
32	1	1.260	1.693	1.693	0.768	0.157	0.11	5986010	30.053.0032.07
40	1-1/4	1.575	1.850	2.047	0.827	0.197	0.15	5986012	30.053.0040.07
50	1-1/2	1.969	2.047	2.520	0.925	0.236	0.29	5986015	30.053.0050.07
63	2	2.480	2.362	3.189	1.102	0.157	0.51	5986020	30.053.0063.07
75	2-1/2	2.953	2.756	3.622	1.280	0.197	0.64	5986025	30.053.0075.07
90	3	3.543	3.071	4.449	1.437	0.197	1.28	5986030	30.053.0090.07
110	4	4.331	3.543	5.236	1.673	0.197	1.68	5986040	30.053.0110.07



Tee

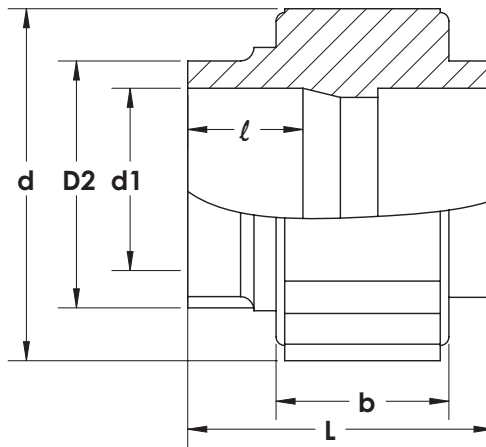
OD		Dimensions					SDR 21 / PN 16 / 230 PSI			
mm	inch	d1	L	D2	ℓ	k	Weight (lbs)	Asahi P/N	Agro Code	
20	1/2	0.787	2.362	1.142	0.630	0.571	0.13	5985005	30.056.0020.07	
25	3/4	0.984	2.677	1.378	0.689	0.650	0.15	5985007	30.056.0025.07	
32	1	1.260	3.150	1.693	0.768	0.807	0.29	5985010	30.056.0032.07	
40	1-1/4	1.575	3.701	2.047	0.846	1.004	0.44	5985012	30.056.0040.07	
50	1-1/2	1.969	4.252	2.520	0.925	1.181	0.73	5985015	30.056.0050.07	
63	2	2.480	4.921	3.189	1.142	1.398	1.30	5985020	30.056.0063.07	
75	2-1/2	2.953	6.024	3.622	1.358	1.654	1.65	5985025	30.056.0075.07	
90	3	3.543	7.205	4.449	1.496	2.106	3.29	5985030	30.056.0090.07	
110	4	4.331	8.189	5.236	1.673	2.421	4.37	5985040	30.056.0110.07	



Stub End* (Flanged Adapter)

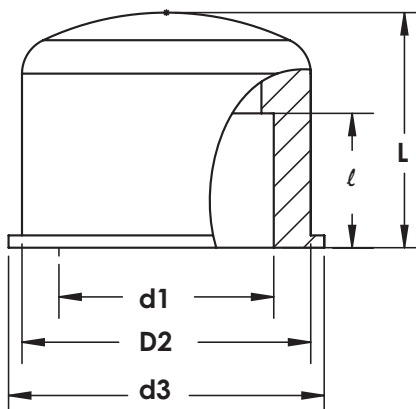
OD		Dimensions							SDR 21 / PN 16 / 230 PSI		
mm	inch	d1	L	d4	d3	h	ℓ	k	Weight (lbs)	Asahi P/N	Agro Code
20	1/2	0.787	0.827	1.064	1.773	0.236	0.630	0.197	0.04	5990005	30.052.0020.07
25	3/4	0.984	0.867	1.300	2.285	0.276	0.670	0.197	0.09	5990007	30.052.0025.07
32	1	1.260	0.985	1.615	2.679	0.276	0.788	0.197	0.11	5990010	30.052.0032.07
40	1-1/4	1.575	1.024	1.970	3.073	0.315	0.827	0.197	0.18	5990012	30.052.0040.07
50	1-1/2	1.969	1.182	2.403	3.467	0.315	0.985	0.197	0.22	5990015	30.052.0050.07
63	2	2.480	1.300	2.994	4.019	0.355	1.103	0.197	0.33	5990020	30.052.0063.07
75	2-1/2	2.953	1.458	3.546	4.807	0.394	1.261	0.197	0.51	5990025	30.052.0075.07
90	3	3.543	1.615	4.295	4.925	0.433	1.418	0.197	0.68	5990030	30.052.0090.07
110	4	4.331	1.891	5.161	5.910	0.473	1.694	0.197	1.01	5990040	30.052.0110.07

*Requires backing ring.



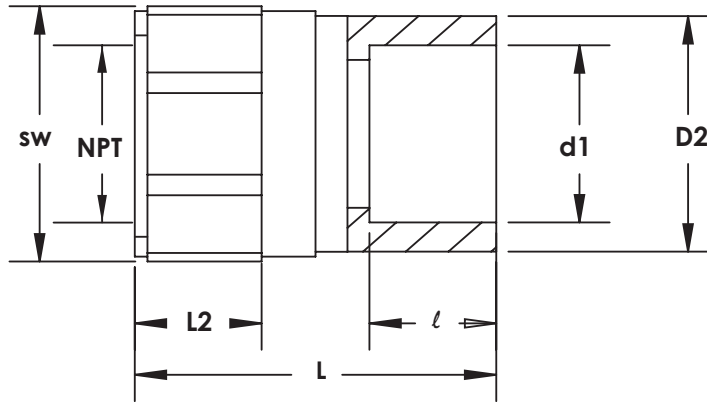
Union-FKM

OD		Dimensions						SDR 21 / PN 16 / 230 PSI		
mm	inch	d1	L	d	b	D2	ℓ	Weight (lbs)	Asahi P/N	Agru Code
20	1/2	0.787	1.772	1.850	0.945	1.08	0.630	0.13	5993005	30.024.1120.07
25	3/4	0.984	1.929	2.244	1.024	1.41	0.709	0.22	5993007	30.024.1125.07
32	1	1.260	2.087	2.520	1.181	1.63	0.787	0.31	5993010	30.024.1132.07
40	1-1/4	1.575	2.323	3.071	1.220	2.08	0.866	0.49	5993012	30.024.1140.07
50	1-1/2	1.969	2.638	3.504	1.378	2.31	0.965	0.62	5993015	30.024.1150.07
63	2	2.480	3.110	4.291	1.535	2.90	1.142	1.10	5993020	30.024.1163.07



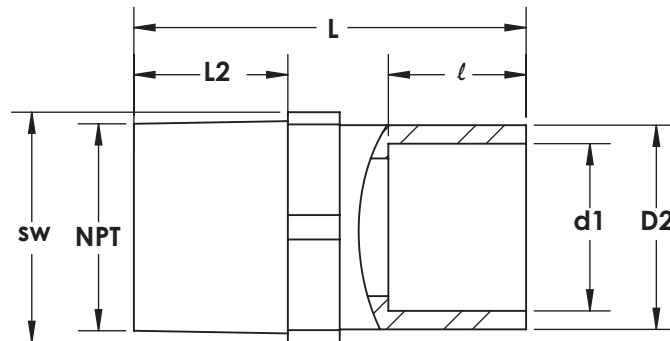
End Cap

OD		Dimensions					SDR 21 / PN 16 / 230 PSI			
mm	inch	d1	L	d3	D2	ℓ	Weight (lbs)	Asahi P/N	Agru Code	
20	1/2	0.787	1.063	1.260	1.142	0.610	0.04	5981005	30.054.0020.07	
25	3/4	0.984	1.181	1.457	1.378	0.689	0.07	5981007	30.054.0025.07	
32	1	1.260	1.378	1.811	1.693	0.768	0.09	5981010	30.054.0032.07	
40	1-1/4	1.575	1.535	2.244	2.047	0.886	0.15	5981012	30.054.0040.07	
50	1-1/2	1.969	1.929	2.717	2.520	0.945	0.29	5981015	30.054.0050.07	
63	2	2.480	2.323	3.386	3.189	1.102	0.44	5981020	30.054.0063.07	
75	2-1/2	2.953	2.598	3.819	3.622	1.319	0.66	5981025	30.054.0075.07	
90	3	3.543	3.031	4.685	4.449	1.437	1.17	5981030	30.054.0090.07	
110	4	4.331	3.622	5.472	5.236	1.673	1.79	5981040	30.054.0110.07	



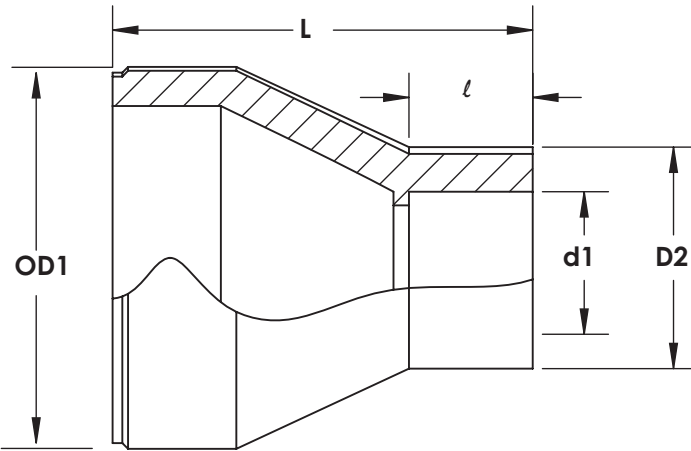
Female Adapter

OD		Dimensions							SDR 21 / PN 16 / 230 PSI		
mm	inch	d1	L	L2	sw	NPT	D2	ℓ	Weight (lbs)	Asahi P/N	Agro Code
20	1/2	0.787	1.772	0.630	1.260	1/2	1.161	0.571	0.09	5983005	30.034.2021.07
25	3/4	0.984	1.988	0.709	1.614	3/4	1.378	0.630	0.13	5983007	30.034.2526.07
32	1	1.260	2.244	0.787	1.811	1	1.673	0.713	0.20	5983010	30.034.3233.07
40	1-1/4	1.575	2.461	0.945	2.165	1-1/4	2.047	0.807	0.33	5983012	30.034.4041.07
50	1-1/2	1.969	2.677	1.024	2.756	1-1/2	2.520	0.925	0.53	5983015	30.034.5051.07
63	2	2.480	2.913	1.181	3.346	2	3.150	1.079	0.88	5983020	30.034.6364.07



Male Adapter

OD		Dimensions							SDR 21 / PN 16 / 230 PSI		
mm	inch	d1	L	L2	sw	NPT	D2	ℓ	Weight (lbs)	Asahi P/N	Agro Code
20	1/2	0.787	2.008	0.787	1.084	3/4	0.984	0.677	0.04	5984005	30.035.2026.07
25	3/4	0.984	2.402	0.945	1.556	1	1.260	0.768	0.11	5984007	30.035.2533.07
32	1	1.260	2.598	1.063	1.793	1-1/4	1.575	0.846	0.15	5984010	30.035.3241.07
40	1-1/4	1.575	2.913	1.142	2.364	1-1/2	1.969	0.945	0.27	5984012	30.035.4051.07
50	1-1/2	1.969	3.071	1.220	2.797	2	2.480	1.142	0.40	5984015	30.035.6364.07

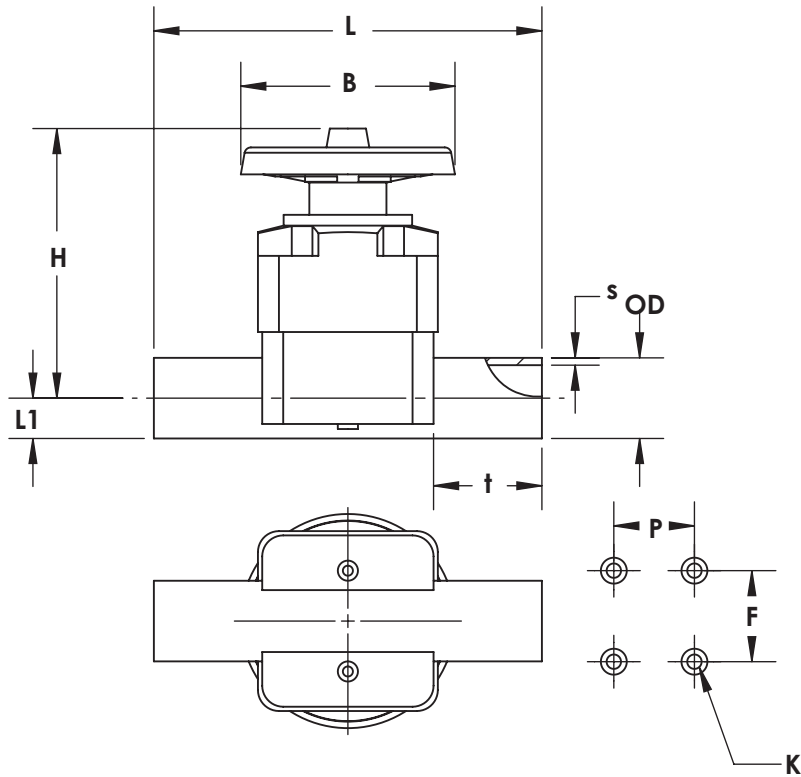


Concentric Reducer

OD		Dimensions				SDR 21 / PN 16 / 230 PSI		
mm	inch	OD1 x d1	L	D2	ℓ	Weight (lbs)	Asahi P/N	Agro Code
25/20	3/4 x 1/2	0.984 x 0.787	1.575	1.142	0.618	0.04	5995101	30.057.2520.07
32/20	1 x 1/2	1.260 x 0.787	1.732	1.142	0.610	0.07	5995130	30.057.3220.07
32/25	1 x 3/4	1.260 x 0.984	1.732	1.378	0.693	0.09	5995131	30.057.3225.07
40/20	1-1/4 x 1/2	1.575 x 0.787	1.929	1.142	0.642	0.09	5995166	30.057.4020.07
40/25	1-1/4 x 3/4	1.575 x 0.984	1.929	1.378	0.693	0.11	5995167	30.057.4025.07
40/32	1-1/4 x 1	1.575 x 1.260	1.929	1.693	0.795	0.09	5995168	30.057.4032.07
50/20	1-1/2 x 1/2	1.969 x 0.787	2.165	1.142	0.638	0.13	5995208	30.057.5020.07
50/25	1-1/2 x 3/4	1.969 x 0.984	2.165	1.378	0.709	0.15	5995210	30.057.5025.07
50/32	1-1/2 x 1	1.969 x 1.260	2.165	1.693	0.669	0.18	5995211	30.057.5032.07
50/40	1-1/2 x 1-1/4	1.969 x 1.575	2.165	2.047	0.984	0.20	5995212	30.057.5040.07
63/25	2 x 3/4	2.480 x 0.984	2.520	1.378	0.724	0.24	5995248	30.057.6325.07
63/32	2 x 1	2.480 x 1.260	2.520	1.639	0.799	0.27	5995249	30.057.6332.07
63/40	2 x 1-1/4	2.480 x 1.575	2.520	2.047	0.843	0.29	5995250	30.057.6340.07
63/50	2 x 1-1/2	2.480 x 1.969	2.520	2.520	0.969	0.33	5995251	30.057.6350.07
75/63	2-1/2 x 2	2.953 x 2.480	2.520	3.189	1.126	0.46	5995292	30.057.7563.07
90/63	3 x 2	3.543 x 2.480	3.425	3.189	1.142	0.79	5995338	30.057.9063.07
90/75	3 x 2-1/2	3.543 x 2.953	3.425	3.622	1.299	0.79	5995339	30.057.9075.07
110/63	4 x 2	4.331 x 2.480	3.465	3.189	1.154	1.06	5995420	30.057.1163.07
110/90	4 x 3	4.331 x 3.543	3.425	4.449	1.398	1.28	5995422	30.057.1190.07

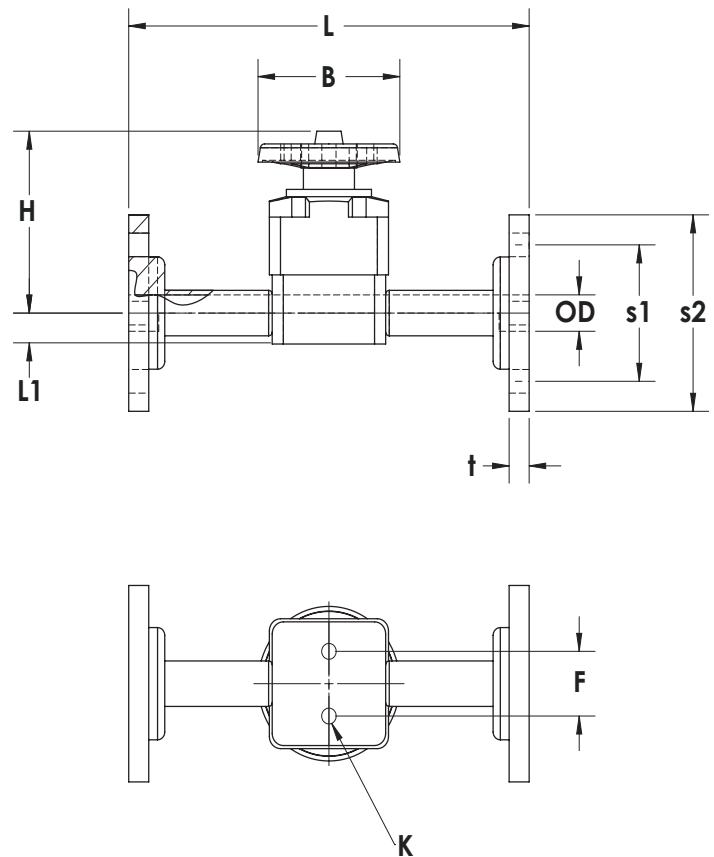
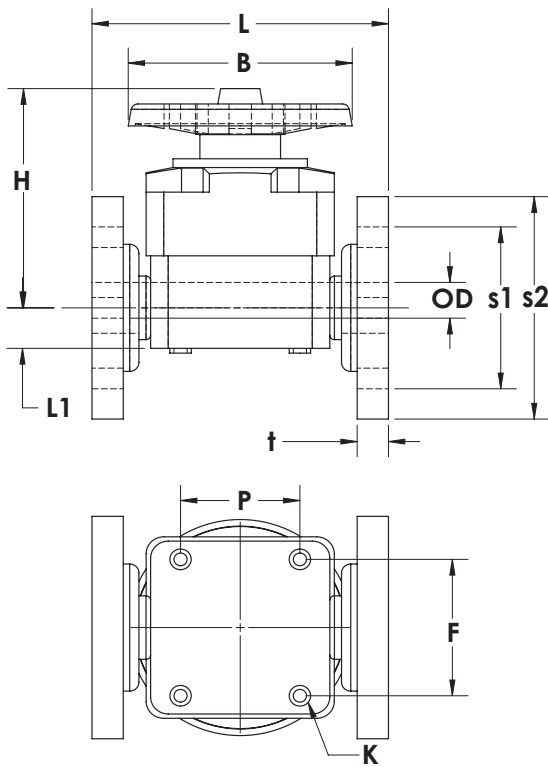
Note: OD1 male spigot. D2 female socket.

Purad®
UHP PVDF



T-342 Diaphragm Valve
-Manually Controlled
-EPDM/PTFE Diaphragm

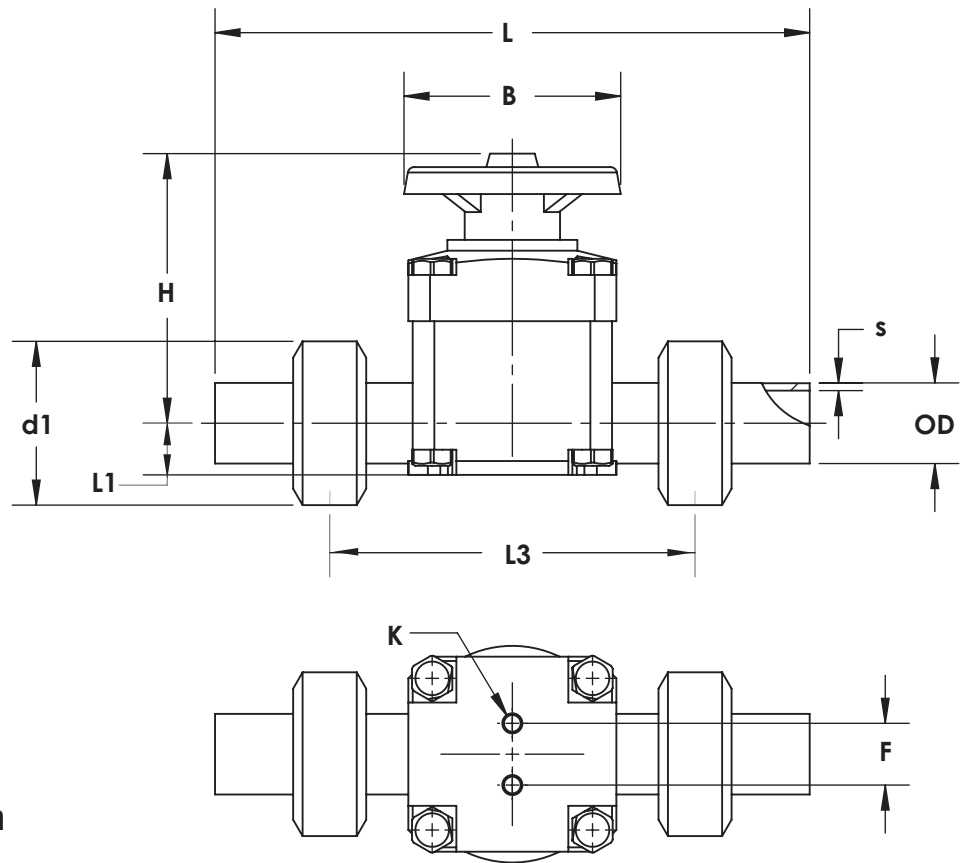
OD		Dimensions										SDR 21 / PN 10 / 150 PSI		
mm	inch	OD	s	L	L1	H	B	t	F	P	K	Weight (lbs)	Asahi P/N	Agro Code
20	1/2	15	0.075	5.236	0.650	3.937	3.346	1.417	0.965	-	M6	1.10	1131005	35.342.1020.21
25	3/4	20	0.075	5.699	0.650	3.937	3.346	1.417	0.965	-	M6	1.12	1131007	35.342.1025.21
32	1	25	0.094	6.063	0.807	4.213	3.346	1.417	0.965	-	M6	1.61	1131010	35.342.1032.21
40	1-1/4	32	0.094	7.598	1.004	5.669	5.315	1.811	1.732	-	M8	3.48	1131012	35.342.1040.21
50	1-1/2	40	0.118	7.638	1.26	5.669	5.315	1.811	1.732	-	M8	3.67	1131015	35.342.1050.21
63	2	50	0.118	8.819	1.516	6.693	5.315	2.126	1.732	-	M8	5.39	1131020	35.342.1063.21
75	2-1/2	65	0.142	11.181	0.984	10.000	9.213	1.457	9.055	-	M12	12.6	1131025	35.342.1075.21
90	3	80	0.169	11.811	0.984	10.000	9.213	1.457	9.055	-	M12	13.1	1131030	35.342.1090.21
110	4	100	0.209	13.386	0.984	12.598	9.213	1.969	11.024	3,350	M12	23.9	1131040	35.342.1011.21



T-342 Diaphragm Valve
-Flanged Connection, ANSI
-Manually Controlled
-EPDM/PTFE Diaphragm

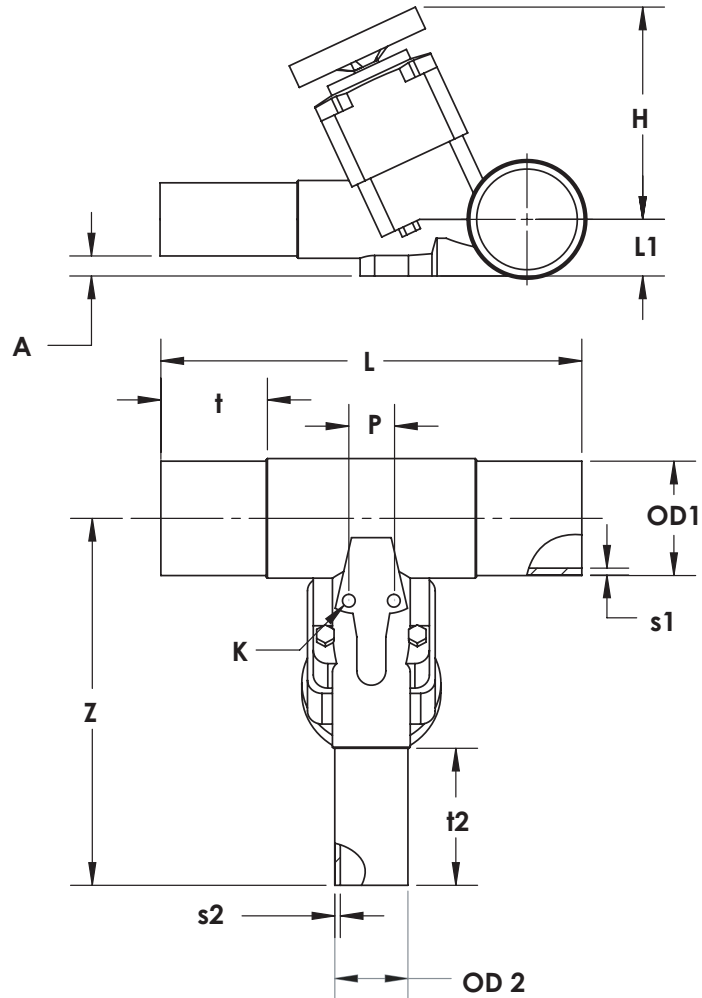
OD		Dimensions											SDR 21 / PN 10 / 150 PSI		
mm	inch	OD	s1	s2	L	L1	H	B	t	F	P	K	Weight (lbs)	Asahi P/N	Agru Code
20	1/2	15	2.561	3.743	8.668	0.670	3.940	3.349	0.473	0.957	-	M6	2.36	1181005*	
25	3/4	20	2.955	4.255	9.456	0.670	3.940	3.349	0.473	0.957	-	M6	2.71	1181007*	
32	1	25	3.349	4.531	9.850	0.827	4.216	3.349	0.630	0.957	-	M6	3.79	1181010*	
40	1-1/4	32	3.503	5.516	7.092	1.005	5.674	5.348	0.749	1.005	-	M8	4.94	1181012	35.342.2040.21
50	1-1/2	40	3.877	5.910	7.880	1.261	5.674	5.358	0.906	1.261	-	M8	5.73	1181015	35.342.2050.21
63	2	50	4.728	6.501	9.062	1.517	6.698	5.358	0.985	1.517	-	M8	8.44	1181020	35.342.2063.21
75	2-1/2	65	5.713	7.368	14.972	0.985	10.008	9.220	0.709	9.062	-	M12	19.0	1181025*	
90	3	80	5.910	7.880	12.214	0.985	10.008	9.220	1.418	0.985	-	M12	17.5	1181030	35.342.2090.21
110	4	100	6.895	8.983	13.790	0.985	12.608	9.220	1.379	0.985	3.350	M12	30.6	1181040	35.342.2011.21

Purad®
UHP PVDF



T-342 Diaphragm Valve
-True Union Connection
-Manually Controlled
-EPDM/PTFE Diaphragm

OD		Dimensions										SDR 21 / PN 10 / 150 PSI		
mm	inch	OD	s	L	L1	L3	H	B	d1	F	K	Weight (lbs)	Asahi P/N	Agro Code
20	1/2	15	0.075	7.795	0.650	3.543	3.386	1.870	3.937	0.957	M6	1.10	1164005	35.340.0020.21
25	3/4	20	0.075	8.740	0.650	4.252	3.386	2.283	3.937	0.957	M6	1.12	1164007	35.340.0025.21
32	1	25	0.974	9.291	0.791	4.567	3.386	2.559	4.213	0.957	M6	1.61	1164010	35.340.0032.21
40	1-1/4	32	0.094	10.236	1.004	5.276	5.354	3.110	5.669	1.732	M8	3.48	1164012	35.340.0040.21
50	1-1/2	40	0.118	11.260	1.240	6.063	5.354	3.543	5.669	1.732	M8	3.67	1164015	35.340.0050.21
63	2	50	0.118	12.677	1.516	7.244	5.354	4.331	6.693	1.732	M8	5.39	1164020	35.340.0063.21



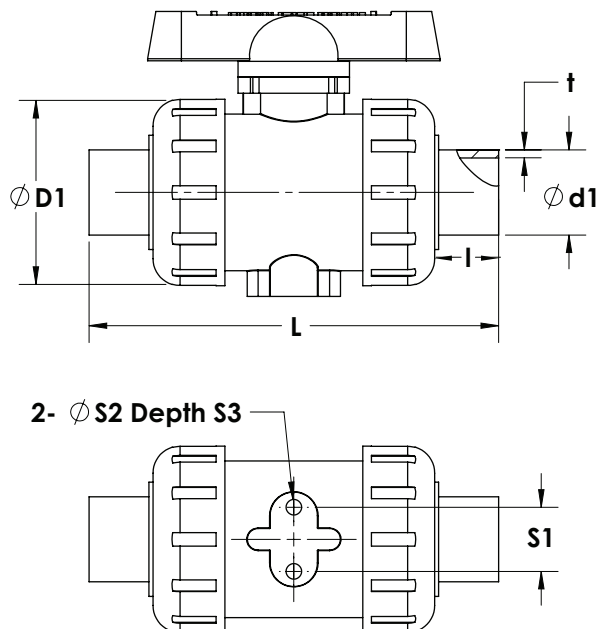
**T-343 Diaphragm Valve
-Manually Controlled
-EPDM/PTFE Diaphragm**

OD		Dimensions											SDR 21 / PN 10 / 150 PSI				
mm	inch	OD	OD2	s1	s2	L	L1	Z	H	A	t	t2	P	K	Weight (lbs)	Asahi P/N	Agro Code
20/20	1/2/1/2	20	15	0.075	0.075	6.457	0.512	5.669	4.646	0.787	1.417	2.638	0.984	M6	1.36	1246005	35.343.202.21
25/20	3/4/1/2	20	15	0.075	0.075	6.457	0.551	5.669	4.646	0.787	1.417	2.638	0.984	M6	1.32	1246101	35.343.2520.21
25/25	3/4/3/4	20	20	0.075	0.075	6.457	0.591	5.591	4.646	0.787	1.417	2.756	0.984	M6	1.34	1246007	35.343.2525.21
32/20	1/1/2	25	15	0.094	0.075	6.457	0.669	5.906	5.039	0.787	1.417	2.283	0.984	M6	1.96	1246130	35.343.3220.21
32/25	1/3/4	25	20	0.094	0.075	6.457	0.669	5.906	5.039	0.787	1.417	2.362	0.984	M6	1.96	1246131	35.343.3225.21
32/32	1/1	25	25	0.094	0.094	7.244	0.709	5.039	5.039	0.787	1.417	2.402	0.984	M6	2.04	1246010	35.343.3232.21
40/20	1-1/4/1/2	32	15	0.094	0.075	7.244	0.827	6.102	5.039	0.787	1.811	2.283	0.984	M6	2.09	1246166	35.343.4020.21
40/25	1-1/4/3/4	32	20	0.094	0.075	7.244	0.846	6.102	5.039	0.787	1.811	2.362	0.984	M6	2.09	1246167	35.343.4025.21
40/32	1-1/4/1	32	25	0.094	0.094	7.244	0.846	6.102	5.039	0.787	1.811	2.402	0.984	M6	2.02	1246168	35.343.4032.21
40/40	1-12/1/2	32	32	0.118	0.095	9.259	0.847	9.298	7.447	0.787	1.812	3.664	1.772	M8	5.9	1246012	35.343.4040.21
50/20	1-1/2/3/4	40	15	0.118	0.075	7.244	1.043	6.319	5.039	0.787	1.811	2.323	0.984	M6	2.29	1246208	35.343.5020.21
50/25	1-1/2/1	40	20	0.118	0.075	7.244	1.043	6.319	5.039	0.787	1.811	2.362	0.984	M6	2.27	1246210	35.343.5025.21
50/32	2/1/2	40	25	0.118	0.094	7.244	1.043	6.260	5.039	0.787	1.811	2.402	0.984	M6	2.28	1246211	35.343.5032.21
50/50	2/3/4	40	40	0.118	0.118	9.259	1.044	9.377	7.88	0.787	1.812	3.664	1.772	M8	6.56	1246246	35.343.5050.21
63/20	2/1	50	15	0.118	0.075	7.244	1.299	6.614	5.039	0.787	1.811	2.283	0.984	M6	2.46	1246248	35.343.6320.21
63/25	2/3/4	50	20	0.118	0.075	7.244	1.299	6.614	5.039	0.787	1.811	2.362	0.984	M6	2.46	1246249	35.343.6325.21
63/32	2/1	50	25	0.118	0.094	7.244	1.299	6.614	5.039	0.787	1.811	2.402	0.984	M6	2.49	1246015	35.343.6332.21

Purad®
UHP PVDF

T-343 Diaphragm Valve
-Manually Controlled
-EPDM/PTFE Diaphragm
 (Continued)

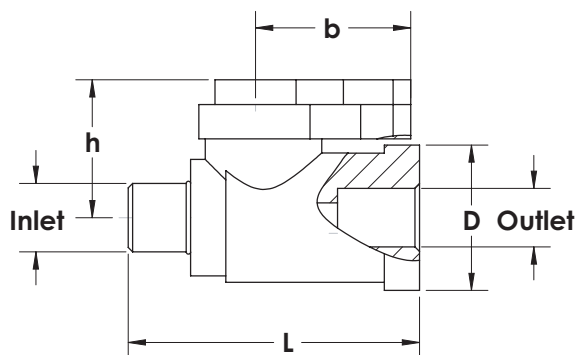
OD		Dimensions													SDR 21 / PN 10 / 150 PSI *SDR 33 x SDR 21 / PN 10 / 150 PSI		
mm	inch	OD	OD2	s1	s2	L	L1	Z	H	A	t	t2	P	K	Weight (lbs)	Asahi P/N	Agro Code
63/40	2-1/4	50	32	0.118	0.094	9.252	1.299	9.528	7.835	2.244	1.811	3.484	1.772	M8	7.02	1246250	35.343.6340.21
63/50	2-1/2	50	40	0.118	0.118	9.252	1.299	9.528	7.835	2.244	1.811	3.661	1.772	M8	7.04	1246251	35.343.6350.21
63/63	2-1/2	50	50	0.118	0.118	9.252	1.299	9.528	7.835	2.244	1.811	3.937	1.772	M8	6.95	1246020	35.343.6363.21
75/25	2-12/34	65	20	0.142	0.075	8.268	0.906	7.047	5.236	1.299	1.299	2.382	0.984	M6	2.84	1246286	35.343.7532.21
75/32	2-1/2	65	25	0.142	0.094	8.268	0.906	7.047	5.236	1.299	1.299	2.559	0.984	M6	2.82	1246289	35.343.7532.21
75/40	2-12/1-1/4	63	32	0.142	0.094	8.268	1.535	9.764	7.835	2.48	1.299	3.465	1.772	M8	7.17	1246290	35.343.7540.21
75/50	2-1/2-1-1/2	63	40	0.142	0.118	8.268	1.535	9.764	7.835	2.48	1.299	3.661	1.772	M8	7.15	1246291	35.343.7550.21
75/63	2-1/2	63	50	0.142	0.118	8.268	1.535	9.764	7.835	2.48	1.299	3.937	1.772	M8	7.08	1246292	35.343.7563.21
90/20	3/1/2	80	15	0.169	0.075	8.268	0.925	7.402	5.315	1.417	1.299	2.283	0.984	M6	3.30	1246332	35.343.9020.21
90/25	3/3/4	80	20	0.169	0.075	8.268	0.925	7.402	5.315	1.417	1.299	2.382	0.984	M6	3.28	1246333	35.343.9025.21
90/32	3/1	80	25	0.169	0.094	8.268	0.925	7.402	5.315	1.417	1.299	2.52	0.984	M6	3.3	1246336	35.343.9032.21
90/40	3-1-1/4	80	32	0.169	0.094	8.268	1.831	10.039	7.835	2.677	1.299	3.465	1.772	M8	7.55	1246335	35.343.9040.21
90/50	3-1-1/2	80	40	0.169	0.118	8.268	1.831	10.039	7.835	2.559	1.299	3.681	1.772	M8	7.39	1246337	35.343.9040.21
90/63	3/2	80	50	0.169	0.118	8.268	1.831	10.039	7.835	2.559	1.299	3.937	1.772	M8	7.52	1246338	35.343.9063.21
110/20	4/1/2	100	20	0.209	0.075	8.268	1.319	7.677	5.512	1.909	1.299	2.165	0.984	M6	3.94	1246399	35.343.1120.21
110/25	4/3/4	100	20	0.209	0.075	8.268	1.319	7.795	5.512	1.693	1.299	2.264	0.984	M6	3.83	1246404	35.343.1125.21
110/32	4/1	100	25	0.209	0.094	8.268	1.319	7.795	5.512	1.693	1.299	2.402	0.984	M6	3.96	1246401	35.343.1132.21
110/40	4-1-1/4	100	32	0.209	0.094	8.268	2.224	10.512	7.835	2.953	1.299	3.484	1.772	M8	8.29	1246412	35.343.1140.21
110/50	4-1-1/2	100	40	0.209	0.118	8.268	2.224	10.4112	7.835	3.071	1.299	3.681	1.772	M8	8.32	1246415	35.343.1150.21
110/63	4/2	100	50	0.209	0.118	8.268	2.224	10.512	7.835	2.953	1.299	3.937	1.772	M8	8.25	1246420	35.343.1163.21
90/20	3/1/2	80	15	0.110	0.075	8.268	0.925	7.402	5.315	1.417	1.299	2.283	0.984	M6	2.93	1248332*	35.343.9020.31
90/25	3/3/4	80	20	0.110	0.075	8.268	0.925	7.402	5.315	1.417	1.299	2.382	0.984	M6	2.93	1248333*	35.343.9025.31
90/32	3/1	80	25	0.110	0.094	8.268	0.925	7.402	5.315	1.417	1.299	2.52	0.984	M6	2.95	1248336*	35.343.9032.31
90/40	3-1-1/4	80	32	0.110	0.094	8.268	1.831	10.039	7.835	2.677	1.299	3.465	1.772	M8	7.19	1248335*	35.343.9040.31
90/50	3-1-1/2	80	40	0.110	0.118	8.268	1.831	10.039	7.835	2.559	1.299	3.681	1.772	M8	7.44	1248337*	35.343.9050.31
90/63	3/2	80	50	0.110	0.118	8.268	1.831	10.039	7.835	2.559	1.299	3.937	1.772	M8	7.13	1248338*	35.343.9063.31
110/20	4/1/2	100	20	0.134	0.075	8.268	1.319	7.559	5.512	1.909	1.299	2.165	0.984	M6	3.67	1248399*	35.343.1120.31
110/25	4/3/4	100	20	0.134	0.075	8.268	1.319	7.795	5.512	1.693	1.299	2.264	0.984	M6	3.56	1248404*	35.343.1125.31
110/32	4/1	100	25	0.134	0.094	8.268	1.319	7.795	5.512	1.693	1.299	2.402	0.984	M6	3.56	1248401*	35.343.1132.31
110/40	4-1-1/4	100	32	0.134	0.094	8.268	2.224	10.512	7.835	2.953	1.299	3.484	1.772	M8	8.01	1246812*	35.343.1140.31
110/50	4-1-1/2	100	40	0.134	0.118	8.268	2.224	10.512	7.835	3.071	1.299	3.681	1.772	M8	7.83	1248415*	35.343.1150.31
110/63	4/2	100	50	0.134	0.118	8.268	2.224	10.512	7.835	2.953	1.299	3.937	1.772	M8	7.50	1248420*	35.343.1163.31



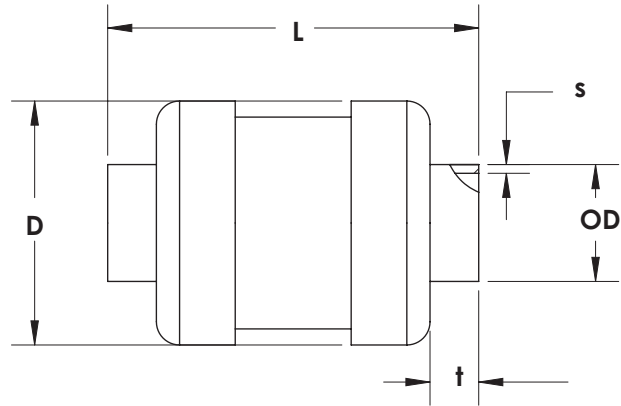
Type-21 Ball Valve

OD		Dimension								Weight (lbs)	SDR 21 / PN 16 / 230 PSI	
mm	inch	D1	d1	l	t	L	S1	S2	S3		Asahi P/N	
20	1/2	1.89	0.787	0.728	0.075	4.882	0.75	0.29	0.43	0.5	1067005	
25	3/4	2.36	0.984	0.866	0.075	5.670	0.75	0.29	0.43	0.8	1067007	
32	1	2.76	1.260	0.866	0.094	6.063	0.75	0.29	0.43	1.1	1067010	
40	1-1/4	3.23	1.575	1.024	0.094	6.850	1.18	0.35	0.59	2.3	1067012	
50	1-1/2	3.94	1.969	1.260	0.118	7.638	1.18	0.35	0.59	2.5	1067015	
63	2	4.96	2.480	1.414	0.118	8.819	1.18	0.35	0.59	2.7	1067020	

Sampling Ball Valve

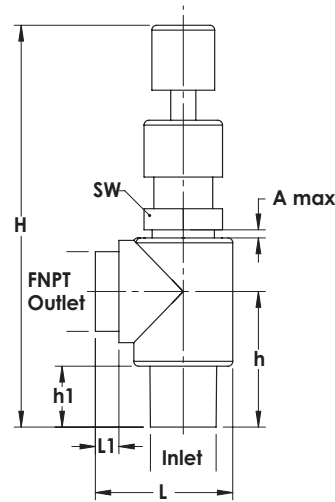


OD		Dimensions					Weight (lbs)	PN 10 /150 PSI	
Inlet	Outlet	D	L	h	b	Asahi P/N		Agru Code	
1/4"MNPT	1/4" Female G	1.100	2.200	1.040	1.170	0.13	1068003	35.337.1000.11	
1/4"MNPT	1/4" Hose Barb	1.100	3.550	1.040	1.170	0.13	1068003	35.337.1000.11	
1/4"MNPT	1/4"FNPT	1.100	3.010	1.040	1.170	0.13	1068003	35.337.1000.11	
1/4"MNPT	1/4" Plug	1.100	2.550	1.040	1.170	0.13	1068003	35.337.1000.11	



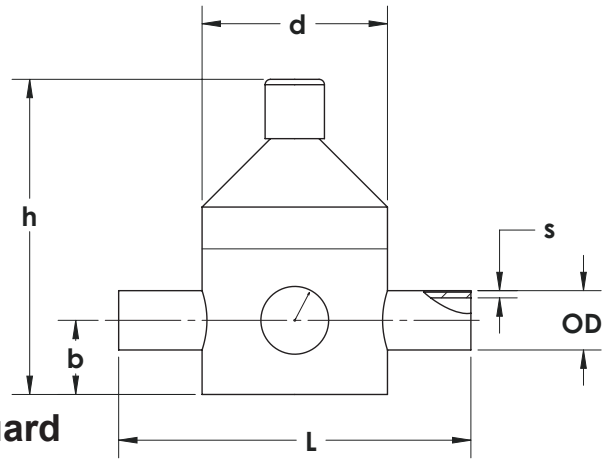
**Ball Check Valve
Spigot End**

OD		Dimensions				SDR 21 / PN 16 / 230 PSI
mm	inch	D	L	t	s	Asahi P/N
20	1/2	1.871	5.885	1.665	0.098	6332005
25	3/4	2.279	6.569	1.745	0.109	6332007
32	1	2.553	7.615	1.745	0.120	6332010
40	1-1/4	3.115	8.043	1.875	0.144	6332012
50	1-1/2	3.568	8.370	1.945	0.179	6332015
63	2	4.355	8.775	1.966	0.226	6332020



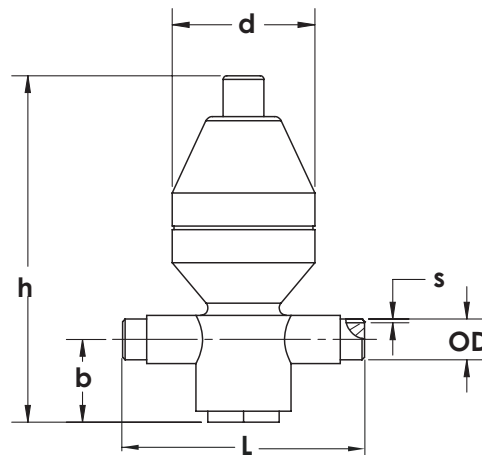
Angle Needle Valve

OD		Dimensions							PN 10 /150 PSI	
Inlet	Outlet	D	H	h	A max	L	L1	sw	Weight (lbs)	Asahi P/N
16mm Butt	1/4" FNPT	0.79	3.94	1.38	0.28	1.48	0.31	0.81	0.23	6382002
20mm Butt	1/2" FNPT	1.18	4.67	1.38	0.35	1.97	0.55	1.06	0.23	6382005
1/4" FNPT	1/4" FNPT	0.79	3.72	1.16	0.28	1.48	0.31	0.81	0.23	6380002
1/2" FNPT	1/2" FNPT	1.18	4.63	1.34	0.35	1.97	0.55	1.06	0.23	6380005



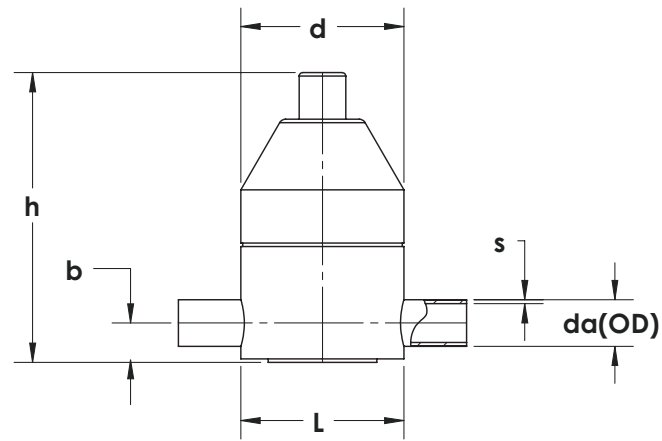
V82 Pressure Regulator w/ Gauge Guard

OD		Dimensions						Range	Weight (lbs)	Asahi P/N
mm	inch	OD	d	L	b	h	s	psi		
20	1/2	15	2.756	5.906	1.181	5.118	0.075	7-145	1.17	540241005
25	3/4	20	3.937	7.480	1.575	6.693	0.075	7-145	2.38	540241007
32	1	25	3.937	7.480	1.575	6.693	0.094	7-145	2.90	540241010
40	1-1/4	32	5.118	9.449	2.165	9.055	0.094	7-145	5.52	540241012
50	1-1/2	40	5.118	9.449	2.165	9.055	0.118	7-145	5.52	540241015
63	2	50	6.102	10.236	2.953	11.220	0.118	7-145	8.71	540241020
75	2-1/2	65	7.480	11.811	3.937	13.780	0.142	7-145	17.4	540241025



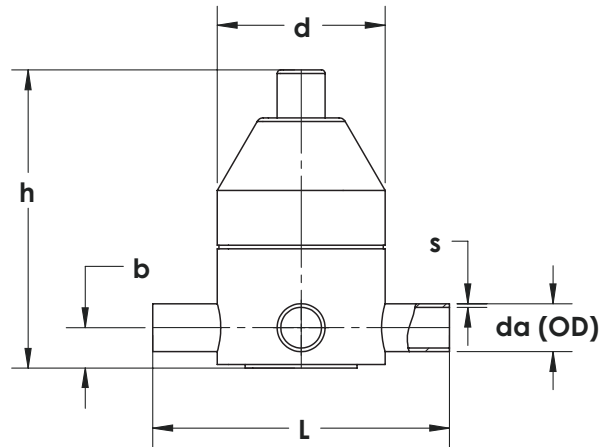
V782 Pressure Regulator

OD		Dimensions						Range	Weight (lbs.)	Asahi P/N
mm	inch	OD	d	L	b	h	s	psi		
20	1/2	15	3.268	6.772	1.89	9.449	0.075	7-145	1.10	540243005
25	3/4	20	4.409	7.48	2.559	10.709	0.075	7-145	3.08	540243007
32	1	25	4.409	7.48	2.559	10.709	0.094	7.145	3.08	540243010
40	1-1/4	32	6.496	10.315	3.74	14.016	0.094	7.145	8.58	540243012
50	1-1/2	40	6.496	10.315	3.74	14.016	0.118	7.145	8.58	540243015



V186 Back Regulator Regulator

OD		Dimensions						Range	Weight (lbs)	Asahi P/N
mm	inch	OD	d	L	b	h	s	psi		
20	1/2	15	3.268	6.22	0.787	5.394	0.075	7-145	0.86	540243005
25	3/4	20	3.268	6.22	0.787	5.394	0.075	7-145	0.88	540243007
32	1	25	4.409	7.795	1.063	7,835	0.094	7.145	2.27	540244010
40	1-1/4	32	4.409	7.795	1.063	7,835	0.094	7.145	2.27	540244012
50	1-1/2	40	6.496	10.315	1.693	11.417	0.118	7-145	9.68	540244015
63	2	50	6.496	10.315	1.693	11.417	0.118	7-145	9.90	540244020

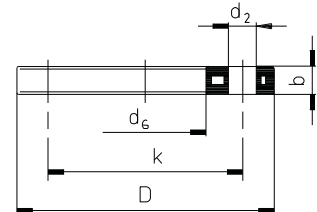


V185 Pressure Relief T-Valve

OD		Dimensions						Range	Weight (lbs)	Asahi P/N
mm	inch	OD	d	L	b	h	s	psi		
20	1/2	15	3.268	6.220	0.787	5.394	0.075	7-145	0.88	540245005
25	3/4	20	3.268	6.220	0.787	5.394	0.075	7-145	1.98	540245007
32	1	25	4.409	7.795	1.063	7.835	0.094	7-145	1.98	540245010
40	1-1/4	32	4.409	7.795	1.063	7.835	0.094	7-145	2.40	540245012
50	1-1/2	40	6.496	10.315	1.693	11.417	0.118	7-145	9.68	540244015
63	2	50	6.496	10.315	1.693	11.417	0.118	7-145	9.90	540244020

Proline 150 PP Blind Flange

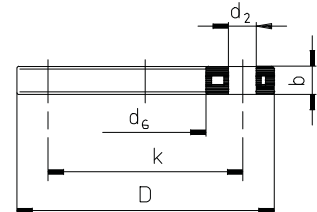
- with Steel Insert
- Molded



OD		Dimensions					up to a pressure rate of 16 bar acc. DIN 16962 part5			
[mm]	[inch]	D	k	d ₂	b	Bolt Holes	Torque [ft/lbs]	Agru Code	Asahi Part #	Weight (lbs)
20	½"	3.740	2 3/8"	5/8"	0.472	4	11	11.043.0020.11	5042005	0.49
25	¾"	4.016	2 3/4"	5/8"	0.472	4	11	11.043.0025.11	5042007	0.62
32	1"	4.488	3 1/8"	5/8"	0.630	4	11	11.043.0032.11	5042010	0.93
40	1¼"	5.118	3 1/2"	5/8"	0.630	4	18	11.043.0040.11	5042012	1.12
50	1½"	5.236	3 7/8"	5/8"	0.709	4	26	11.043.0050.11	5042015	1.32
63	2"	6.378	4 7/8"	3/4"	0.709	4	26	11.043.0063.11	5042020	1.92
75	2½"	7.244	5 1/2"	3/4"	0.709	4	30	11.043.0075.11	5042025	2.29
90	3"	7.638	6"	3/4"	0.709	4	30	11.043.0090.11	5042030	2.43
110	4"	9.016	7 1/2"	3/4"	0.709	8	30	11.043.0110.11	5042040	3.57
160	6"	11.142	9 1/2"	7/8"	0.945	8	44	11.043.0160.11	5042060	5.47
200	8"	13.583	11 3/4"	7/8"	0.945	8	52	11.043.0200.11	5042080	7.80
250	10"	16.220	14 1/4"	1"	1.063	12	74	11.043.0250.11	5042100	14.18
315	12"	19.173	17"	1"	1.260	12	81	11.043.0315.11	5042120	27.87

Proline 150 PP Backing Ring

- with Steel Insert
- Molded



OD		Dimensions					up to a pressure rate of 16 bar acc. DIN 16962 part5				
[mm]	[inch]	D	k	d ₆	d ₂	b	Bolt Holes	Torque [ft/lbs]	Agro Code	Asahi Part #	Weight (lbs)
20	½"	3.740	2 3/8"	1.102	5/8"	0.472	4	11	11.013.0020.11	5046005	0.49
25	¾"	4.016	2 3/4"	1.339	5/8"	0.472	4	11	11.013.0025.11	5046007	0.62
32	1"	4.488	3 1/8"	1.654	5/8"	0.630	4	11	11.013.0032.11	5046010	0.93
40	1¼"	5.118	3 1/2"	2.008	5/8"	0.630	4	18	11.013.0040.11	5046012	1.12
50	1½"	5.236	3 7/8"	2.441	5/8"	0.709	4	26	11.013.0050.11	5046015	1.32
63	2"	6.378	4 7/8"	3.071	3/4"	0.709	4	26	11.013.0063.11	5046020	1.92
75	2½"	7.244	5 1/2"	3.622	3/4"	0.709	4	30	11.013.0075.11	5046025	2.29
90	3"	7.638	6"	4.370	3/4"	0.709	4	30	11.013.0090.11	5046030	2.43
110	4"	9.016	7 1/2"	5.236	3/4"	0.709	8	30	11.013.0110.11	5046040	3.57
160	6"	11.142	9 1/2"	7.008	7/8"	0.945	8	44	11.013.0160.11	5046060	5.47
200	8"	13.583	11 3/4"	9.291	7/8"	0.945	8	52	11.013.0200.11	5046080	7.80
250	10"	16.220	14 1/4"	11.339	1"	1.063	12	74	11.013.0250.11	5046100	14.18
315	12"	19.173	17"	13.307	1"	1.260	12	81	11.013.0315.11	5046120	27.87

225mm (9") AND 200mm (8") Stub Ends use 8" ANSI Backing Ring.
Consult factory for Backing Ring Details larger than 12".

Another Corrosion Problem Solved.TM



35 Green St., Malden, MA 02148

Tel: 800-343-3618; 781-321-5409

**Direct Sales: East (800) 232-7244
Central (800) 442-7244
West (800) 282-7244**

Fax: 800-426-7058

www.asahi-america.com

asahi@asahi-america.com
