

STV SERIES COMBINATION TRAP TEST & BLOCKING STEAM VALVE

Pressures To 250 PSIG (17.2 barg)
Temperatures to 406°F (208°C)



APPLICATIONS

- Test Steam Traps
- Sample Fluids or Gases from Process Lines

OPTIONS

- Stainless Steel Latch-lok Handle
- Extended Handle

Canadian Registration # OCO591.97

Visual Steam Trap Test — Provides for quick visual examination of steam trap discharge.

Compact Body — Small size facilitates installation and operation in tight spaces.

Stainless Steel Internals — High quality materials provide long service life and protection against corrosion.

Repairable — All parts are easily replaceable.

Large Size Test Vent — Vent passage in ball is large enough to provide true determination of trap discharge.

Safety Designed — Bottom loaded, pressure retaining stem and packing nut threaded to body provides extra margin of safety.

Reduces Labor Costs — Eliminates need to install and maintain separate blocking and test valves.

Minimizes Risk of Connection Leaks — Eliminates the need for numerous fittings.

OPERATION

STV test/block valve is installed on downstream side of steam trap. During normal operation, valve is in open position with unrestricted flow through trap into the return system.

One quarter turn (90°) of STV blocks flow from return and vents trap discharge to atmosphere. Provides quick, visual check of trap operation.

STV SERIES

COMBINATION TRAP TEST & BLOCKING STEAM VALVE

MAXIMUM OPERATION CONDITIONS

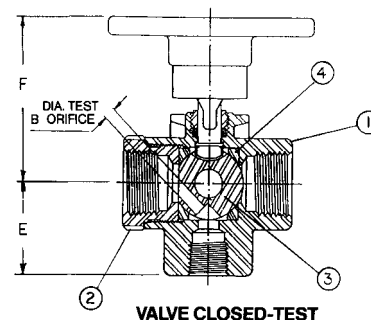
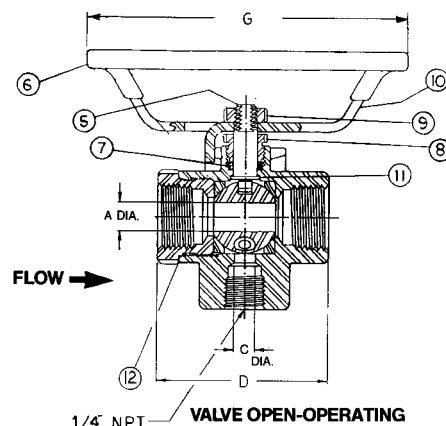
PMO: Max. Operating Pressure	250 psig	(17 barg)
TMO: Max. Operating Temperature	406°F	(208°C)
PMA: Max. Allowable Pressure	250 psig	(17 barg)
TMA: Max. Allowable Temperature	406°F	(208°C)

MATERIALS OF CONSTRUCTION

Body:	ASTM A216 WCB Carbon Steel
	(Blk oxide & oil coat)
Adapter:	.12L14C.R.S. (Blk oxide & oil coat)
Ball:	.316 Stainless Steel
Seat:	.25% Mineral Fill Virgin Teflon
Stem:	.316 Stainless Steel
Insulator:	Plastisol (Vinyl grip)
Packing Gland:	Carbon Reinforced Teflon
Packing Nut:	.12L14 C.R.S. (Blk oxide & oil coat)
Handle Nut:	Steel (Zinc plated)
Handle:	.11 Ga. C.R.S. (Zinc plated)
Thrust Washer:	Glass Reinforced Teflon
Body Seal:	Virgin Teflon

DIMENSIONS

Size	Inches (mm)							Weight Lbs. (kg)
	A	B	C	D	E	F	G	
1/2" (15)	.375 (10)	.156 (4)	.281 (7)	2.26 (57)	1.20 (30)	2.17 (55)	4.25 (108)	1.1 (.5)
3/4" (20)	.531 (13)	.218 (6)	.281 (7)	2.83 (72)	1.49 (38)	2.45 (62)	4.25 (108)	1.4 (.64)



Connections: 1/4" NPT Blowdown
1/2" and 3/4" NPT Inlet & Outlet

