

# Series 11

## Direct Mount 2-Piece Ball Valve

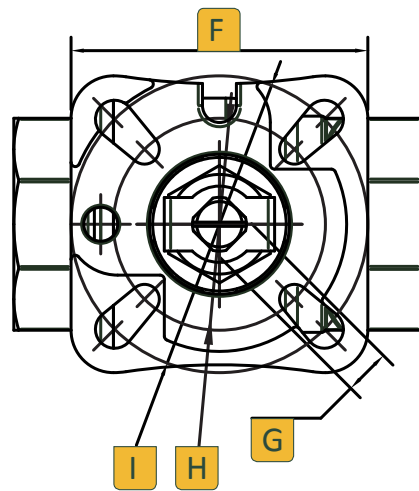
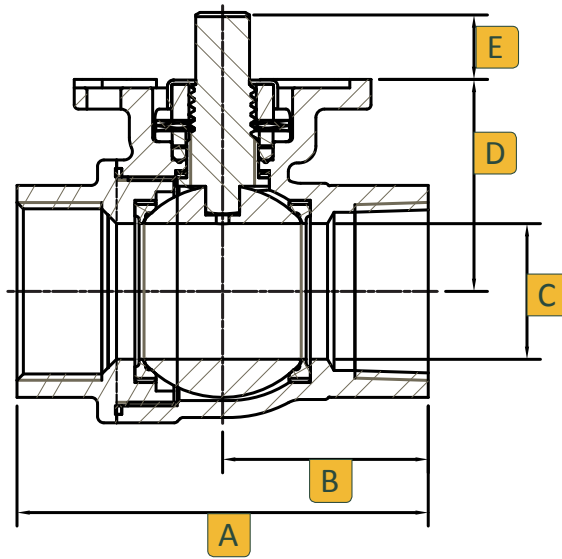
### Features

- Full port
- 1000 WOG
- Rated to 150 psig of saturated steam (mounting bracket must be used for steam applications)
- ISO 5211 direct mount pad eliminates the need for brackets and couplings
- Live loaded multiple packing stem seal
- Heavy duty large diameter stem
- Actuator Options
  - 4X4® - Four Piston Actuator
  - SPN II - Two Piston Actuator
  - Electric Actuator



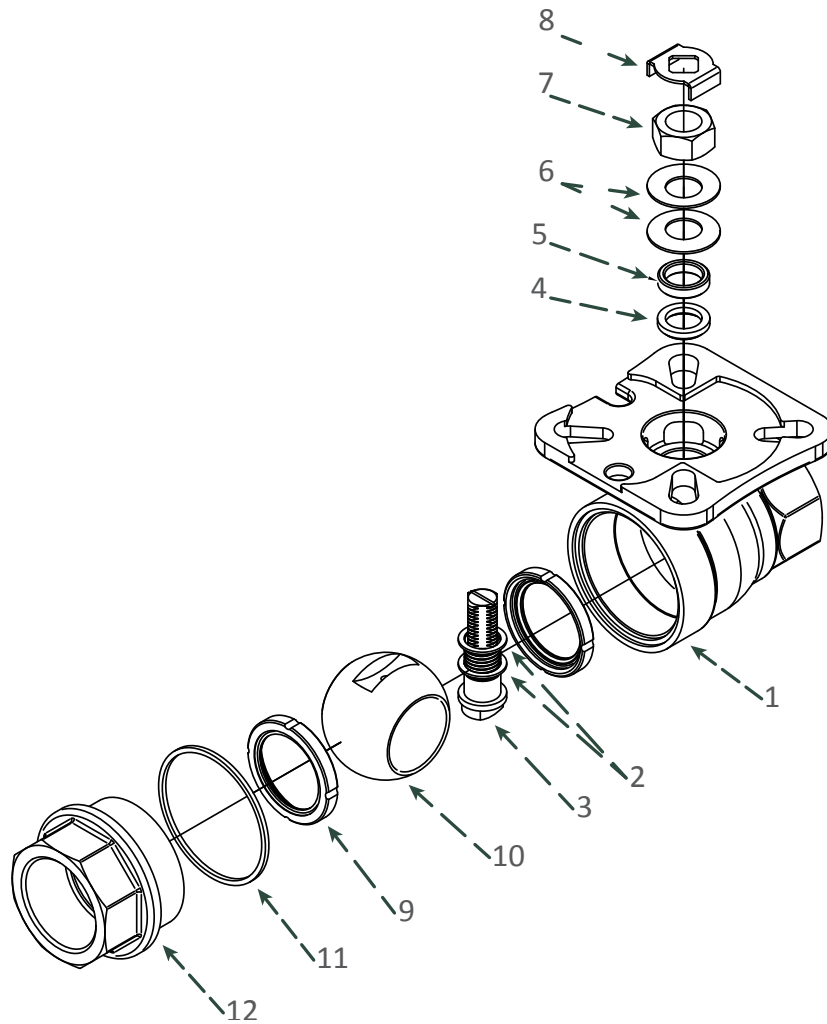
Valves, Automation & Controls





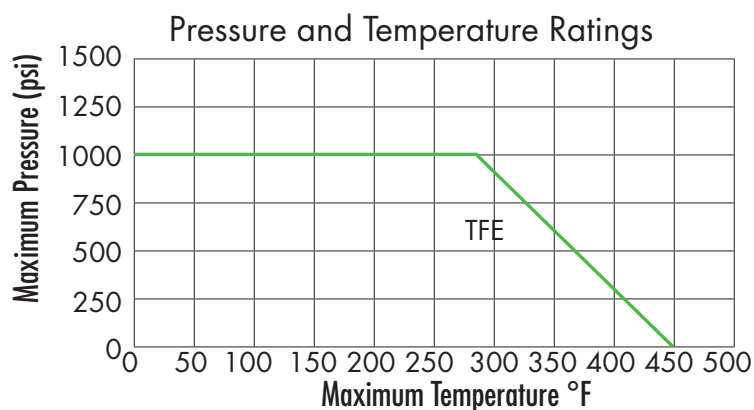
Dimensions (Inches)

Size	A	B	C	D	E	F	G	H	I
1/4	2.34	1.17	0.25	1.38	0.40	1.97	0.35	F03	F05
3/8	2.34	1.17	0.50	1.38	0.40	1.97	0.35	F03	F05
1/2	2.34	1.17	0.59	1.38	0.40	1.97	0.35	F03	F05
3/4	2.91	1.40	0.79	1.48	0.46	1.97	0.35	F03	F05
1	3.31	1.57	1.00	1.69	0.56	2.76	0.35	F05	F07
1-1/4	3.82	1.91	1.26	1.97	0.61	2.76	0.43	F05	F07
1-1/2	4.33	2.17	1.50	2.21	0.61	2.76	0.43	F05	F07
2	5.28	2.64	2.00	2.50	0.63	2.76	0.43	F05	F07



No.	Part Name	Qty	Material
1	Body	1	316 Stainless Steel
2	Thrust Washer	2	TFE
3	Stem	1	316 Stainless Steel
4	Stem Seal	1	TFE
5	Gland	1	304 Stainless Steel
6	Belleville Washer	2	301 Stainless Steel
7	Gland Nut	1	304 Stainless Steel
8	Lock Tab	1	304 Stainless Steel
9	Seat	2	TFM 1600
10	Ball	1	316 Stainless Steel
11	Body Seal	1	TFE
12	End Cap	1	316 Stainless Steel

Size	CV	Breakaway Torque LB IN
1/4	8	40
3/8	8	40
1/2	38	40
3/4	71	80
1	110	110
1-1/4	230	160
1-1/2	350	190
2	600	250



## Ordering

Fig: 3/4 - 11 - 6 - 6 - M - X60 - SR2

Description: 3/4" - Series 11 - Stainless Steel - TFM Seat - 4X4® X60 Actuator - 2 Springs

Size	Series	Body	Ball & Stem	Seat	Pneumatic Actuator	Spring	Electric Actuator	Options
1/4	11	6 316 Stainless Steel	6 316 Stainless Steel	M TFM	4X4®	DA Double Acting (No Springs)	SEA 1 SEA 3	4X4®
3/8					X40	SR1 1 Spring	P1 High Temp Viton Seals -15°F to 300°F	
1/2					X50	SR2 2 Springs	P2 Low Temp EPDM Actuator -40°F to 176°F	
3/4					X60	SR3 3 Springs	P3 Actuator Locking Device	
1					X75	SR4 4 Springs	P4 Reverse Rotation	
1-1/4					SPN II	SR5 5 Springs	SPN II	
1-1/2					050	SR6 6 Springs	P1 High Temp Viton Seals -15°F to 300°F	
2					075	SR7 7 Springs	P2 Low Temp EPDM Actuator -40°F to 176°F	
					085	SR8 8 Springs	P3 Electroless Nickel Treatment	
	100	SR9 9 Springs	P4 Epoxy Coating					
							SEA	
							1 220V	
							2 24V	
							3 12 VDC	
							4 24 VDC	
							AS Auxiliary Switches	
							FP Feedback Potentiometer	
							CR Control Relays	
							HT Heater & Thermostat	
							BD Breather & Drain	
							PP Proportional Positioner	
							FT Feedback Transmitter	
							SC Speed Control	
							TR Timers	
							TS Torque Sensor	
							Solenoids	
							1 4/12 NEMA 4X 120 VAC	
							2 4/22 NEMA 4X 240 VAC	
							3 4/2A NEMA 4X 24 VAC	
							5 7/12 NEMA 7/9 120 VAC	
							6 7/22 NEMA 7/9 240 VAC	
							8 7/2A NEMA 7/9 24 VAC	