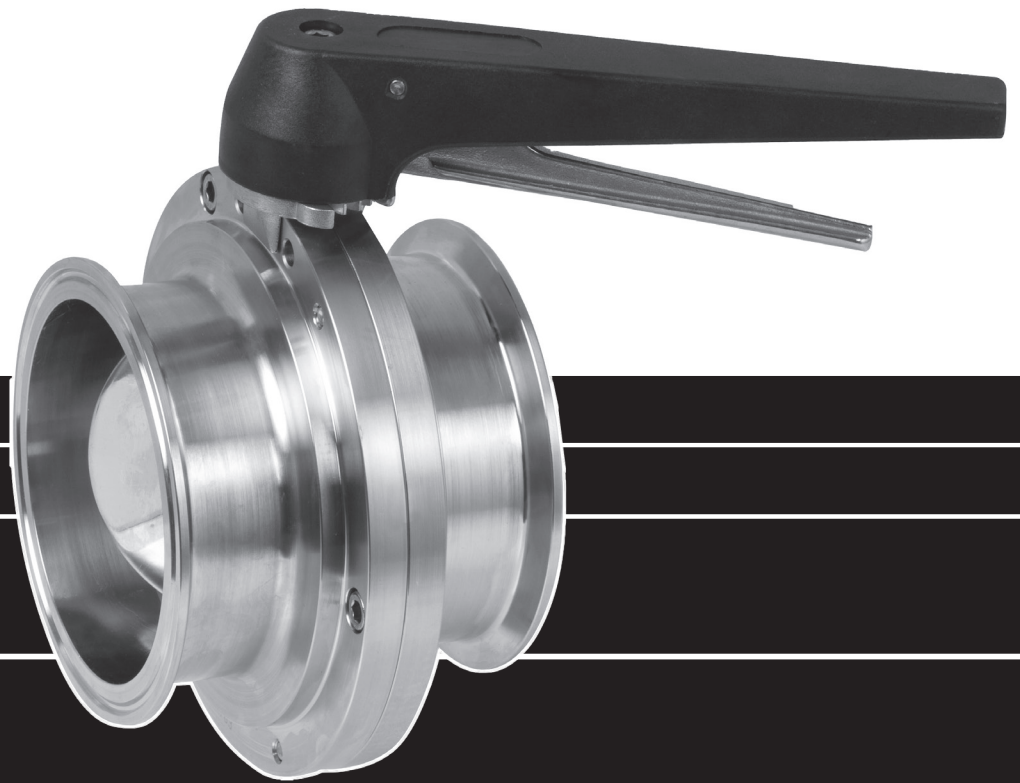
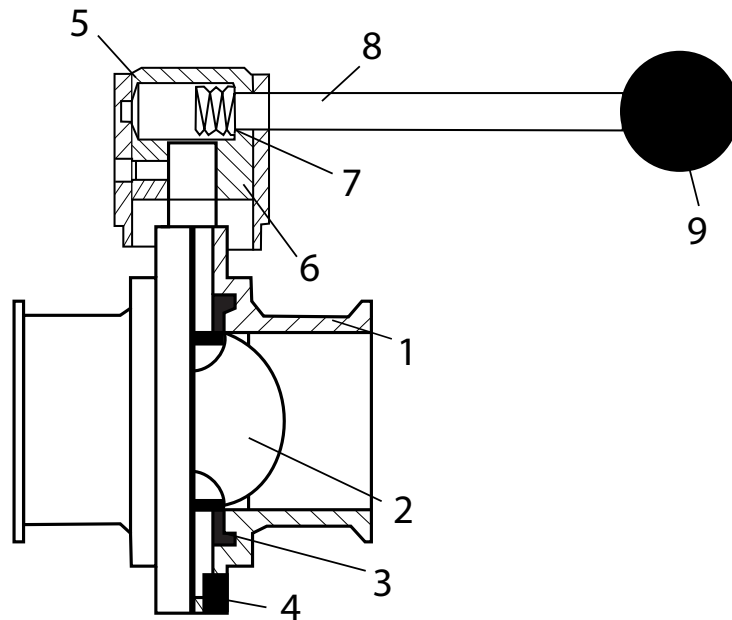


SHARPE® VALVES



SERIES 15
SANITARY BUTTERFLY VALVE

**SERIES 15
SANITARY BUTTERFLY**

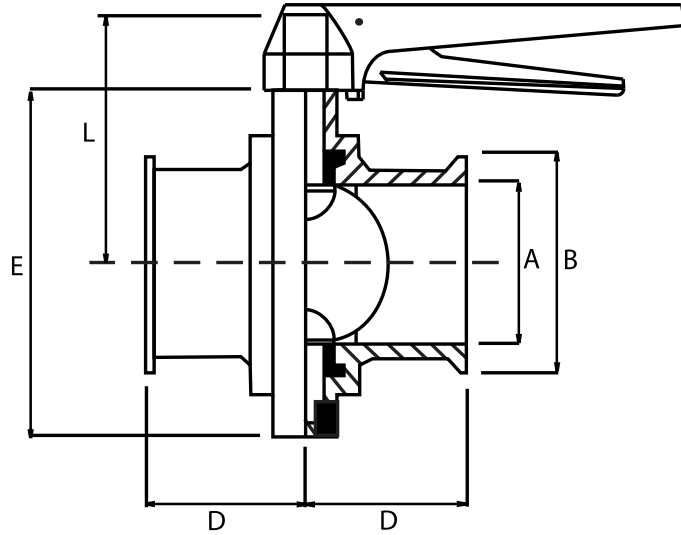


PART NO.	PART	QTY.	MATERIAL
1	Body	2	304 Stainless Steel / 316L Stainless Steel
2	Disc & Stem	1	304 Stainless Steel / 316L Stainless Steel
3	Seat	1	EPDM / Silicone / Viton®
4	Bolts	4/6	304 Stainless Steel
5	Handle Housing	1	304 Stainless Steel
6	Sleeve	1	304 Stainless Steel
7	Spring	1	304 Stainless Steel
8	Handle	1	304 Stainless Steel
9	Knob	1	Plastic

* Valve shown with 4 position pull handle.

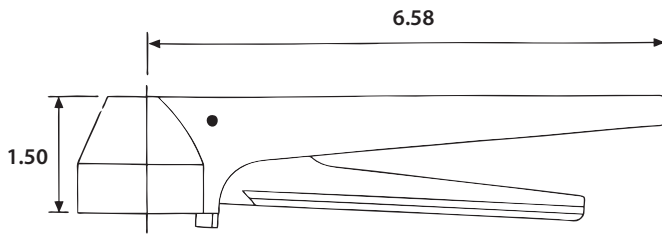
- All wetted parts approved for use in food and beverage processing.
 - All wetted parts polished to 180 grit.
 - Standard material 304 Stainless Steel
Option material 316L Stainless Steel
 - Variety of sanitary end connections.
Tri-Clamp® Butt weld end (short & extended), male threaded.
 - Choice of seats, EPDM, Silicone or Viton®.
 - Valves inspected and tested to API 598.
-

SERIES 15 DIMENSIONS

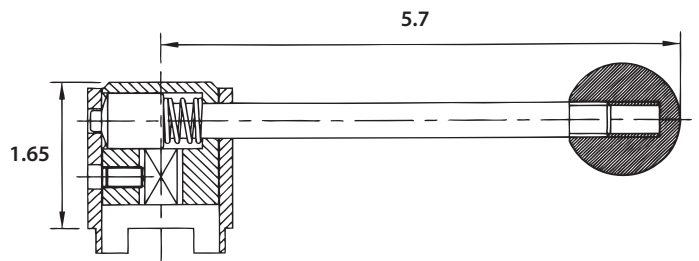


Nominal Tube Size Inches	A In	B In	D In	E In	L In
1	0.87	1.984	1.75	3.11	2.40
1-1/2	1.37	1.984	1.75	3.35	2.53
2	1.87	2.527	1.87	4.13	2.93
2-1/2	2.37	3.047	1.91	4.41	3.06
3	2.84	3.579	2.03	4.92	3.34
4	3.83	4.681	2.03	6.18	4.00
6	5.76	6.566	2.81	8.66	6.06

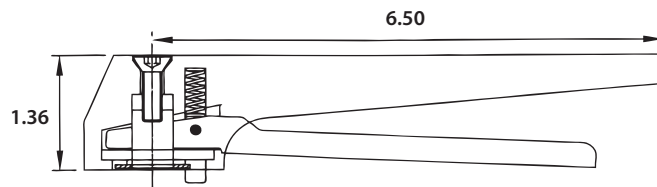
12 POSITION GRIPPER HANDLE

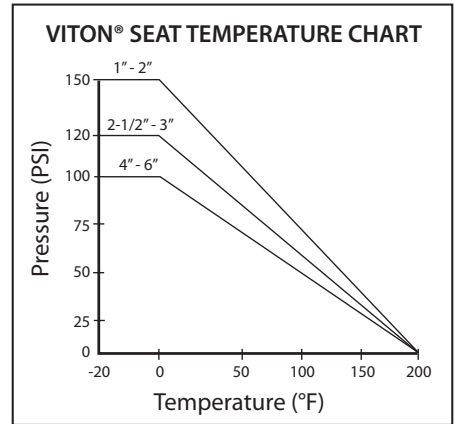
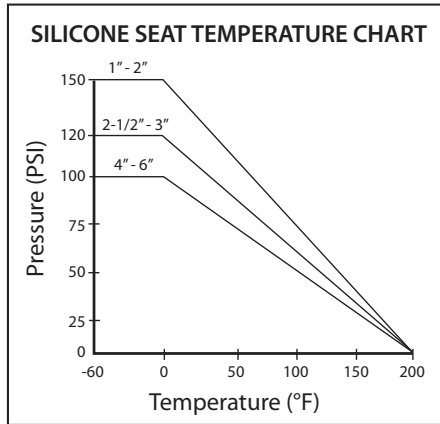
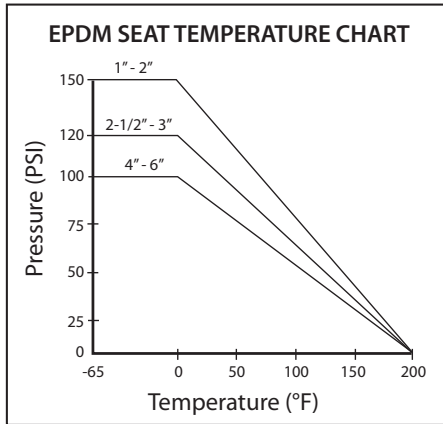


4 POSITION PULL HANDLE



2 POSITION GRIPPER HANDLE

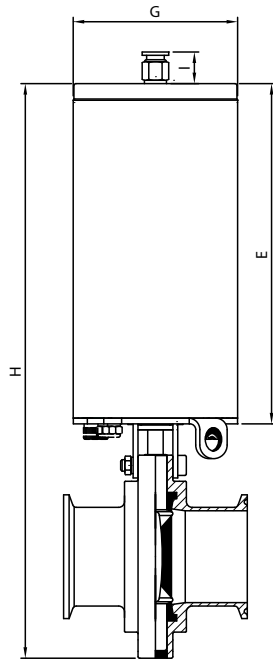




VALVE SIZE	BREAK AWAY TORQUE IN / LBS
1"	130
1-1/2"	130
2"	175
2-1/2"	220
3"	265
4"	310
6"	400

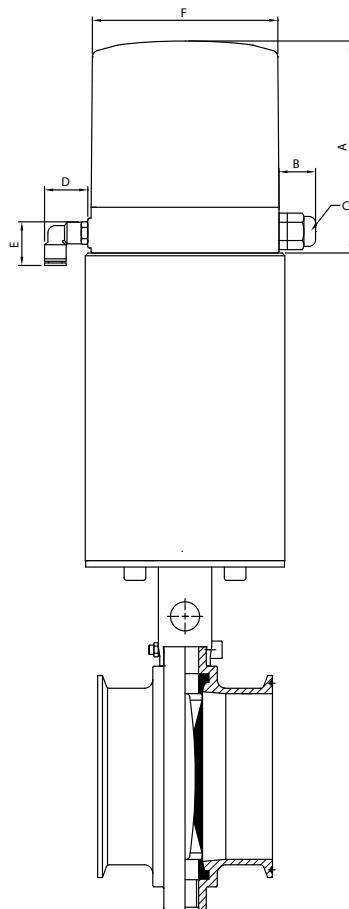
**SERIES 15
SANITARY BUTTERFLY**

ACTUATOR AND LIMIT SWITCH BOX



SPC 103				
Size	E In	G In	H In	I In
1"	7	3.35	10.6	0.63
1-1/2"	7	3.35	10.8	0.63
2"	7	3.35	11.6	0.63
2-1/2"	7	3.35	11.9	0.63
3"	7	3.35	12.4	0.63

SPC 104				
Size	E In	G In	H In	I In
4"	7.4	4.73	15.3	0.63
6"	7.4	4.73	17.8	0.63



LIMIT SWITCH BOX

LSMS 412

120V Solenoid with mechanical limit switch

LSPS 42D

24VDC Solenoid with proximity limit switch

SPC 103 - 406					
A In	B In	C In	D In	E In	F In
5.02	0.95	PG9	1	1	4.6

SHARPE® VALVES

HOW TO ORDER

VALVE SIZE	VALVE SERIES	BODY MATERIALS	SEATS	END CONNECTION	SURFACE FINISH	ACTUATOR
1" 1-1/2" 2" 2-1/2" 3" 4" 6"	15	4 = 304 Stainless Steel 6 = 316L Stainless Steel	E = EPDM S = Silicone V = Viton®	CC = Tri Clamps® BB = Buttweld EE = Extended Buttweld MM = Male Threaded CB = Clamp x Buttweld	1 = 20 Ra 2* = 25 Ra 4 = 15 Ra 5 = 20 Ra Electro Polish	1 = 12 Position Handle 2 = 2 Position Handle 3 = Stainless Steel Handle (12 Position) 4 = 4 Position Pull Handle 5 = Bare Stem 6 = Gear Operator 7 = SPC 103DA (1"-3") 8 = SPC 103SR (1"-3") 9 = SPC 103 DA&LSMS 412 (1"-3") 10 = SPC 103 SR&LSMS 412 (1"-3") 11 = SPC 103 DA&LSPS 42D (1"-3") 12 = SPC 103 SR&LSPS 42D (1"-3") 13 = SPC 406 DA (4"-6") 14 = SPC 406 SR (4"-6") 15 = SPC 406 DA&LSMS 412 (4"-6") 16 = SPC 406 SR&LSMS (4"-6") 17 = SPC 406 DA&LSPS 42D (4"-6") 18 = SPC 406 SR&LSPS 42D (4"-6")

1" 15 4 E CC 2 1

* Standard Finish = 2

Tri Clamp® is a registered trademark of Alfa Laval, Inc.
Viton® is a registered trademark of E. I. DuPont.

SHARPE® VALVES
A Division of Smith-Cooper International, LLC

**Toll-Free 1-877-7SHARPE
(877) 774-2773**

Fax: (708) 562-9250

E-Mail: info@sharpevalves.com

www.sharpevalves.com

1260 Garnet Drive

Northlake, Illinois 60164 U.S.A.