

Series 20276

Swing Check Valve

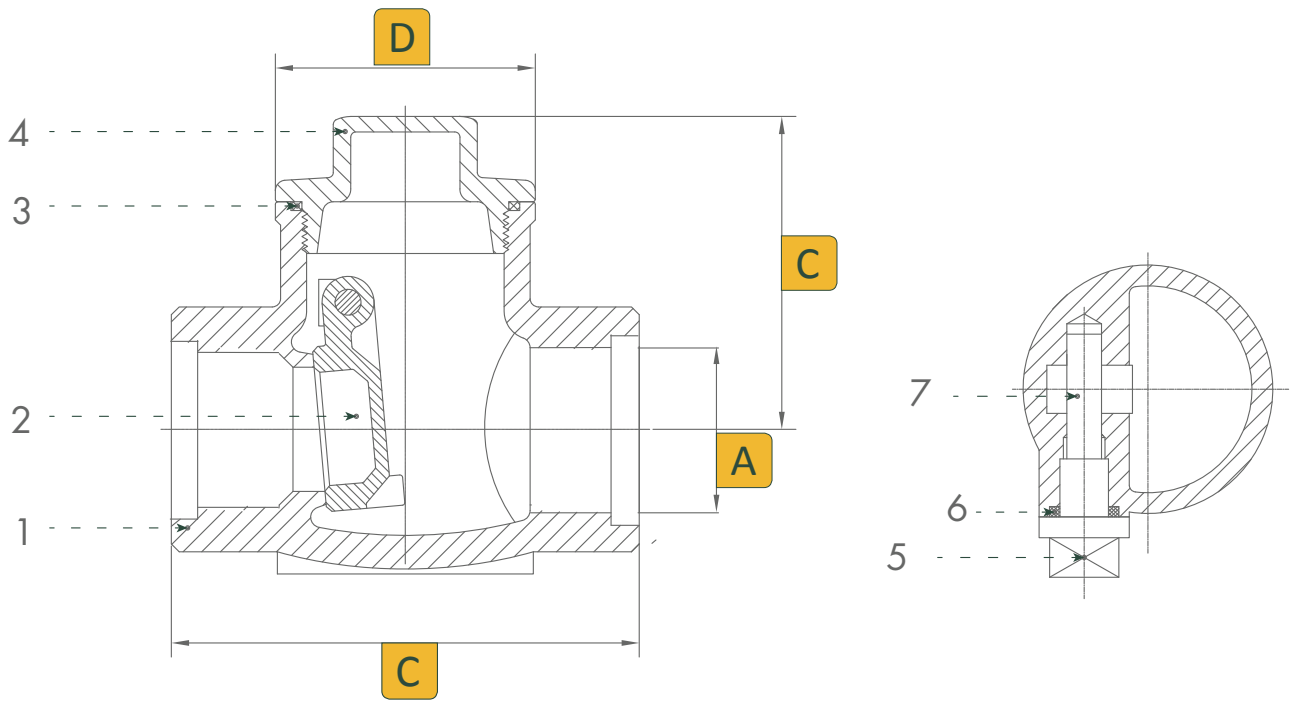
Features

- 200 WOG @ 350 °F
- 316 stainless steel
- Screwed cap
- Threaded or socket weld ends



Valves, Automation & Controls





Dimensions (Inches)

Size	A	B	C	D
1/4	0.39	2.56	1.89	0.95
3/8	0.49	2.56	1.89	0.95
1/2	0.59	2.56	1.89	0.95
3/4	0.79	2.95	2.10	1.10
1	0.98	3.54	2.22	1.42
1-1/4	1.26	4.13	2.81	1.58
1-1/2	1.50	4.72	2.90	1.97
2	1.97	5.51	3.20	2.12
2-1/2	2.48	6.14	3.56	2.95
3	2.99	7.40	3.96	3.35

No.	Part Name	Qty	Material
1	Body	1	316 Stainless Steel
2	Disc	1	316 Stainless Steel
3	Seal	1	PTFE
4	Bonnet	1	316 Stainless Steel
5	Plug	1	316 Stainless Steel
6	Seal	1	PTFE
7	Pin	1	316 Stainless Steel

Ordering

Fig: 1 - 20267 - SW
Description: 1" - Series 20276 - Socket Weld

Size	Series	Ends
1/4	20276	TE Threaded
3/8		SW Socket Weld
1/2		
3/4		
1		
1-1/4		
1-1/2		
2		
2-1/2		
3		

Due to continuous development of our product range, we reserve the right to change the dimensions and information for this product as required.