

Series 50

Flanged Full Port Ball Valve

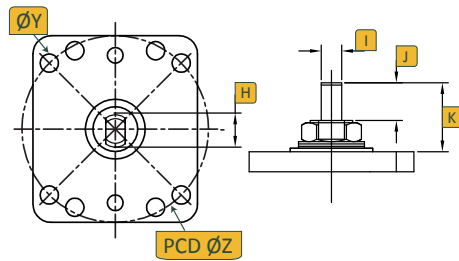
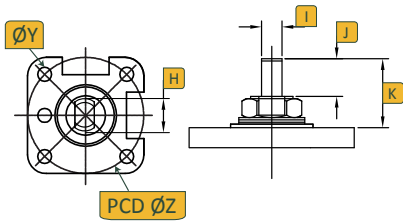
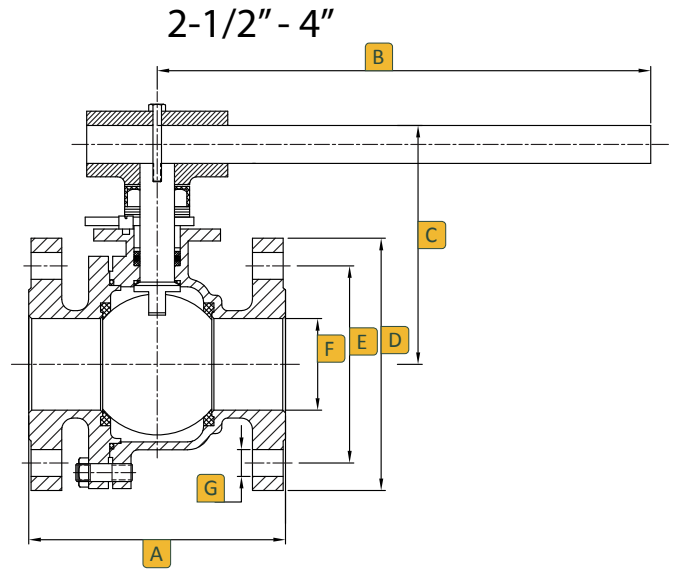
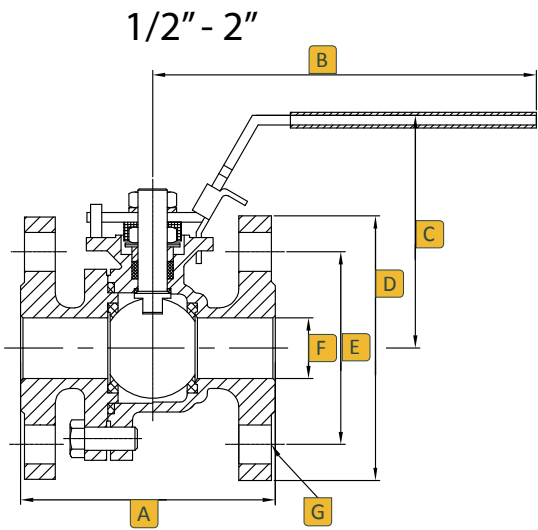


Valves, Automation & Controls

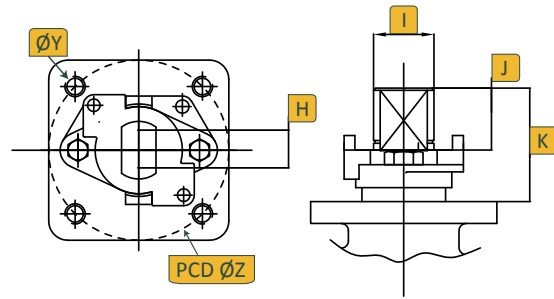
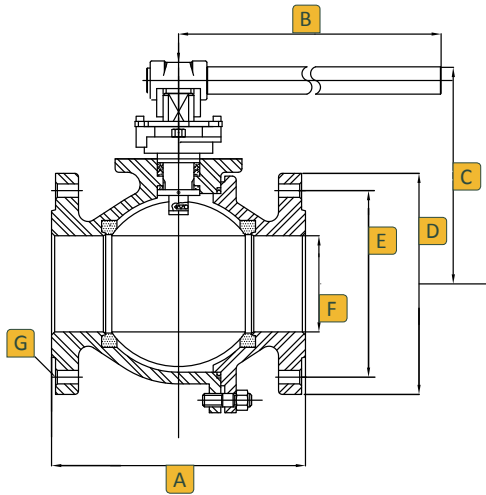
Features

- Full port
- Class 150
- Locking device
- Blow-out proof stem
- NACE MR-0175
- ISO 5211 mounting pad
- Wall thickness ASME B16.34
- Face to face dimensions ASME B16.10
- Flange dimensions ASME B16.5
- Pressure test B16.34 (Optional API 598)

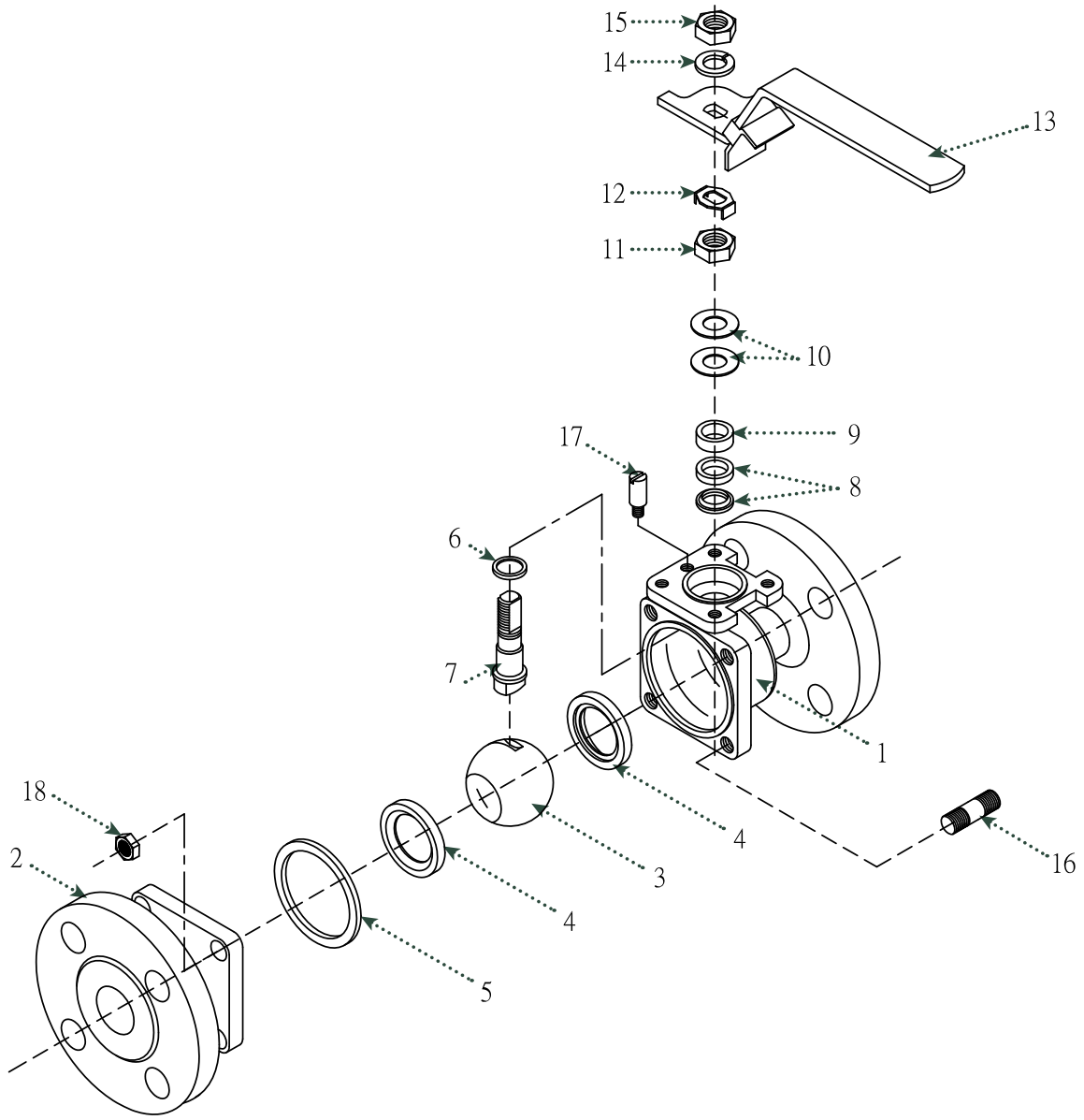




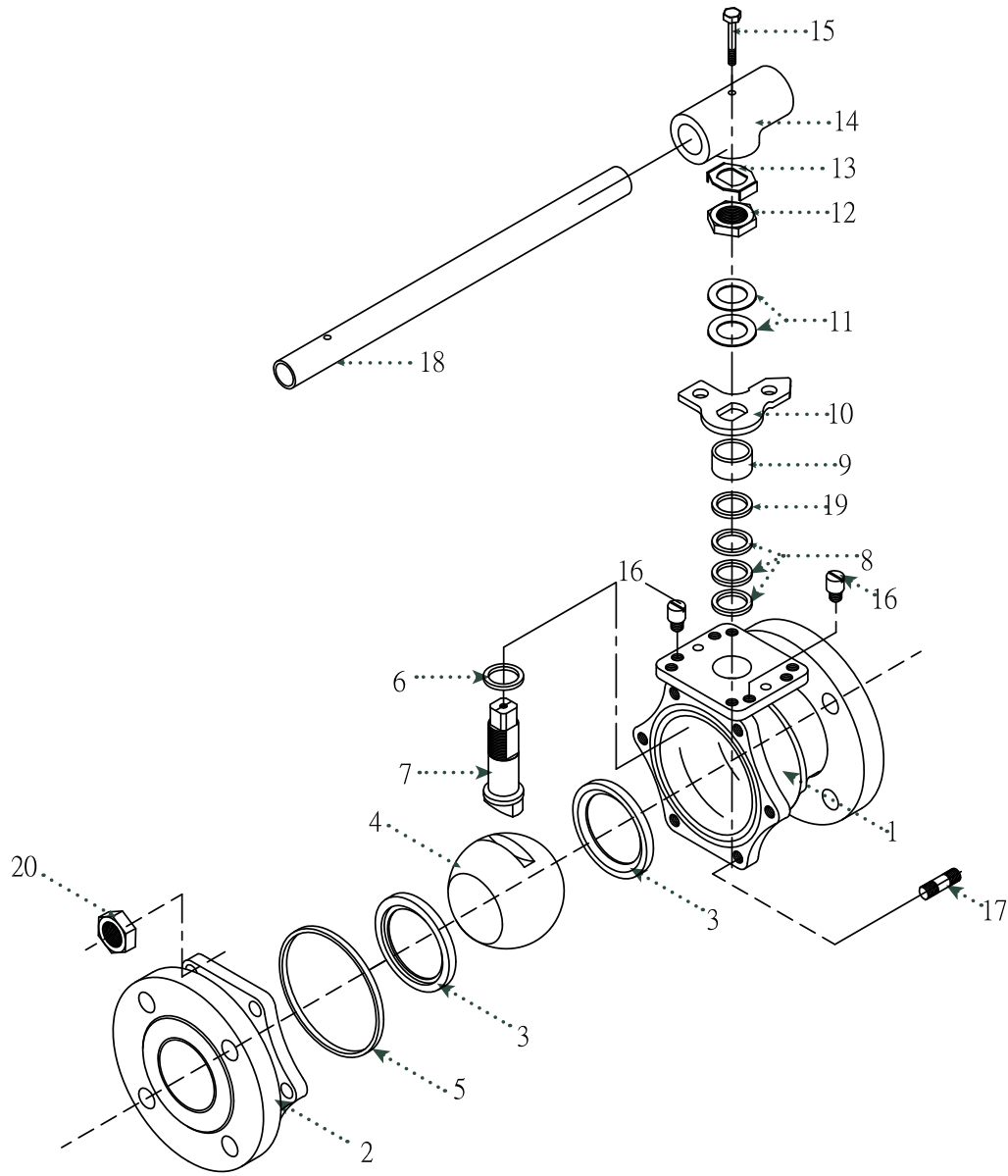
6" & 8"



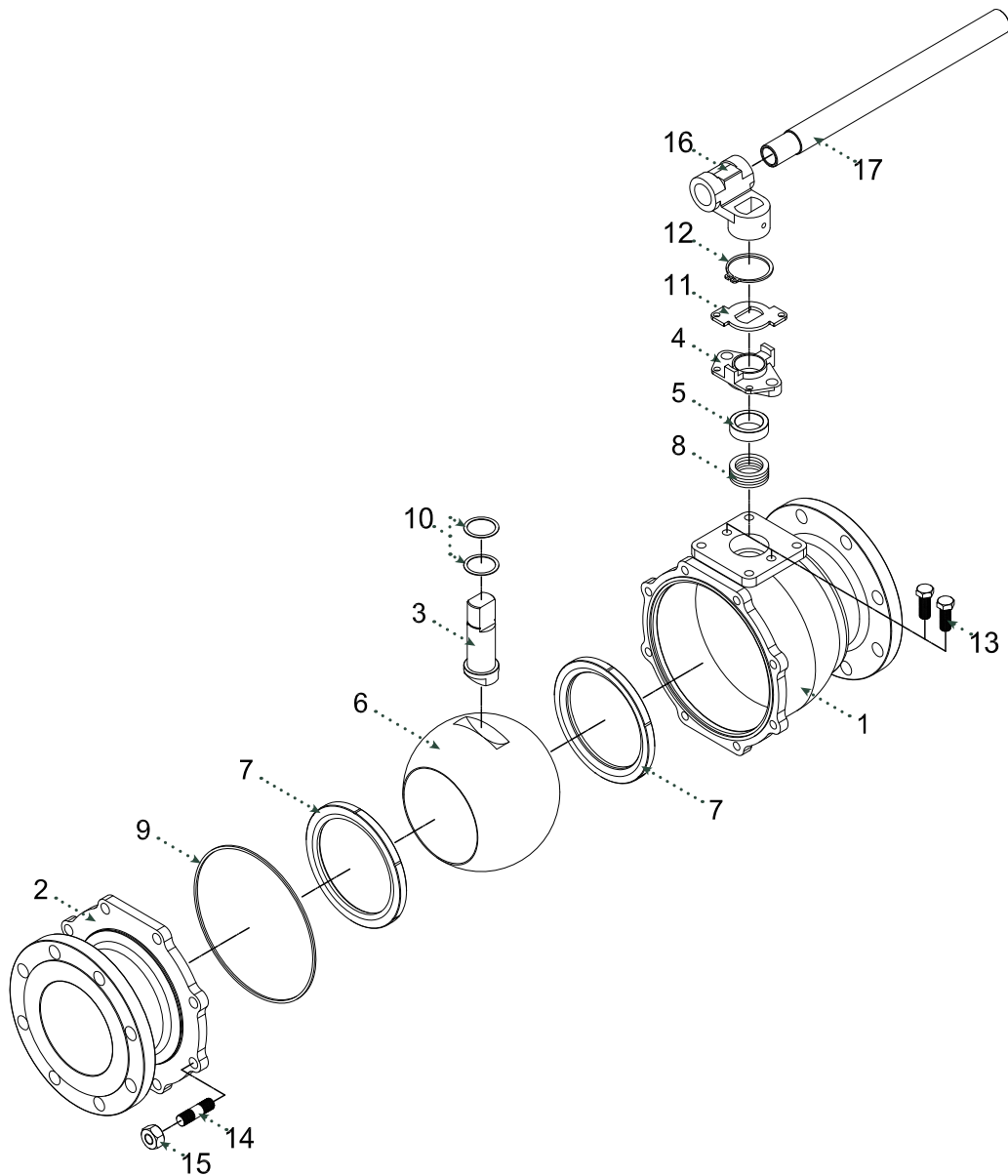
Size	A	B	C	D	E	F	G	H	I	J	K	ØY	ØZ
1/2	4.25	4.75	3.60	3.50	2.38	0.59	40-630	3/8-24 UNF	0.22	0.39	0.73	M6	1.969
3/4	4.62	4.75	3.75	3.88	2.75	0.787	40-630	3/8-24 UNF	0.22	0.34	0.70	M6	1.969
1	5.00	6.22	3.75	4.25	3.12	0.984	40-630	7/16-20 UNF	0.30	0.60	0.85	M6	1.969
1-1/2	6.50	9.00	4.50	5.00	3.88	1.496	40-630	9/16-18 UNF	0.35	0.68	1.18	M8	2.756
2	7.00	9.00	4.80	6.00	4.75	1.969	40-748	9/16-18 UNF	0.35	0.65	1.18	M8	2.756
2-1/2	7.48	13.74	6.70	7.01	5.50	2.56	40-750	1-14 UNS	0.75	0.66	1.87	M10	4.02
3	7.99	13.74	7.00	7.48	6.00	3.15	40-750	1-14 UNS	0.75	0.69	1.87	M10	4.02
4	8.98	13.74	7.70	9.02	7.50	3.94	40-750	1-14 UNS	0.75	0.69	1.91	M10	4.02
6	15.50	25.59	10.50	10.98	8.50	6.00	80-875	1.72	1.02	1.46	3.58	M12	4.92
8	18.00	55.12	13.38	13.50	10.63	8.00	80-875	1.72	1.02	1.46	3.58	M12	4.92



No.	Part Name	Qty	Material
1	Body	1	316 Stainless Steel, ASTM A351 or Carbon Steel, ASTM A216 WCB
2	Body Ends	1	316 Stainless Steel, ASTM A351 or Carbon Steel, ASTM A216 WCB
3	Ball	1	316 Stainless Steel, ASTM A351
4	Seat	2	PTFE, RTFE, or TFM
5	Body Seal	1	RTFE, PTFE or MG1241
6	Thrust Washer	1	RTFE, PTFE or MG1241
7	Stem	1	316 Stainless Steel
8	Stem Seal	2	RTFE, PTFE or MG1241
9	Gland	1	304 Stainless Steel
10	Belleville Washer	2	301 Stainless Steel
11	Packing Nut	1	304 Stainless Steel
12	Lock Tab	1	304 Stainless Steel
13	Handle	1	304 Stainless Steel
14	Handle Washer	1	304 Stainless Steel
15	Stem Nut	1	304 Stainless Steel
16	Body Bolts	4	304 Stainless Steel
17	Stop Pin	1	304 Stainless Steel
18	Body Nuts	4	304 Stainless Steel



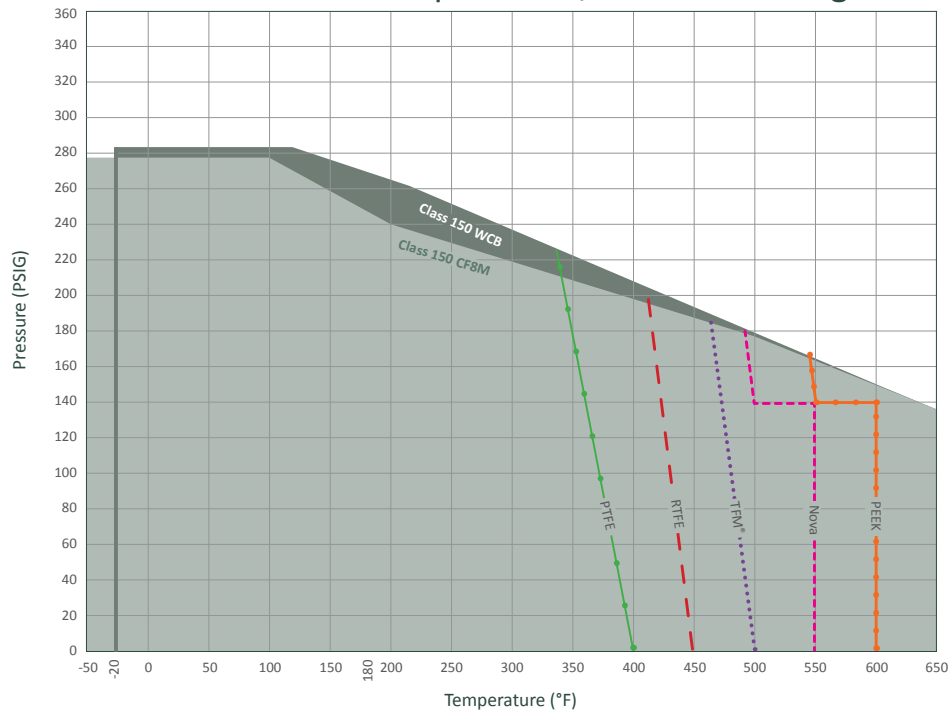
No.	Part Name	Qty	Material
1	Body	1	316 Stainless Steel, ASTM A351 or Carbon Steel, ASTM A216 WCB
2	Body Ends	1	316 Stainless Steel, ASTM A351 or Carbon Steel, ASTM A216 WCB
3	Seat	2	PTFE, RTFE, or TFM
4	Ball	1	316 Stainless Steel
5	Body Seal	1	RTFE, PTFE or MG1241
6	Thrust Washer	1	RTFE, PTFE or MG1241
7	Stem	1	316 Stainless Steel
8	Stem Seal	2	RTFE, PTFE or MG1241
9	Gland	1	304 Stainless Steel
10	Stopper	1	304 Stainless Steel
11	Belleville Washer	2	301 Stainless Steel
12	Packing Nut	1	304 Stainless Steel
13	Lock Tab	1	304 Stainless Steel
14	Wrench Block	1	304 Stainless Steel
15	Hex Head Bolt	1	304 Stainless Steel
16	Stop Pin	2	304 Stainless Steel
17	Body Bolts	6/8	304 Stainless Steel
18	Handle	1	304 Stainless Steel
19	Flat Washer	1	304 Stainless Steel
20	Body Bolts	6/8	304 Stainless Steel



No.	Part Name	Qty	Material
1	Body	1	316 Stainless Steel, ASTM A351 or Carbon Steel, ASTM A216 WCB
2	Body Ends	1	316 Stainless Steel, ASTM A351 or Carbon Steel, ASTM A216 WCB
3	Stem	1	316 Stainless Steel
4	Gland	1	316 Stainless Steel, ASTM A351 or Carbon Steel, ASTM A216 WCB
5	Sleeve	1	304 Stainless Steel or Carbon Steel
6	Ball	1	316 Stainless Steel
7	Seat	2	RTFE
8	Packing	4	PTFE
9	Gasket	1	PTFE
10	Thrust Washer	2	PTFE
11	Travel Stopper	1	304 Stainless Steel or Zinc Plated Carbon Steel
12	Snap Ring	1	Nickel Plated Carbon Steel
13	Gland Bolt	2	304 Stainless Steel or Carbon Steel
14	Stud	8	Stainless Steel or Carbon Steel
15	Nut	8	Stainless Steel or Carbon Steel
16	Junction Head	1	S15C
17	Pipe Grip	1	FCD

Size	CV	Port	Weight LB
1/2	26	0.59	4
3/4	50	0.78	6
1	94	1.00	8
1-1/2	260	1.50	15
2	480	2.00	20
2-1/2	750	2.55	36
3	1300	3.00	45
4	2300	4.00	75
6	5400	6.00	135
8	10000	7.88	290

Class 150 Temperature / Pressure Rating



Ordering

Fig: 1/2 - 50 - 11 - 6 - N
Description: 1/2" - 5011 - 316 Body - Nova Seat

Size	Series	Class	Body	Seat	Options	
1/2	50	11	150#	2 Alloy 20	R RTFE	X Oxygen Service
3/4				3 Monel	N Nova	OH Oval Handle
1				4 Carbon Steel	T PTFE	F Fugitive Emissions, Certified ANSI 593.00.01
1-1/2				5 Hastelloy C	P PEEK	E Extended Stem
2				6 Stainless Steel	M TFM	L Lockable Extended Stem
2-1/2						D Leak Detection Stem
3						GO Gear Operator
4						7 17-4PH Stem
6						A Nace
8						