

# Series 58B74

## 1-Piece Ball Valve



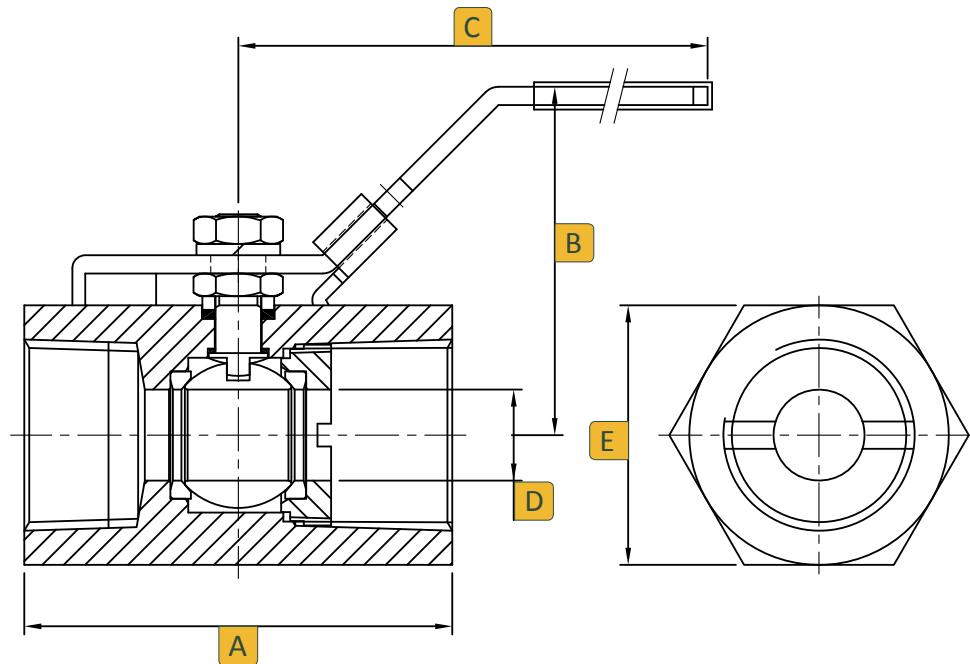
Valves, Automation & Controls

### Features

- Standard port
- 2000 psi
- 150 WSP saturated steam rating
- NACE MR-0175
- Locking device
- Blowout proof stem



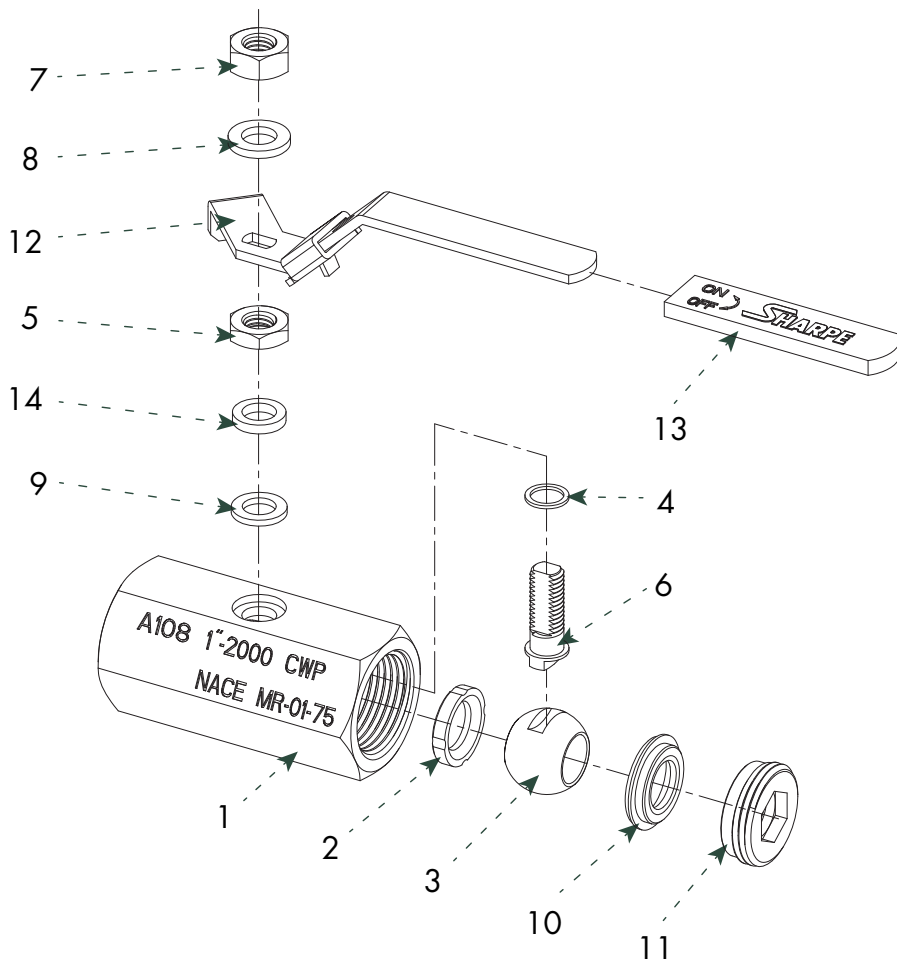
### Dimensions



Dimensions (Inches)

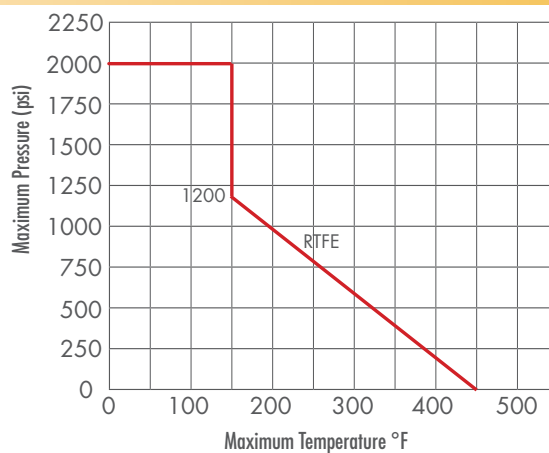
Size	A	B	C	D	E
1/4	1.73	1.24	2.76	0.20	0.75
3/8	1.89	1.28	3.15	0.28	0.83
1/2	2.44	2.22	4.13	0.35	1.14
3/4	2.76	2.34	4.13	0.49	1.38
1	3.39	2.17	4.45	0.59	1.61
1-1/4	3.70	2.99	5.71	0.79	2.24
1-1/2	4.02	3.07	5.71	0.98	2.24
2	4.49	3.27	7.09	1.26	2.89

No.	Part Name	Qty	Material
1	Body	1	Carbon Steel ASTM A108
2	Seat	2	RTFE
3	Ball	1	304 Stainless Steel ASTM A351 CF8
4	Thrust Washer	1	PTFE
5	Packing Nut	1	304 Stainless Steel
6	Stem	1	304 Stainless Steel
7	Handle Nut	1	Zinc Platted Steel
8	Handle Washer	1	Zinc Platted Steel
9	Stem Packing	1	PTFE
10	Gasket	1	PTFE
11	Retainer	1	Carbon Steel ASTM A108
12	Handle	1	Zing Platted Steel
13	Handle Cover	1	PVC
14	Gland	1	304 Stainless Steel



Technical Information

Size	Weight
1/4	0.2
3/8	0.3
1/2	0.7
3/4	1.0
1	1.5
1-1/4	3.4
1-1/2	3.2
2	5.9



Ordering

Fig: 1/2 - 58B7 - 4  
Description: 1/2" - 58B7 - Carbon Steel Body

Size	Series	Body	Option
1/4	58B7	4 Carbon Steel	OH Oval Handle
3/8			
1/2			
3/4			
1			
1-1/4			
1-1/2			
2			

Due to continuous development of our product range, we reserve the right to change the dimensions and information for this product as required.