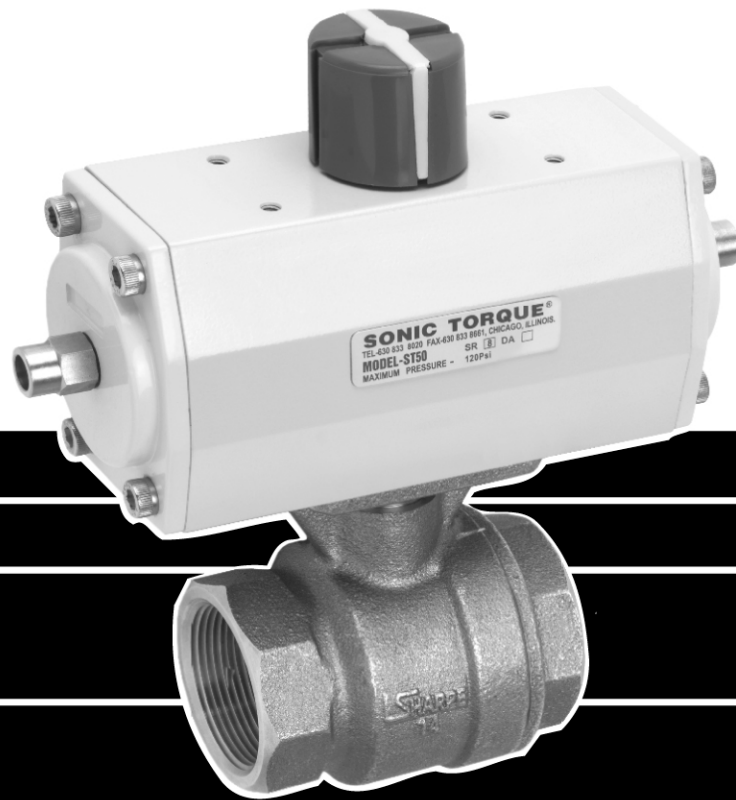


# SHARPE® VALVES

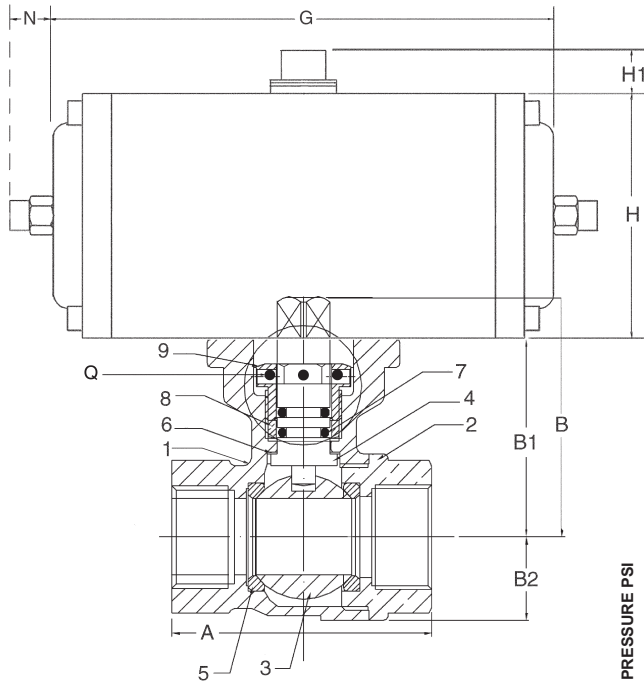
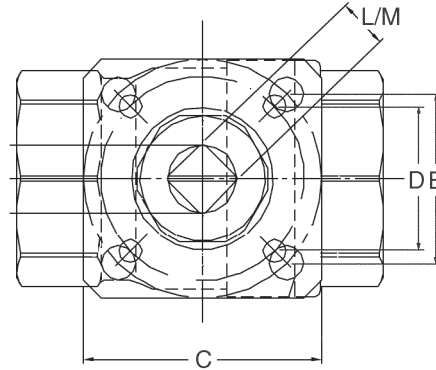
---



**SERIES 14  
BRONZE FULL PORT  
DIR-ACT® BALL VALVES**

# SERIES 14 BRONZE FULL PORT DIR-ACT® BALL VALVE

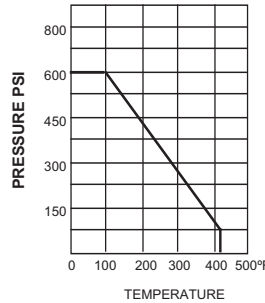
IN SERVICE ADJUSTABLE STEM PACKING  
 (US PATENT NO. 6,446,935 B1)  
 INTEGRAL MOUNTING PAD  
 FULL PORT  
 STAINLESS STEEL STEM  
 BLOW-OUT PROOF STEM



## VALVE DIMENSIONS

SIZE	A	B	B1	B2	C	D	E	L/M	Q
1/4"	2.50	1.96	1.65	1.71	1.65	1.00	1.16	0.35	9/64
3/8"	2.50	1.96	1.65	1.71	1.65	1.00	1.16	0.35	9/64
1/2"	2.50	1.96	1.65	1.71	1.65	1.00	1.16	0.35	9/64
3/4"	2.50	2.35	1.94	0.82	1.65	1.16	1.39	0.35	9/64
1"	3.15	2.55	2.07	1.02	1.97	1.16	1.39	0.43	9/64
1-1/4"	3.60	2.65	2.28	1.18	1.97	1.16	1.39	0.43	9/64
1-1/2"	3.95	3.45	2.80	1.42	2.76	1.39	1.96	0.43	9/64
2"	4.85	3.87	3.20	1.75	2.76	1.39	1.96	0.43	9/64

\*See Dimensions



## ACTUATOR DIMENSIONS

	G	N	H	H1	W*
ST32	5.10	0.72	2.60	0.79	2.50
ST40	5.55	0.72	3.10	0.79	2.82
ST50	6.65	0.72	3.10	0.79	2.82
ST63	7.75	0.72	3.70	0.79	3.40
ST80	8.30	0.72	4.30	0.79	4.03

\* ACTUATOR WIDTH

## VALVE PARTS AND IDENTIFICATION

PART NO.	PART	QTY.	MATERIAL
1	Body	1	Bronze C84400
2	End Cap	1	Bronze C84400
3	Ball	1	Brass Chrome Plated
4	Stem	1	316 Stainless Steel
5	Seat	2	TFE
6	Thrust Washer	1	TFE
7	O-Ring	2	NBR
8	Gland packing	1	TFE
9	McNut (Packing Nut)	1	Brass

	CV* DATA	WEIGHT LBS.	TORQUE IN./LBS.
1/4"	7	0.90	25
3/8"	7	0.90	25
1/2"	21	1.00	35
3/4"	33	1.30	45
1"	55	1.75	55
1-1/4"	90	2.60	100
1-1/2"	150	4.30	140
2"	215	6.50	180

\* U.S. Gallon per minute

## HOW TO ORDER

VALVE SIZE	VALVE SERIES	ACTUATOR
1/4"	14	ST32 DA or SR
3/8"		ST40 DA or SR
1/2"		ST50 DA or SR
3/4"		ST63 DA or SR
1"		ST80 DA or SR
1-1/4"		
1-1/2"		
2"		

**3/4 14 ST32DA**

# SHARPE® VALVES

A Division of Smith-Cooper International, LLC

Toll Free: 1-877-7SHARPE

(877) 774-2773

Fax: (708) 562-9250

Email: info@sharpevalves.com

www.sharpevalves.com

1260 Garnet Drive

Northlake, Illinois 60164 U.S.A.