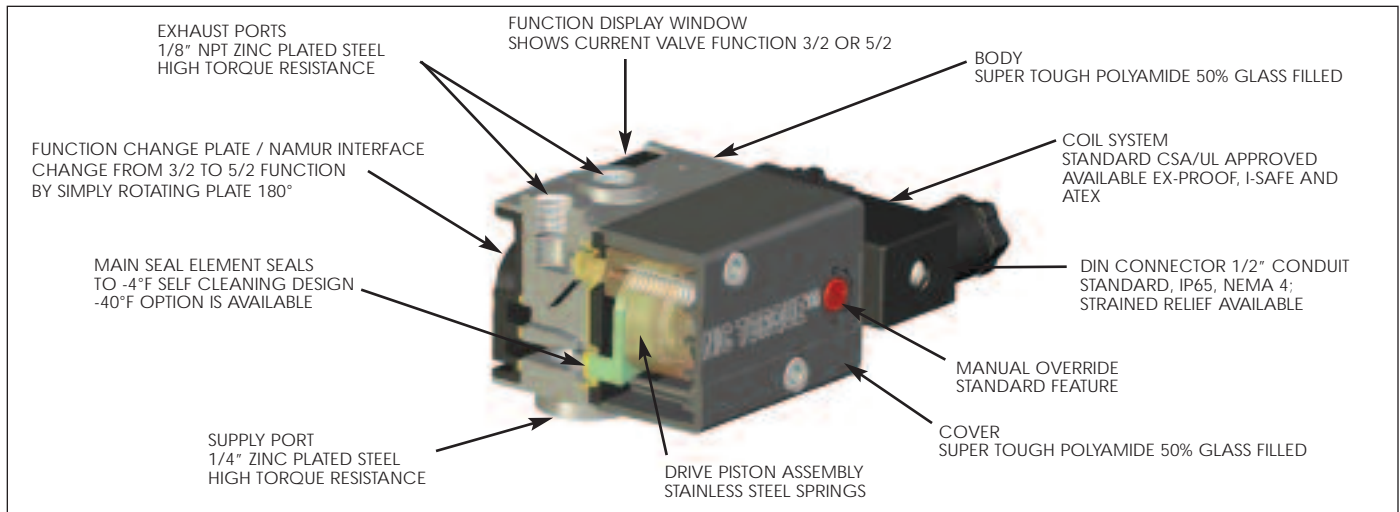


# SONIC TORQUE®



## SOLENOIDS



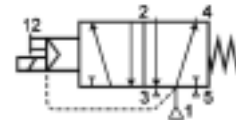
## FEATURES

- Standard NEMA 4 coils are certified to CSA, UL and CE standard.
- Explosion-Proof series coils are CSA certified and FM approved for Hazardous locations
  - Class I Zone I
  - Ex m II T4, AEx m II
  - Class I; Div I Groups A,B,C and D
  - Class II, Groups E, F and G
  - Class III
- Intrinsically Safe series coils are CSA and CE certified, FM and PTB approved for Hazardous locations
  - II 2G EEx ia IIC T6 or T4 approved
  - IEx ia IIC T6 or T4 approved
  - FM IS Class I Group A,B,C and D; Class II Group E, F and G; Class III
  - Barrier not included
- ATEX series coils are CE certified and approved by PTB
  - II G/D EEx m II T6, T5, T4 approved
  - IEC Ex m II T6, T5, T4
- Robust, Reliable and Compact design provides bubble-tight shut-off for millions of cycles.
- Corrosion resistant construction with standard manual override.
- Direct mounting conforms to NAMUR VDI/VDE 3845 standards.
- High Flow / Fast Response, Actual figures: .8 Cv, 20 ms ON, 40 ms OFF
- Pressure 35-120 psi

- 5/2 and 3/2 function selectable via 180° rotation of single adapter plate.
- Exhaust feedback - provides spring chamber with instrument air preventing corrosion.
- Operating temperature range -4°F to +140°F (-20°C to +60°C)

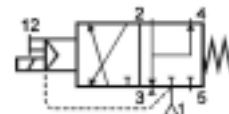
## FUNCTION

# 5/2



5/2 configuration for double-acting actuators. De-energized state, with supply to port 1, flow is directed to port 4 and port 2 is vented to atmosphere via port 3.

# 3/2



3/2 configuration for spring return actuators. De-energized state, supply port 1 is blocked and port 2 exhaust is fed back to port 4 with excess vented to atmosphere via port 3.

## MEDIA

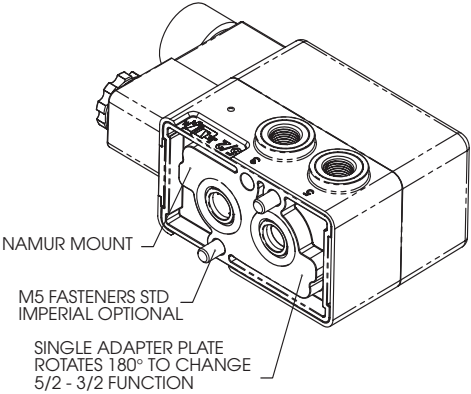
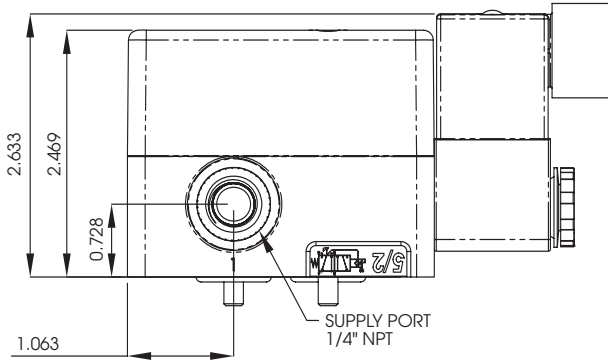
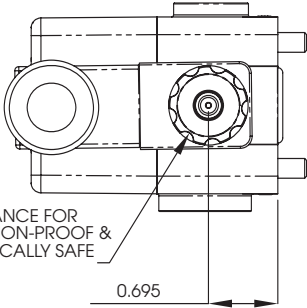
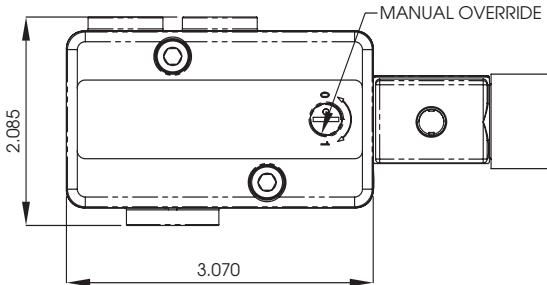
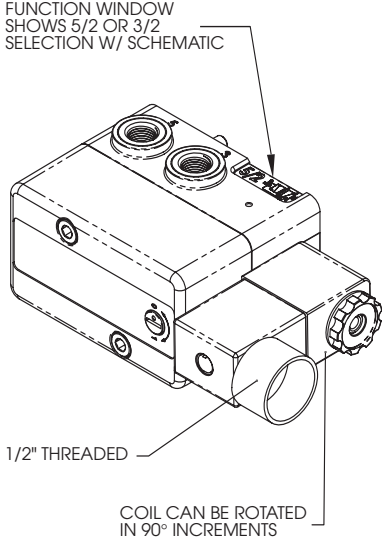
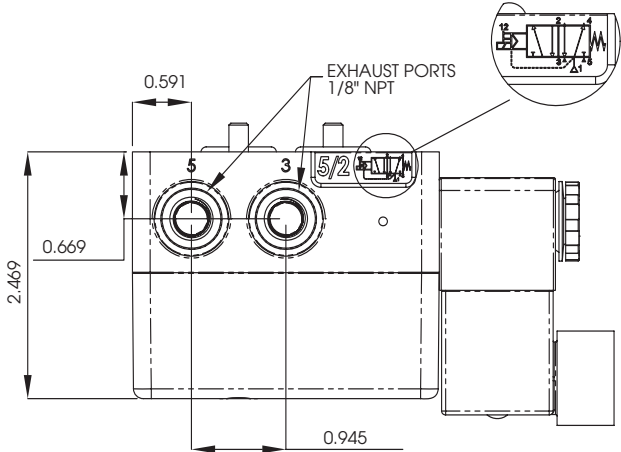
- Compressed air, lubricated or non-lubricated
- Instrument air
- Nitrogen

## APPLICATIONS

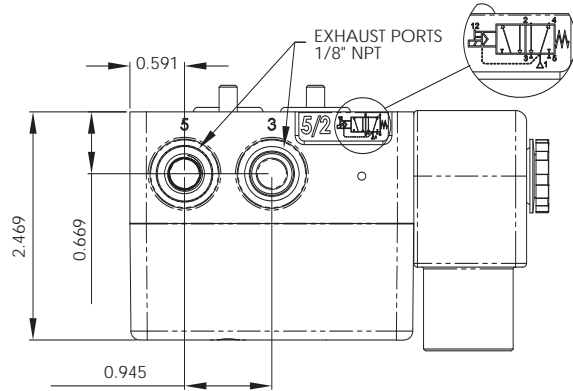
- Control of quarter-turn and linear process valve actuators
- Control of diaphragm valves
- General automation



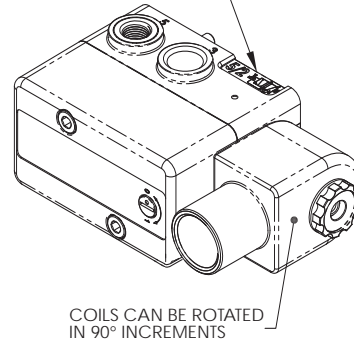
# NEMA 4/4X



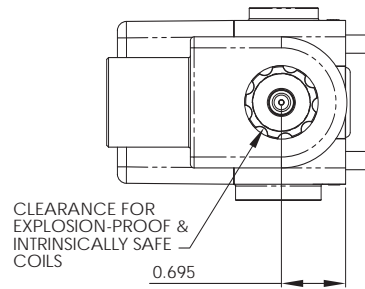
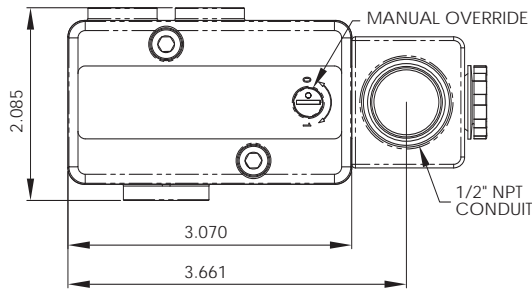
# NEMA 7/9



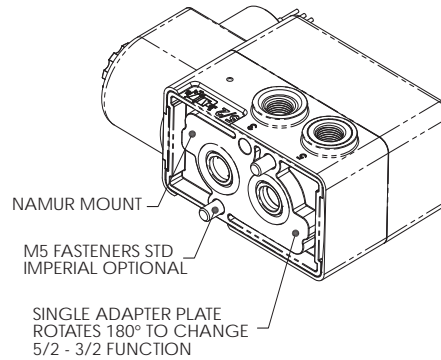
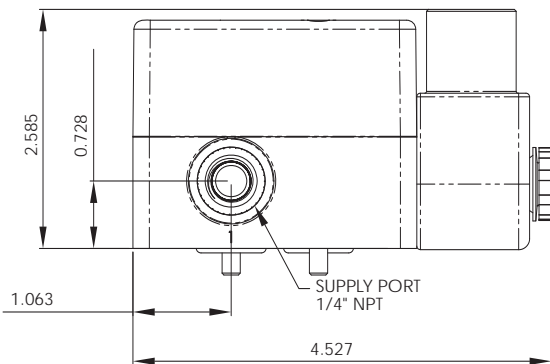
FUNCTION WINDOW SHOWS 5/2 OR 3/2 SELECTION W/ SCHEMATIC



COILS CAN BE ROTATED IN 90° INCREMENTS



CLEARANCE FOR EXPLOSION-PROOF & INTRINSICALLY SAFE COILS



NAMUR MOUNT

M5 FASTENERS STD IMPERIAL OPTIONAL

SINGLE ADAPTER PLATE ROTATES 180° TO CHANGE 5/2 - 3/2 FUNCTION

## HOW TO ORDER

MODEL	RATING	VOLTAGE
SOL	4 = NEMA 4 7 = NEMA 7/9 A = ATEX	2A = 24 VAC 2D = 24 VDC 12 = 120 VAC 22 = 220 VAC

**SOL 4 2A**



A Division of Smith-Cooper International, LLC

**(708) 409-4150**

Fax: (708) 409-4151

Email: [info@sonictorque.com](mailto:info@sonictorque.com)

[www.sonictorque.com](http://www.sonictorque.com)

1260 Garnet Drive

Northlake, Illinois 60164 U.S.A.