

SERIES AUM

NEOPRENE NPT END CONNECTION DOUBLE SPHERE CONNECTORS

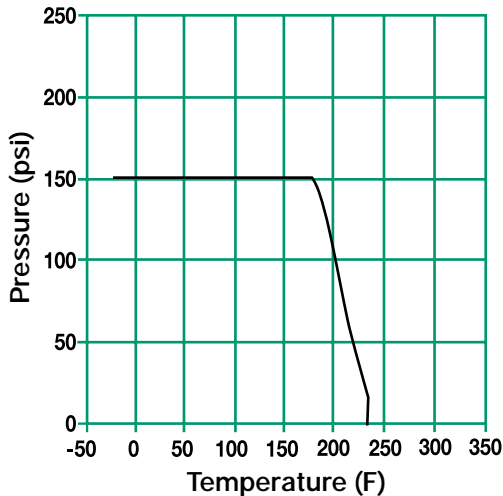
Pressures to 150 PSIG (10.34 barg)
Temperatures to 230°F (110°C)

APPLICATIONS

- Process Industry
- Weak Acids
- Alkalies
- Compressed Air
- Pulp & Paper
- Oil & Gas
- Water & Waste
- Pump suction & discharge
- Chemical lines

- For connection pipes and equipment where threaded union ends are preferred
- Accommodates thermal movement and misalignment
- Four way greater movements provide high level of installation flexibility.
- Precision molded of synthetic rubber reinforced with nylon cord.
- Excellent ability to absorb vibrations, sounds and withstand high pressures.
- Easy to install.

PRESSURE/TEMPERATURE RATINGS



MODELS

- AUM - NPT Connection

APPLICABLE CODES

- ASME/ANSI B1-20.1

Series AUM Ordering Code

Inlet Size				Dash	Model		
0	2	0	0	-	A	U	M
1	2	3	4	5	6	7	8

Inlet Size* - Position 1 - 4
 0050 - 1/2"
 0075 - 3/4"
 0100 - 1"
 0125 - 1 1/4"
 0150 - 1 1/2"
 0200 - 2"

Dash - Position 5
Model - Position 6 -8
 AUM - Twin Sphere,
 NPT, CI, Neoprene

SERIES AUM

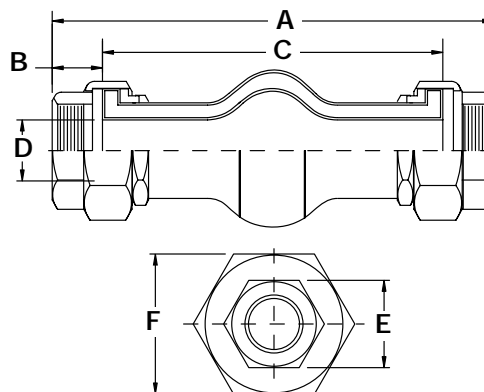
NEOPRENE NPT END CONNECTION DOUBLE SPHERE CONNECTORS

SPECIFICATION

Union End Connector body material shall be neoprene cover and tube elastomer with nylon cord fabric reinforcement. The twin sphere connector will have Cast Ductile Iron threaded union ends. The twin sphere connector shall be SSI AUM Series.

MATERIALS OF CONSTRUCTION

BodyNeoprene
Reinforcing FabricNylon Cord Fabric
WireHard Steel Wire
Threaded Union EndsCast Ductile Iron



Connections: 1/2" to 2"

Burst Pressure 570 PSIG

DIMENSIONS inches (mm) AND WEIGHTS pounds (kg)

Size	Installed Length				Travel		Allowable Movement			Dimensions						Weight
	Neutral Length	Minimum Installed	Maximum Installed	Recommended Pipe Opening	Total Compressed	Total Extended	Axial Compression	Lateral Deflection	Angular Deflections	"B" Length of Fittings	"C" Length of Rubber	"D" Connector	Inner Diameter	"E" Width of Fitting Hex Head	"F" Width of Union Hex Head	
1/2 (13)	8 (203)	7 ¹¹ / ₃₂ (187)	8 ¹ / ₈ (206)	7 ⁵ / ₁₆ (186)	7 ¹ / ₈ (181)	8 ¹ / ₂ (209)	7/8 (22)	1/4 (6)	7/8 (22)	32	29/32 (23)	6 ¹ / ₃₂ (155)	17/32 (13)	1 ¹ / ₁₆ (27)	1 ¹¹ / ₁₆ (43)	1 (0.5)
3/4 (19)	8 (203)	7 ¹¹ / ₃₂ (187)	8 ¹ / ₈ (206)	6 ¹ / ₈ (175)	7 ¹ / ₈ (181)	8 ¹ / ₂ (209)	7/8 (22)	1/4 (6)	7/8 (22)	32	1 (25)	5 ²⁹ / ₃₂ (150)	3/4 (19)	1 ¹¹ / ₃₂ (34)	1 ³ / ₃₂ (50)	1 (0.5)
1 (25)	8 (203)	7 ¹¹ / ₃₂ (187)	8 ¹ / ₈ (206)	6 ¹ / ₈ (168)	7 ¹ / ₈ (181)	8 ¹ / ₂ (209)	7/8 (22)	1/4 (6)	7/8 (22)	25	1 ³ / ₁₆ (30)	5 ¹⁷ / ₃₂ (140)	1 (25)	1 5/8 (41)	2 ¹ / ₂ (64)	2 (0.9)
1 ¹ / ₄ (32)	8 (203)	7 ¹¹ / ₃₂ (187)	8 ¹ / ₈ (206)	6 ¹ / ₈ (168)	7 ¹ / ₈ (181)	8 ¹ / ₂ (209)	7/8 (22)	1/4 (6)	7/8 (22)	25	1 ³ / ₁₆ (30)	5 ¹⁷ / ₃₂ (140)	1 ¹ / ₄ (32)	1 ³ / ₃₂ (50)	2 ²⁷ / ₃₂ (72)	3 (1.5)
1 ¹ / ₂ (38)	8 (203)	7 ¹¹ / ₃₂ (187)	8 ¹ / ₈ (206)	6 ¹ / ₈ (168)	7 ¹ / ₈ (181)	8 ¹ / ₂ (209)	7/8 (22)	1/4 (6)	7/8 (22)	20	1 ³ / ₈ (35)	5 ¹ / ₈ (130)	1 ¹⁷ / ₃₂ (39)	2 ¹ / ₄ (57)	3 ²³ / ₃₂ (94)	4 (2.0)
2 (51)	8 (203)	7 ¹¹ / ₃₂ (187)	8 ¹ / ₈ (206)	6 ¹ / ₈ (168)	7 ¹ / ₈ (181)	8 ¹ / ₂ (209)	7/8 (22)	1/4 (6)	7/8 (22)	15	2 (40)	4 ²³ / ₃₂ (120)	1 ²⁷ / ₃₂ (47)	2 3/4 (70)	3 ²³ / ₃₂ (94)	6 (2.6)

Dimensions are subject to change. Consult factory for certified drawings when required.

Installation Note:

For correct Installation & Maintenance instructions see page 244