



TYPE P14 PILOT

TYPE P SERIES PILOTS PUMP GOVERNOR PILOTS

CONTROLS 3 to 600 PSIG

- Self Contained
- Spring Operated
- Normally Open
- ANSI/FCI 70-2 Class IV Shutoff
- Packless Construction
- Accurate to ± 1 psi
- Three Adjustable Spring Ranges
- Steam Applications
- Constant Average Discharge Pressure
- Accurate Regulation Unaffected by Service Conditions
- Easy In-line Maintenance

OPTIONS

- Adjustment Indicator
- Integral Mount

MODELS

- **TYPE P13** features a spring for controlling pressures 100 to 300 PSI.
- **TYPE P14** features three spring ranges for controlling pressures 5 to 150 PSI.
- **TYPE P15** features two spring ranges for controlling pressures 3 to 25 PSI.
- **TYPE P32** is piston driven and features three spring ranges for controlling pressures 200 to 2000 PSI.

TYPICAL CONFIGURATIONS

- STEAM PUMP CONTROLTYPE EP
- STEAM PUMP CONTROL.....TYPE E2P
- STEAM PUMP CONTROL.....TYPE E5P

APPLICATION DATA

- Steam Driven Pump Control
- Steam Generated Output Control

RATINGS (Maximum Inlet Conditions)

Construction	Pressure PSIG (bar)	Temperature °F (°C)
Cast Iron	250 (17.2) @	450 (232)
Cast Steel	600 (41.4) @	750 (400)

SPRING PRESSURE RANGES (PSIG)

Model	Spring Range 1 (PSIG)	Spring Range 2 (PSIG)	Spring Range 3 (PSIG)
P13	100-300		
P14	5-30	20-100	40-150
P15	3-10	5-25	
P32	200-450	400-600	

Canadian Registration # OC 0591.9C

SIZING INFO
PAGE 120

TYPE P SERIES PILOTS

PUMP GOVERNOR PILOTS

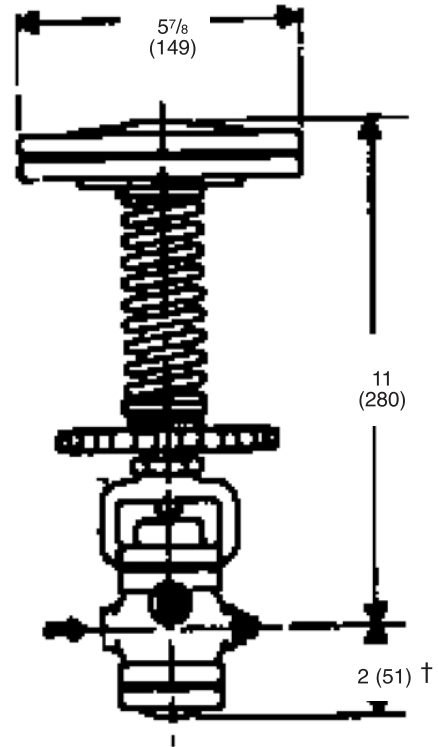
SPECIFICATION

The Pilot shall be separate from the main valve and connected to it with a male union. The Pilot shall be normally open design with packless construction. A strainer screen shall be built into the Pilot inlet. The Pilot shall be interchangeable on all sizes of main valves. The pilot shall automatically adjust pump discharge pressures within the spring range to maintain a constant average pressure.

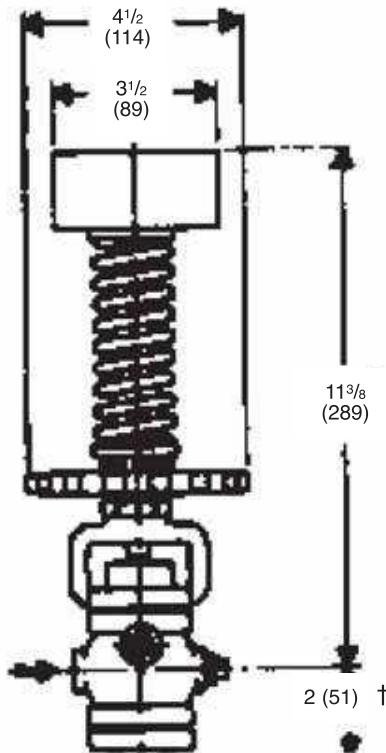
MATERIALS OF CONSTRUCTION

Body, Cast Iron	ASTM A126 CI B
Body, Cast Steel	ASTM A216 GR. WCB
Stem	2024-T4 ASTM B211-75
Disc	440 St. St. ASTM A276-75 COND A
Seat	420 St. St. ASTM A276 COND A
Gasket	Non-Asbestos
Diaphragm	301 St. St. MIL-5-5059C
Spring	Steel ASTM A231

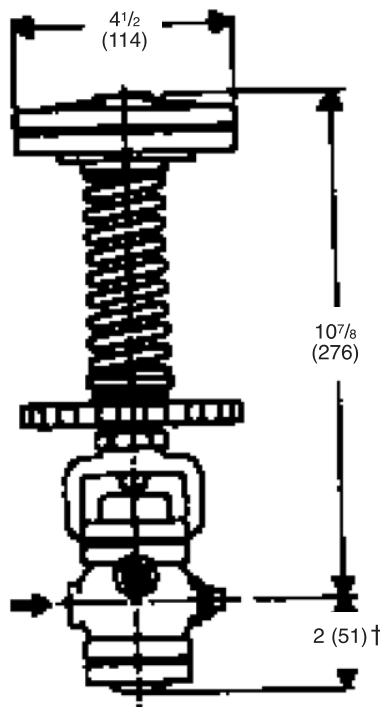
TYPE P PUMP GOVERNOR PILOT



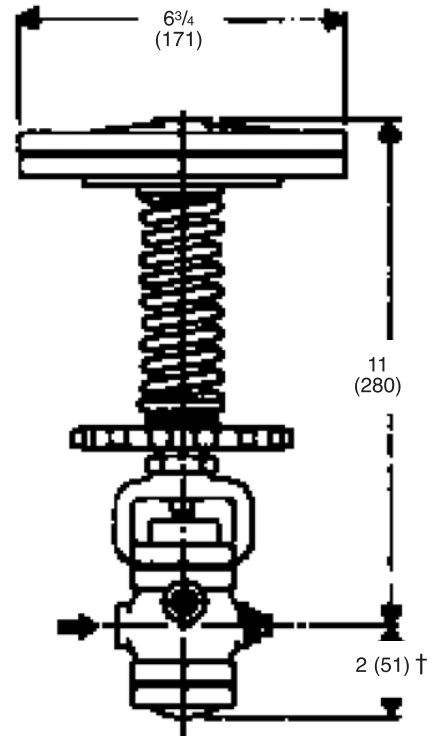
TYPE P14 PILOT
13 LBS.
(5.9 KG)



TYPE P32 PILOT
10 LBS.
(4.5 KG)



TYPE P13 PILOT
11 LBS.
(5 KG)



TYPE P15 PILOT
15 LBS.
(6.8 KG)

†For Integral Mount Pilot, this dimension is 1 1/16" (27).