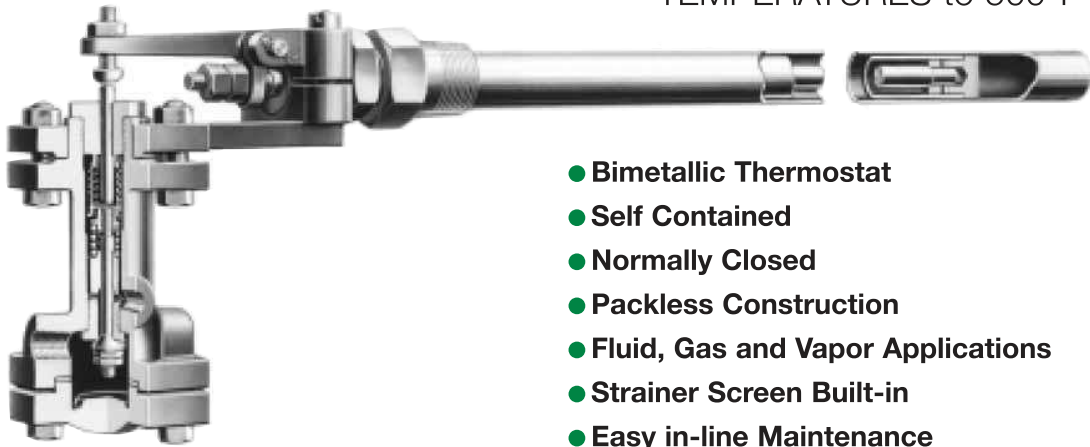


# TYPE SP/T TEMPERATURE SAFETY PILOT

TEMPERATURES to 500°F



## TYPE SP/T TEMPERATURE SAFETY PILOT

### APPLICATION DATA

- Where overheating could cause personal injury or damage

### RATINGS (Maximum inlet Conditions)

Construction	Pressure PSIG (bar)	Temperature °F (°C)
Cast Bronze	300 (21.0)	500°F (260°C)
Cast Steel	600 (41.3)	750°F (400°C)

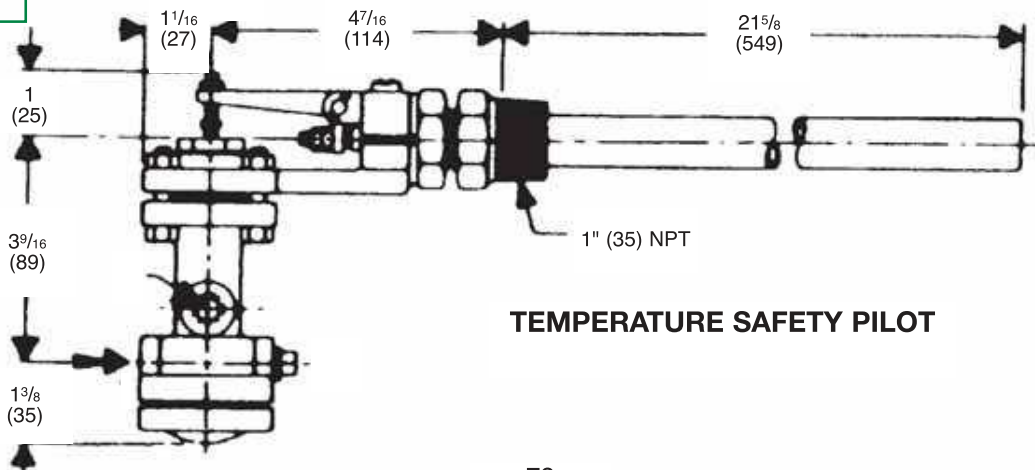
### TEMPERATURE RANGES (°F)

0-500

### MATERIALS OF CONSTRUCTION

Body .....Bronze ASTM B61-80 UNS C92200  
 Stem .....303 St. Stl. ASTM A582 Cond A  
 Disc .....440C St. Stl. ASTM A276-75 Cond A  
 Seat .....420 St. Stl. ASTM A276 Cond A  
 Gasket .....Non-asbestos  
 Bellows .....Bronze  
 Bulb .....Bronze ASTM B62-80 UNS C31400

SIZING INFO  
PAGE 112



## TEMPERATURE SAFETY PILOT

- Bimetallic Thermostat
- Self Contained
- Normally Closed
- Packless Construction
- Fluid, Gas and Vapor Applications
- Strainer Screen Built-in
- Easy in-line Maintenance

### TYPICAL CONFIGURATIONS

TEMPERATURE REGULATING .....ET14SP/T

TEMPERATURE REGULATING .....ET134SP/T

### SPECIFICATION

Pilot to be used to insure that pressure regulator will not fail open. Pilot to be bronze, with stainless steel trim. Pilot to be normally closed and to employ a bimetallic element that will ensure that the pilot will fail open. Pilot to be of packless construction to provide for long service life. Pilot to have a built in strainer for protection.

Canadian Registration # OC 0591.9C

# TYPE T61, T62, T63, T64 PNEUMATIC TEMPERATURE CONTROLLERS

TEMPERATURES to 350°F

- Bimetallic Thermostat for Fast Response
- Pinpoint Accuracy
- 200°F Adjustable Temperature Range
- Air Consumption - Average .25, Maximum .7
- Adjustable Proportional Band 1/4-2 psi per 1°F
- Overtemperature Protection
- Air Supply Pressure 30 psi

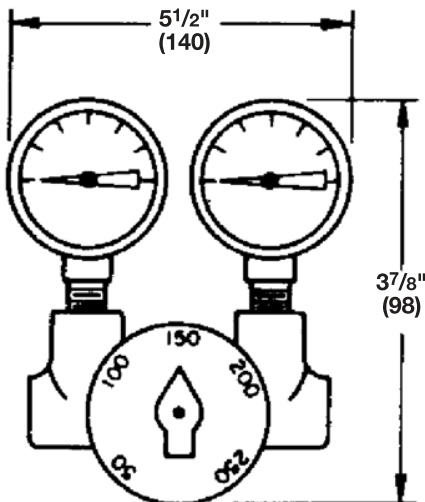
## MODELS

- **TYPE T61** for applications where air control signal decreases as process temperature increases.
- **TYPE T62** for applications where air control signal increases as process temperature increases.
- **TYPE T63** for high temperature applications where air control signal decreases as process temperature increases.
- **TYPE T64** for sanitary applications where air control signal decreases as process temperature increases. Supplied with IAMD Sanitary Cap.

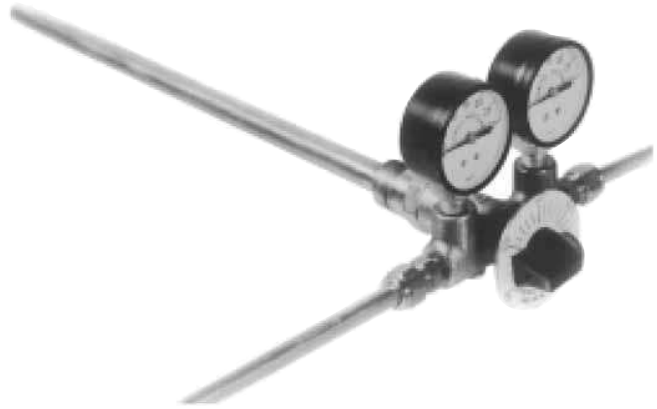
## TYPICAL CONFIGURATIONS

PRESSURE & TEMPERATURE .....EA85T61

SIZING INFO  
PAGE 114



TYPE T61, T62, T63, T64  
CONTROLLER  
1 1/2 LBS (.7 KG)



TYPE T61 PNEUMATIC  
TEMPERATURE CONTROLLER

TYPE T61, 62, 63, T64  
TEMPERATURE PILOT

## APPLICATION DATA

- Instantaneous Heaters
- Process Applications with wide ranging, fast changing loads

## RATINGS (Maximum Inlet Conditions)

Pressure PSIG (bar)	Temperature °F (°C)
250 (17.2)	400 (204)

## TEMPERATURE RANGES (°F)

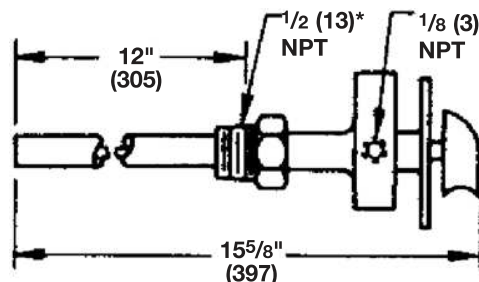
T61, T62, T64	50-250
T63	150-350

## SPECIFICATION

The temperature controller shall be of the non-indicating type. It shall be equipped with 0-30 psi supply and loading gages. The controller shall have 200°F adjustable range and be equipped with a bronze bulb as part of its bimetal thermostat. Control point adjustments to be made by a knob on the temperature pilot and throttling range shall be adjustable externally with a set screw wrench. A stainless steel thermostat bulb, preferable in lieu of a well, is available as an alternate to bronze.

## MATERIALS OF CONSTRUCTION

Body	Bronze ASTM B62-80 UNS C83600
Bulb, Bronze	ASTM B140-80 UNS C31400
Bulb, Steel	316 St. Stl. ASTM A276 Cond. A
Seals	Viton
Spool	Brass ASTM B16-80 UNS 36000
Spring	St. Steel



\* For T64, this is IAMD Sanitary Cap.