



TYPE ED SERIES PRESSURE REGULATOR

CAST IRON or STEEL
PRESSURES to 600 PSIG at 750°F

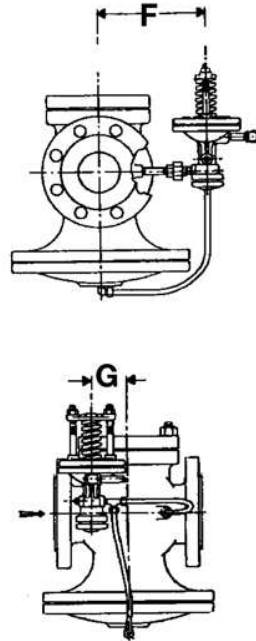
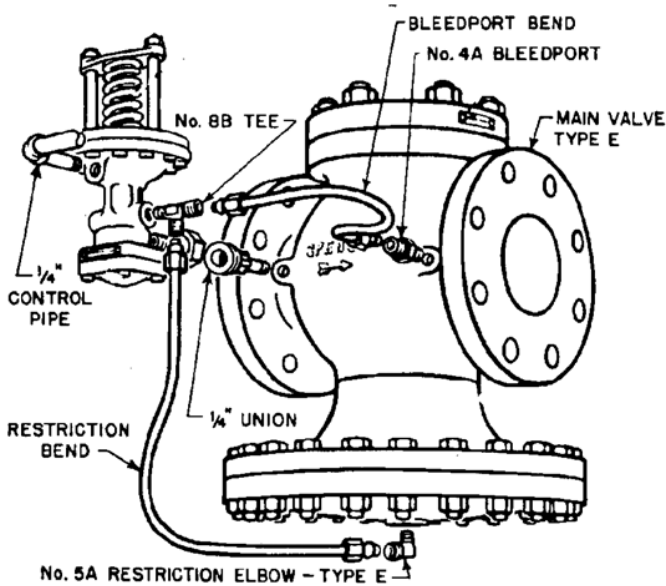
APPLICATION DATA

- Pressure Regulating for Steam Distribution
- Single Point or Multiple use Applications
- Pressure Control for Steam Plants
- District Heating Systems
- Single Stage Reductions
- Two Stage Reductions
- Parallel Reduction

TYPE ED PRESSURE REGULATOR

VALVE INFO
PAGE 26

PILOT INFO
PAGE 46



DIMENSIONS inches (mm)

SIZE	F	G
3/8 (10)	5 3/8 (136)	1 1/4 (32)
1/2 (15)	5 3/8 (136)	1 1/4 (32)
3/4 (20)	5 3/8 (136)	1 3/8 (35)
1 (25)	5 3/4 (146)	1 1/2 (38)
1 1/4 (32)	6 (152)	1 7/8 (48)
1 1/2 (40)	6 1/4 (159)	2 (51)
2 (60)	6 5/8 (168)	2 1/8 (54)
2 1/2 (65)	6 3/4 (171)	2 3/8 (60)
3 (80)	7 1/4 (184)	2 3/4 (70)
4 (100)	8 (203)	3 1/2 (89)
5 (125)	9 (229)	3 1/2 (89)
6 (150)	9 7/8 (251)	4 (102)
8 (200)	10 1/2 (267)	6 1/4 (159)
10 (250)	12 1/2 (318)	6 (152)
12 (300)	14 (356)	8 1/2 (216)

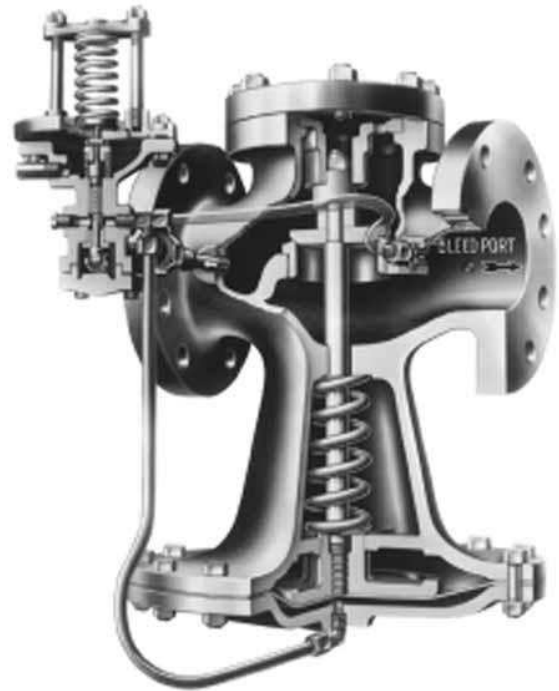
Valve is tapped so that Pilot may be mounted on either side.

TYPE E2D SERIES PRESSURE REGULATOR

CAST IRON
PRESSURES to 15 PSIG max.

APPLICATION DATA

- Pressure Regulating for Steam Distribution
- Single Point or Multiple use Applications
- Single Stage Reduction
- Parallel Reduction
- Low Pressure Drop to Operate Valve
- Instantaneous Hot Water Heaters with low supply pressures (with the addition of a T14 Pilot)



TYPE E2D
PRESSURE REGULATOR

TYPE E2D PRESSURE REGULATOR

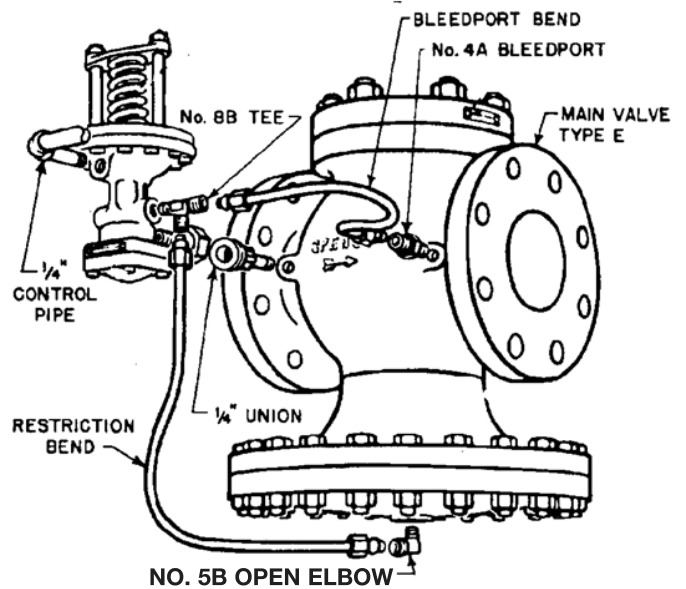
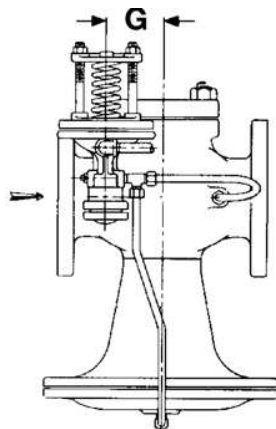
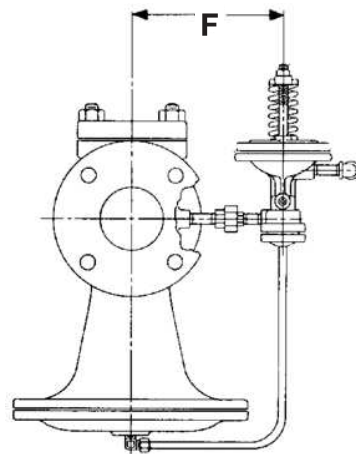
VALVE INFO
PAGE 28

PILOT INFO
PAGE 46

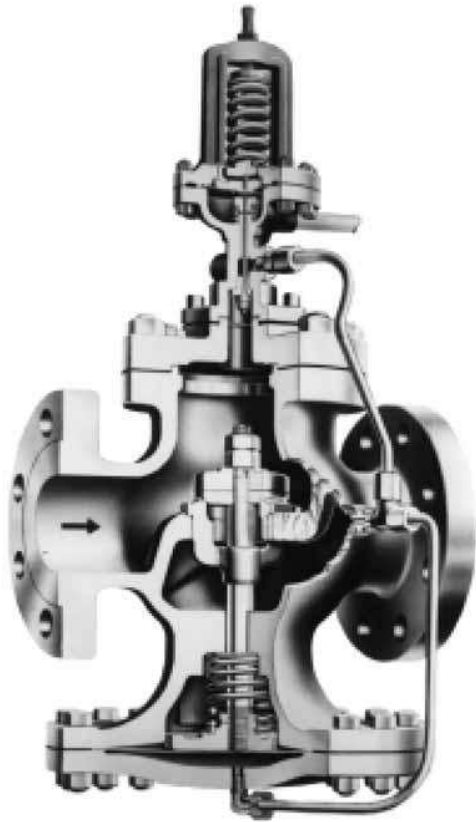
DIMENSIONS

inches (mm)

SIZE	F	G
3/4 (20)	5 5/8 (143)	1 3/8 (35)
1 (25)	5 3/4 (146)	1 1/2 (38)
1 1/4 (32)	6 (152)	1 7/8 (48)
1 1/2 (40)	6 1/4 (159)	2 (51)
2 (50)	6 5/8 (168)	2 1/8 (54)
2 1/2 (65)	6 3/4 (171)	2 3/8 (60)
3 (80)	7 1/4 (184)	2 3/4 (70)
4 (100)	7 3/8 (187)	3 1/2 (89)
5 (125)	8 1/8 (206)	3 1/2 (89)
6 (150)	8 1/2 (216)	4 (102)
8 (200)	9 3/8 (238)	6 1/4 (159)
10 (250)	11 (279)	6 (152)



Valve is tapped so that Pilot may be mounted on either side.



TYPE ED & ED2 INTEGRAL MOUNT PRESSURE REGULATOR

CAST IRON or STEEL
for PRESSURES to 600 PSIG at 750°F

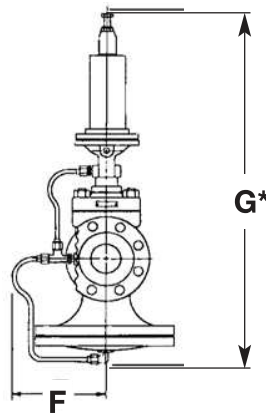
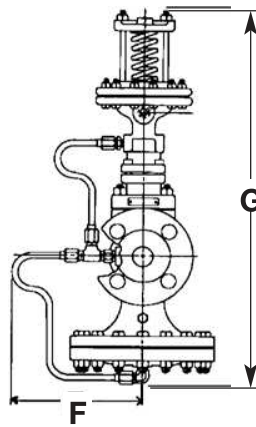
APPLICATION DATA

- Pressure Regulation for Steam Distribution where space is limited

TYPE ED INTEGRAL MOUNT PRESSURE REGULATOR

VALVE INFO
PAGE 26

PILOT INFO
PAGE 46



DIMENSIONS inches (mm)

SIZE	F	G*
3/8 (10)	5 1/4 (133)	15 3/4 (400)
1/2 (15)	5 1/4 (133)	15 3/4 (400)
3/4 (20)	5 3/8 (136)	17 (432)
1 (25)	5 1/2 (140)	18 1/2 (470)
1 1/4 (32)	5 3/4 (146)	18 1/2 (470)
1 1/2 (40)	6 (152)	19 1/2 (495)
2 (50)	6 1/2 (165)	20 5/8 (524)
2 1/2 (65)	7 (178)	21 3/4 (552)
3 (80)	7 3/8 (187)	23 1/2 (597)
4 (100)	8 7/8 (225)	27 1/4 (692)
5 (125)	10 (254)	28 5/8 (727)
6 (150)	11 3/8 (289)	31 1/2 (800)
8 (200)	12 3/4 (324)	35 3/8 (899)
10 (250)	15 1/2 (394)	43 3/4 (1111)
12 (300)	18 (457)	47 3/4 (1213)

* For D2 Pilot, add 5 1/4" (133) to this dimension.