

**TYPE D34  
WATER PRESSURE REDUCING VALVE**

## TYPE D34 WATER PRESSURE REDUCING VALVE

SIZES 1" – 6"  
PRESSURES to 200 PSIG at 200°F

- Self-contained
- Closes Tight on Dead-end Shutoff
- Fast Acting for Rapid Changes in Flow
- Sediment Settles away from Control Ports when Installed Horizontally
- ANSI/FCI 70-2 Class VI Shutoff

### APPLICATION DATA

- Dead-end water service where flow is intermittent and changes rapidly
- Flushometers
- Snap cocks

### VALVE RATINGS

Valve Ends ASME/ANSI	Pressure PSIG (bar)	Temperature °F (°C)
-------------------------	------------------------	------------------------

#### CAST IRON

B16.4 Class 250 NPT	200 (13.8) @	200 (93)
B16.1 Class 125 Flanged	165 (11.4) @	200 (93)
B16.1 Class 250 Flanged	200 (13.8) @	200 (93)

### SPRING RANGES (psi)

10-40	30-80	70-140
-------	-------	--------

Canadian Registration # OC 0591.9C

*Installation Tip:* Add Uniflex Pipe Coupling for ease of maintenance  
Consult factory for pricing and availability

### RATED FLOW COEFFICIENTS (Cv)

	VALVE SIZE								
	1	1¼	1½	2	2½	3	4	5	6
Cv	5.5	12.5	17.3	24	36	53	86	139	196

# TYPE D34 WATER PRESSURE REDUCING VALVE

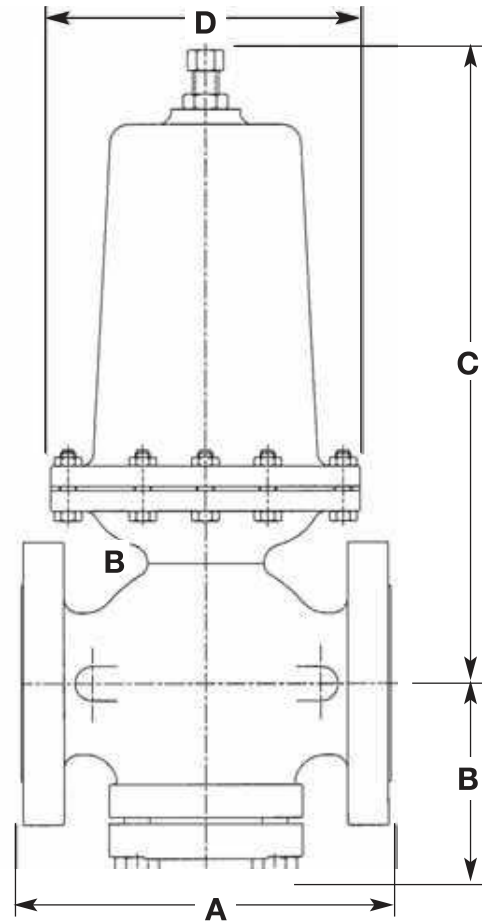
## SPECIFICATION

The Valve shall be adjustable, direct operated, packless, diaphragm actuated, balanced and single seated. The valve shall close tight on dead end shutoff and shall maintain a discharge pressure which will not vary more than 1 psig for each 10 psig inlet pressure variation. Delivery pressure variations from zero flow to rated flow shall not exceed 15% of the maximum spring pressure rating. The valve shall be suitable for 200°F service temperature.

Valve body shall be cast iron. Sizes 2-1/2" and larger shall have flanged ends. Trim shall be stainless steel. Valve shall be equipped with a reversible composition disc and diaphragms and discs shall be nitrile. All working parts shall be easily accessible without removal of valve from the line.

## MATERIALS OF CONSTRUCTION

Body .....Cast Iron ASTM 126 Cl. B  
Stem .....303 St. Stl. ASTM 582 Cond. A  
Disc .....Nitrile  
Seat .....304 St. Stl. ASTM 276 Cond. A  
Gasket .....Non-asbestos  
Diaphragm .....Nitrile  
Spring .....Steel



D34 PRESSURE VALVE

**TYPE D34  
WATER PRESSURE REDUCING VALVE**

### DIMENSIONS inches (mm) AND WEIGHTS pounds (kg)

SIZE	FACE TO FACE			OTHER DIMENSIONS			APPROX. WT.		
	A			B	C	D	ANSI NPT	ANSI 125	ANSI 250
	ANSI NPT	ANSI 125	ANSI 250						
1 (25)	5 <sup>3</sup> / <sub>8</sub> (136)	—	—	3 <sup>3</sup> / <sub>8</sub> (86)	12 <sup>1</sup> / <sub>8</sub> (308)	5 <sup>1</sup> / <sub>2</sub> (140)	22 (10)	—	—
1 <sup>1</sup> / <sub>4</sub> (32)	6 <sup>1</sup> / <sub>2</sub> (165)	—	—	3 <sup>5</sup> / <sub>8</sub> (92)	12 <sup>1</sup> / <sub>2</sub> (316)	5 <sup>1</sup> / <sub>2</sub> (140)	24 (11)	—	—
1 <sup>1</sup> / <sub>2</sub> (38)	7 <sup>1</sup> / <sub>4</sub> (184)	—	—	4 <sup>1</sup> / <sub>4</sub> (108)	13 <sup>3</sup> / <sub>8</sub> (340)	6 (152)	34 (15)	—	—
2 (51)	7 <sup>1</sup> / <sub>2</sub> (191)	8 <sup>1</sup> / <sub>2</sub> (216)	9 (228)	4 <sup>5</sup> / <sub>8</sub> (117)	14 <sup>3</sup> / <sub>4</sub> (375)	6 <sup>3</sup> / <sub>4</sub> (171)	44 (20)	51 (23)	57 (26)
2 <sup>1</sup> / <sub>2</sub> (64)	—	9 <sup>3</sup> / <sub>8</sub> (238)	10 (254)	5 <sup>1</sup> / <sub>2</sub> (140)	18 <sup>3</sup> / <sub>4</sub> (476)	8 (203)	—	78 (35)	89 (40)
3 (76)	—	10 (254)	10 <sup>3</sup> / <sub>4</sub> (273)	6 (152)	21 <sup>3</sup> / <sub>4</sub> (552)	9 (229)	—	108 (49)	128 (58)
4 (102)	—	11 <sup>7</sup> / <sub>8</sub> (302)	12 <sup>1</sup> / <sub>2</sub> (318)	6 <sup>5</sup> / <sub>8</sub> (168)	26 <sup>5</sup> / <sub>8</sub> (676)	11 <sup>1</sup> / <sub>4</sub> (283)	—	198 (90)	225 (102)
5 (127)	—	13 <sup>3</sup> / <sub>8</sub> (346)	14 <sup>1</sup> / <sub>2</sub> (268)	7 <sup>5</sup> / <sub>8</sub> (194)	33 <sup>1</sup> / <sub>8</sub> (841)	14 <sup>1</sup> / <sub>4</sub> (362)	—	352 (160)	394 (252)
6 (152)	—	15 <sup>1</sup> / <sub>8</sub> (384)	16 (406)	9 <sup>1</sup> / <sub>8</sub> (232)	35 <sup>7</sup> / <sub>8</sub> (911)	16 (406)	—	500 (227)	550 (250)