

TYPES A & B PANELS

- Gauges indicate Air Loading, Air Supply and/or Delivery Pressures
- Integral Filter Conditions Dirty Shop Air
- 50 PSI Delivery Pressure
- Accurate Delivery Pressure over Wide Range of Flow

OPTIONS

- HIGH DELIVERY PRESSURE

MODELS

- **MODEL A AIR ADJUSTMENT PANEL** includes an air adjusting valve incorporating its own bleed and two gages; one for the supply air, the other to indicate the adjusting air. It comes complete and ready to be mounted directly on a control board or box.
- **MODEL B AIR ADJUSTMENT PANEL** is the same as the Model A with the exception that it has, in addition, a gage indicating the delivery pressure.

TYPICAL CONFIGURATIONS

For use with:

- EA
- Positioners
- Any Controller Requiring Conditioned Pneumatic Signal
- E8
- EPC



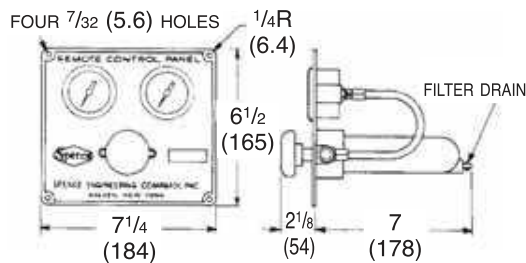
TYPE B PANEL

APPLICATION DATA

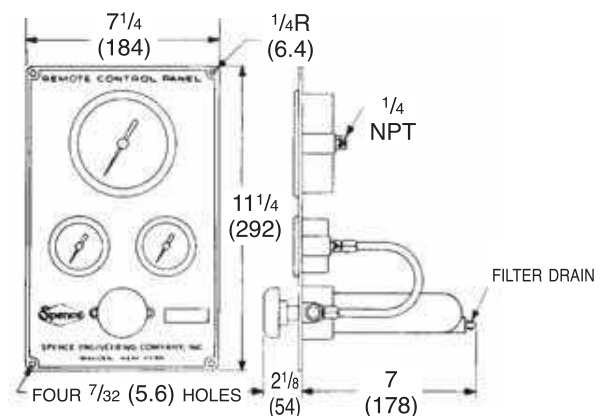
- To display Air Loading, Air Supply and/or Delivery Pressure
- To Remotely Adjust Air Pilots
- To Reduce Plant Air Pressure to Instrument Air Pressure for Signaling Regulators and Control Valves
- To Filter Plant Air to Instrument Air Quality

SPECIFICATION

Air Adjustment Panel shall provide remote control for air actuated regulators and control valves. It shall convert plant air to instrument quality air and provide 0 to 50 psi delivery pressure. The Panel shall have a flow capacity of 22 scfm. Panel shall have gauges indicating air load pressure and air supply pressure with option of process delivery pressure gauge.



TYPE A PANEL cutout 5 1/4 (133) high by 6 (152) wide



TYPE B PANEL cutout 10 1/4 (286) high by 6 (152) wide