



TITAN FLOW CONTROL, INC.

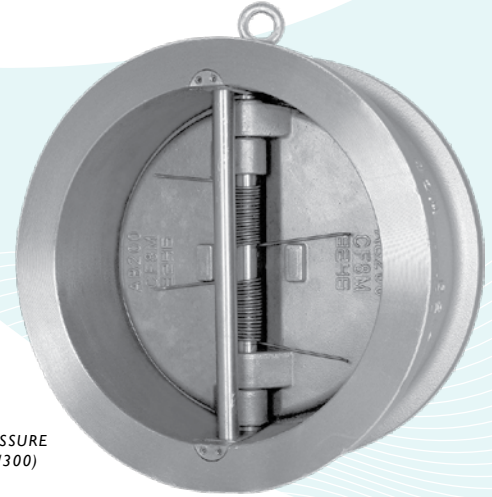
## CHECK VALVE ♦ WAFER TYPE ♦ DUAL DISC

### ANSI CLASS 300 ♦ CARBON AND STAINLESS STEEL

MODELS: CV 44-CS  
(CARBON STEEL)

CV 44-SS  
(STAINLESS STEEL)

SIZES: 2" ~ 24"



2" ~ 6" PROVIDE DUAL PRESSURE  
SERVICE (ANSI CLASS 150/300)

## FEATURES

- ◇ **COST EFFICIENT DESIGN**  
LOW WEIGHT AND SHORT LAYING LENGTH PRODUCE SAVINGS IN INITIAL COST, SPACE REQUIREMENTS, AND INSTALLATION WHEN COMPARED TO FULL-BODY, SWING-TYPE CHECK VALVES.
- ◇ **MINIMAL HEAD LOSS**  
CONTOUR OF BODY PROVIDES A SHORT AND STRAIGHT FLOW PATH THAT GENERATES VERY LITTLE TURBULENCE. ADDITIONALLY, THE SPRING-LOADED DISCS ARE DESIGNED WITH VERY LOW CRACKING PRESSURE WHICH REDUCES THE AMOUNT OF ENERGY REQUIRED TO OPEN THE VALVE.
- ◇ **QUICK CLOSURE TO REDUCE WATER HAMMER**  
SHUT-OFF IS ACHIEVED VIA THE FULLY AUTOMATIC, SPRING-ASSISTED DISCS THAT CLOSE NEAR ZERO FLOW VELOCITY. THE LIGHTWEIGHT, SPLIT DISC DESIGN CREATES A POSITIVE SHUTOFF PRIOR TO FLOW REVERSAL AND HELPS TO KEEP SLAMMING AND SURGES TO A MINIMUM.
- ◇ **DESIGNED FOR LONG SERVICE LIFE**  
THE SPRING AND DISCS ARE DESIGNED TO ALLOW THE DISCS TO LIFT LINEARLY BEFORE PIVOTING TO AVOID THE DISC HEAL FROM SCRUBBING THE SEALING SURFACE. ALSO, DISCS ARE EQUIPPED WITH CAST-IN SHOCK BUMPERS THAT HELP TO REDUCE WEAR AND TEAR ON INTERNAL COMPONENTS.
- ◇ **FUGITIVE EMISSION DESIGN**  
THE RETAINER-LESS BODY DESIGN ELIMINATES POTENTIAL LEAK PATHS TO THE ENVIRONMENT SO THERE ARE NO BODY EMISSIONS.
- ◇ **RESILIENT AND METAL SEATS**  
BOARD, LAPPED SEALING SURFACE (METAL) MEETS OR EXCEEDS API 598 TEST REQUIREMENTS. RESILIENT SEATS (VITON/BUNA) ENSURE A BUBBLE TIGHT SEAL.

## TECHNICAL

PRESSURE/TEMPERATURE RATING  
CS - ASTM A216 GR. WCB - CLASS 300

WOG (Non-shock): 740 PSI @ 100 °F

PRESSURE/TEMPERATURE RATING  
SS - ASTM A351 GR. CF8M - CLASS 300

WOG (Non-shock): 720 PSI @ 100 °F

SEAT MATERIAL  
TEMPERATURE RANGE

VITON: -40 ~ 400 °F  
BUNA-N: -20 ~ 250 °F

SPRING MATERIAL<sup>(1)</sup>  
TEMPERATURE MAXIMUM

INCONEL X-750: 1000 °F

*1. The above listed temperatures are theoretical and may vary during actual operating conditions.*

## APPLICATIONS

**MARKETS:** WATER & WASTEWATER, PULP & PAPER, CHEMICAL & PETROCHEMICAL, POWER, PETROLEUM AND OIL & GAS

**BUNA-N PROPERTIES:** MOST WIDELY USED ELASTOMER. GOOD FOR MOST PETROLEUM OILS AND FLUIDS, SILICONE GREASES AND OILS, AND COLD WATER. EXCELLENT COMPRESSION SET, TEAR, AND ABRASION RESISTANCE. POOR WEATHER RESISTANCE AND MODERATE HEAT RESISTANCE. NOT RECOMMENDED FOR SEVERE OZONE-RESISTANT APPLICATIONS.

**VITON PROPERTIES:** OFFERS A BROAD RANGE OF CHEMICAL RESISTANCE AND EXCELLENT HEAT RESISTANCE. GOOD MECHANICAL PROPERTIES AND COMPRESSION SET RESISTANCE. OFTEN USED IN APPLICATIONS WHERE NOTHING ELSE WILL WORK. FAIR LOW TEMPERATURE RESISTANCE AND LIMITED HOT-WATER RESISTANCE AND SHRINKAGE.

*The above data represents common market and service applications. No representation or guarantee, expressed or implied, is given due to the numerous variations of concentrations, temperatures and flow conditions that may occur during actual service.*

## TITAN FLOW CONTROL, INC.

YOUR PIPELINE TO THE FUTURE!

Tel: 910-735-0000 ♦ Fax: 910-738-3848 ♦ titan@titanfci.com ♦ www.titanfci.com  
290 Corporate Drive ♦ PO Box 7408 ♦ Lumberton, NC 28358



**TITAN FLOW CONTROL, Inc.**  
 290 Corporate Drive  
 Lumberton, NC 28358  
 Tel: 910.735.0000  
 E-mail: titan@titanfci.com  
 Web: www.titanfci.com  
 Fax: 910.738.3848

**CHECKVALVE • WAFERTYPE • DUAL DISC**  
**MODELS: CV 44-CS (Carbon Steel)**  
**CV 44-SS (Stainless Steel)**

ANSI Class  
 300

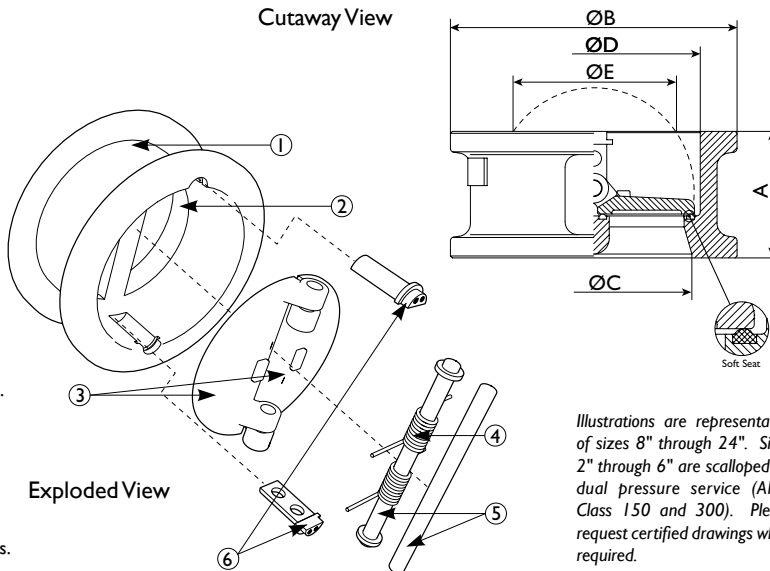
**BILL OF MATERIALS <sup>(1)</sup>**

No.	PART	CV 44-CS <sup>(3)</sup>	CV 44-SS
1	Body	Carbon Steel A216 Gr.WCB	Stainless Steel A351 Gr. CF8M
2	Seat	Metal/Viton/Buna-N <sup>(4)</sup>	Metal or Viton
3	Disc <sup>(2)</sup>	Stainless Steel A351 Gr. CF8M	Stainless Steel A351 Gr. CF8M
4	Spring <sup>(2)</sup>	Inconel X-750	Inconel X-750
5	Shaft/Stop Pin	Stainless Steel A276 Gr. 316	Stainless Steel A276 Gr. 316
6	Pin Cap	Carbon Steel ASTMA105	Stainless Steel A276 Gr. 316

1. Equivalent or better materials may be substituted at the manufacturer's discretion.
2. Denotes recommended spare parts.
3. Carbon Steel bodies are epoxy painted.
4. Metal seat is stainless steel inlay.

**Additional Design & Technical Notes:**

- The CV 44 has a fugitive emission design. This retainer-less body design eliminates potential leak paths to the environment so there are no body emissions.



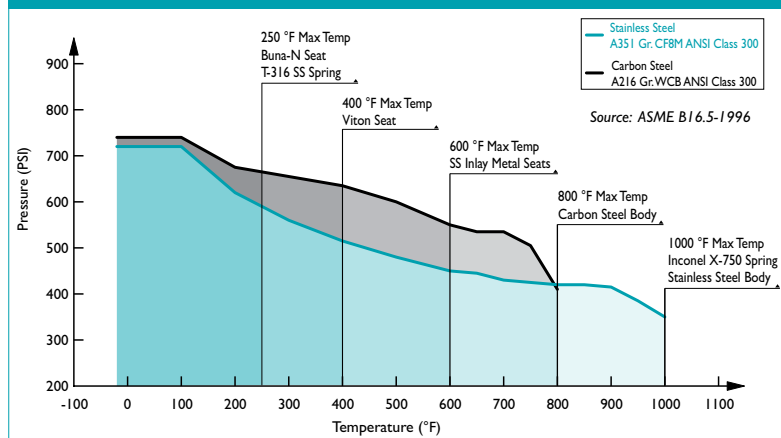
Illustrations are representative of sizes 8" through 24". Sizes 2" through 6" are scalloped for dual pressure service (ANSI Class 150 and 300). Please request certified drawings when required.

**DIMENSIONS AND PERFORMANCE DATA <sup>(1)</sup>**

SIZE	in	2	2 1/2	3	4	5	6	8	10	12	14	16	18	20	24
	mm	50	65	80	100	125	150	200	250	300	350	400	450	500	600
<b>A DIMENSION</b> FACE TO FACE <sup>(2)</sup>	in	2.38	2.62	2.88	2.88	3.88	3.87	5.00	5.75	7.12	8.75	9.12	10.38	11.50	12.50
	mm	60	67	73	73	99	99	127	146	181	222	232	264	292	318
<b>ØB DIMENSION</b> OVERALL DIAMETER	in	4.33	5.04	5.78	7.05	8.43	9.81	12.00	14.15	16.55	19.02	21.18	23.38	25.70	30.40
	mm	110	128	147	179	214	249	305	359	420	483	538	594	653	772
<b>ØC DIMENSION</b> INLET DIAMETER	in	2.00	2.50	3.00	4.00	5.00	6.52	8.00	10.00	12.00	13.26	15.24	17.50	19.00	23.42
	mm	51	64	76	102	127	166	203	254	305	337	387	445	483	595
<b>ØD DIMENSION</b> OUTLET DIAMETER	in	2.16	2.67	3.23	4.25	5.12	6.38	8.66	10.63	12.60	13.46	15.75	18.25	19.50	24.00
	mm	55	68	82	108	130	162	213	270	320	347	400	464	498	610
<b>ØE DIMENSION</b> MINIMUM BORE DIAMETER <sup>(4)</sup>	in	0.94	1.73	2.36	3.54	4.45	5.31	1.75	2.24	2.66	3.00	3.63	4.03	4.54	5.52
	mm	24	43	60	90	113	135	44	57	68	76	92	103	116	142
<b>ASSEMBLED WEIGHT</b>	lb	5.5	8.0	10.0	15.5	23.5	36.0	66.0	102.0	156.0	236.0	302.0	390.0	540.0	670.0
	kg	2.5	3.6	4.5	7.0	10.6	16.3	29.9	46.3	70.8	107.0	137.0	176.9	244.9	303.9
<b>Flow Coefficient</b>	C <sub>v</sub>	62	110	175	350	550	850	1500	2400	3700	5400	8250	10400	14200	23000
<b>Cracking Pressure <sup>(3)</sup></b>	psi	≤ .25	≤ .25	≤ .25	≤ .25	≤ .25	≤ .25	≤ .25	≤ .25	≤ .25	≤ .25	≤ .25	≤ .25	≤ .25	≤ .25

1. Dimensions and weights are for reference only. When required, request certified drawings.
2. Face to face values have a tolerance of ±0.06 in (±2.0 mm) for sizes 10" and lower and a tolerance of ±0.12 in (±3.0 mm) for sizes 12" and larger.
3. Cracking pressure is for horizontal installations only. For vertical installations, please consult factory.
4. Minimum Bore Diameter indicates the minimum internal diameter of the adjacent pipe.

**PRESSURE - TEMPERATURE RATINGS <sup>(1)</sup>**



- The above chart displays the pressure-temperature ratings for the valve's body material per ASME B16.5-1996. Max temperature limits have been added for seat and spring materials. For ANSI Class 150 ratings (2" ~ 6"), please refer to the CV 42-CS/SS specification sheet.

Titan FCI makes every effort to ensure the information presented on our literature accurately reflects exact product specifications. However, as product changes occur, there may be short-term differences between actual product specifications and the information contained within our literature. Titan FCI reserves the right to make design and specification changes to improve our products without prior notification. When required, request certified drawings.

**REFERENCED STANDARDS & CODES**

CODE	DESCRIPTION
ANSI/API 594	Valve Design and Manufacture
ANSI/ASME 16.5	Flange Dimensions
ANSI/API 594	Valve Face to Face Dimensions
API 598	Valve Inspection and Pressure Test

**PRESSURE - TEMPERATURE RATING**

ANSI CLASS 300	A216 Gr. WCB	A351 Gr. CF8M
WOG (Non-shock):	740 PSI @ 100 °F	720 PSI @ 100 °F

Sizes 2" through 6" are designed for dual pressure service (Class 150 and 300). For ANSI Class 150 ratings, please refer to the CV 42-CC/SS specification sheet.

**SEAT AND SPRING TEMPERATURE RATING**

Seat Material	Range	Spring Material	Max
VITON:	-40 ~ 400 °F	INCONEL X-750:	1000 °F
BUNA-N:	-20 ~ 250 °F		