

Valve Body Selection

(for 940 Series Heavy Duty Control Valve)

CAST IRON

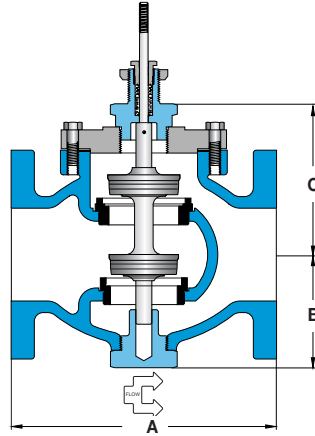
Double Seat • 1½" – 8"

All dimensions are nominal. Dimensions in [] are in millimeters.

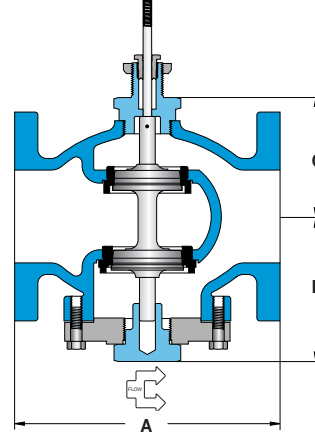


CONTROL VALVES

Stem In-to-Close (normally open)



Stem In-to-Open (normally closed)



Size	125 PSI			250 PSI		
	A	B	C	A	B	C
1½"	x	x	x	7.4 [188]	3.8 [97]	4.5 [114]
2"	x	x	x	7.4 [188]	3.8 [97]	4.5 [114]
2½"	7.8 [198]	4.1 [105]	4.9 [124]	8.4 [213]	4.1 [105]	4.9 [124]
3"	9.0 [229]	4.4 [112]	5.1 [130]	9.8 [249]	4.4 [112]	5.1 [130]
4"	11.4 [290]	5.0 [127]	6.6 [168]	12.0 [305]	5.0 [127]	6.6 [168]
5"	12.0 [305]	6.8 [173]	7.6 [193]	12.9 [328]	6.8 [173]	7.6 [193]
6"	14.1 [358]	7.5 [191]	8.5 [216]	14.5 [368]	7.5 [191]	8.5 [216]
8"	16.3 [414]	8.8 [224]	9.6 [244]	16.3 [414]	8.8 [224]	9.6 [244]

Note: Drawing depicts flanged connections; 1½" & 2" valves have threaded connections.

Specifications

Body Material	Trim Material	Trim Style	Connection	Pressure & Temperature Rating
Cast-iron	Stainless steel	Equal percentage	1½"-2": Threaded 2½"-8": Class 125 flanged 2½"-8": Class 250 flanged	250 PSI @ 400°F (204°C) 125 PSI @ 350°F (176°C) 250 PSI @ 400°F (204°C)

Valve Body Selection

In-To-Close (Normally Open)				Maximum Close-Off Pressure (psid)		Approximate Shipping Wt.
Valve Body Number		Size	C _v	Actuator		
Class 125	Class 250			940B	940B w/Positioner	
x	L50	1½"	30	400	400	20 lbs [9 kg]
x	L61	2"	42	400	400	20 lbs [9 kg]
K73	L73	2½"	70	400	400	45 lbs [20 kg]
K78	L78	3"	100	400	400	70 lbs [32 kg]
K83	L83	4"	200	400	400	100 lbs [45 kg]
K88	L88	5"	260	302	400	155 lbs [70 kg]
K93	L93	6"	350	233	400	180 lbs [82 kg]
K98	L98	8"	680	123	400	310 lbs [141 kg]

In-To-Open (Normally Closed)				Maximum Close-Off Pressure (psid)		Approximate Shipping Wt.
Valve Body Number		Size	C _v	Actuator		
Class 125	Class 250			940B	940B w/Positioner	
x	L55	1½"	30	400	400	20 lbs [9 kg]
x	L66	2"	42	400	400	20 lbs [9 kg]
K74	L74	2½"	70	326	400	45 lbs [20 kg]
K79	L79	3"	100	243	400	70 lbs [32 kg]
K84	L84	4"	200	140	400	100 lbs [45 kg]
K89	L89	5"	260	87	400	155 lbs [70 kg]
K94	L94	6"	350	50	400	180 lbs [82 kg]
K99	L99	8"	680	x	386	310 lbs [141 kg]