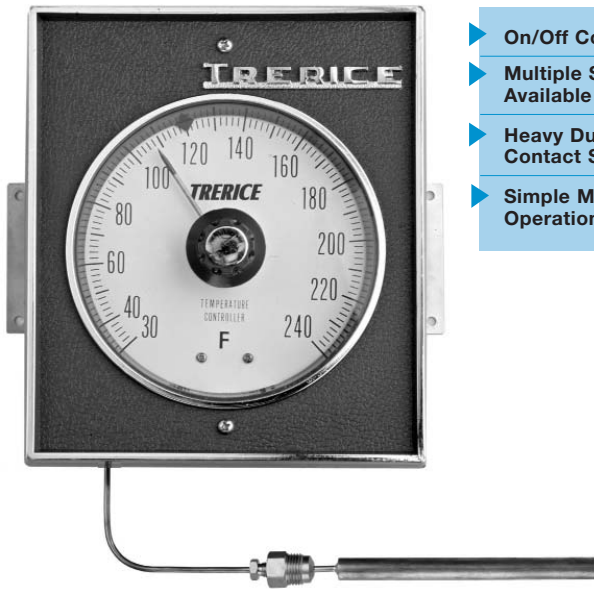


# L84000 Series Electric Contact Controller

CONTROLLERS



L84000 shown

- ▶ On/Off Control
- ▶ Multiple Switches Available
- ▶ Heavy Duty Contact Switches
- ▶ Simple Mechanical Operation

The Trerice **L84000 Series** Electric Contact Controller is designed for applications that require the opening and closing of electric solenoid valves, heaters, and other electrical devices. It is a rugged and versatile controller, capable of producing "On/Off" control over a wide range of temperatures from -100°F to 700°F. This controller includes a setting adjustment knob and one or more SPDT electric contact switches.

For applications where the process media may be corrosive or contained under pressure, the use of a thermowell is required to prevent damage to the controller and facilitate its removal from the process. (Refer to page 212)

## Specifications

### Models

<b>L84000</b>	(1 switch)
<b>L84100</b>	(2 switch)
<b>L84200</b>	(3 switch)
<b>L84300</b>	(4 switch)

**Control** On/Off, via electric contact switch

**Dial Size** 6"

**Movement** Stainless Steel and Brass

**Case** Blue ABS plastic, panel mounted

**Cover** Blue ABS plastic, close cell rubber gasketed

**Window** Acrylic

**Pointer** Brass

### Switch Ratings

L84000, L84100:  
10 A @ 125/250 VAC,  
0.25 A @ 120 VDC

L84200, L84300:  
5 A @ 250 VAC,  
5 A res./3 A ind. @ 28 VDC

**Dialface** Aluminum, white background with black graduations and markings

**Accuracy** ± One Scale Division

**Approximate Shipping Weight**  
9.0 lbs [4.09 kg]

## HOW TO ORDER

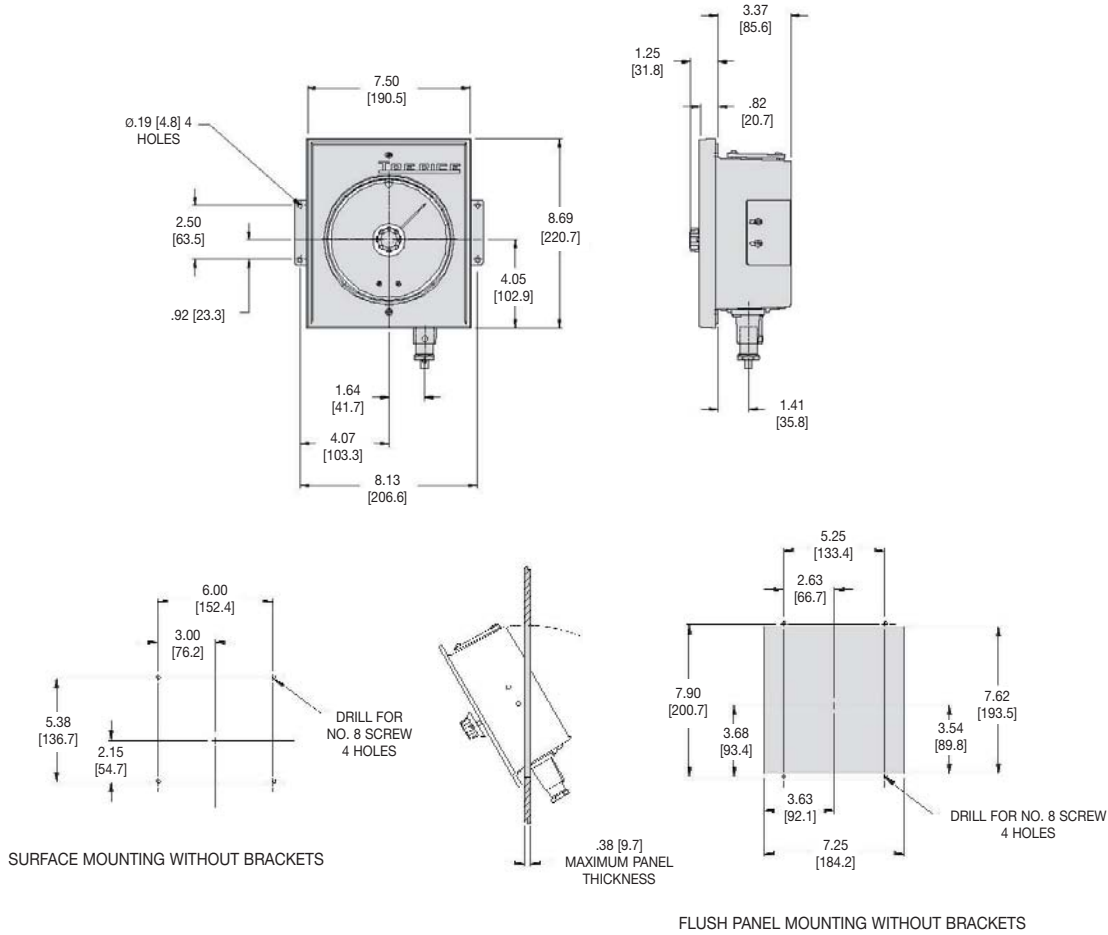
Sample Order Number: **L 84100 145 B10 10 W02**

Actuation	Model	Specific Range	Thermal System	Capillary Length	Thermowell
L Liquid	<b>84000</b> 1 Switch	Refer to Standard Ranges (page 209)	Refer to Thermal System Selection (pages 210-211)	<b>05</b> 5 Feet	<b>W02</b> Brass <b>W05</b> 304 SS <b>W06</b> 316 SS
	<b>10</b> 10 Feet			} 1/2 NPT	
	<b>15</b> 15 Feet				
	<b>20</b> 20 Feet			} 3/4 NPT	
	<b>20 Feet Maximum</b>				<b>W12</b> Brass <b>W15</b> 304 SS <b>W16</b> 316 SS

# L84000 Series Electric Contact Controller

CONTROLLERS

All dimensions are nominal. Dimensions in [ ] are in millimeters



## Standard Ranges

Fahrenheit Ranges		Celsius Ranges		Fahrenheit & Celsius Ranges	
Range Code	Range	Range Code	Range	Range Code	Range
105	-100° to 100°F	225	-70° to 40°C	325	-30° to 170°F & -35° to 75°C
125	-30° to 170°F	245	-35° to 75°C	345	50° to 350°F & 10° to 175°C
145	0° to 200°F	265	0° to 115°C	355	50° to 700°F & 10° to 370°C
165	30° to 240°F	295	10° to 175°C		
175	50° to 350°F	305	10° to 370°C		
195	50° to 700°F				
215	200° to 400°F				