

# 500X Series

Dial Sizes thru 12" • Cast Aluminum Case

INDUSTRIAL GAUGES



500XB shown



- ▶ 4 1/2", 6", 8 1/2", 12" Dial Sizes
- ▶ ±0.5% Accuracy
- ▶ Cast Aluminum Case

The Tretrice **500X Series** Industrial Gauge is designed to withstand the most demanding applications of a variety of industries. This pressure gauge has a back flanged, cast aluminum case and stainless steel ring. Wetted parts are either bronze tube with brass socket or stainless steel tube and socket.

- Optional features and case style variations available: Please consult the Options & Accessories Section for details.
- For correct use and application of all pressure gauges, please refer to: Pressure Gauge Standard ASME B40.100.

## Specifications

Models	Wetted Parts
<b>500XB</b>	Bronze tube, brass socket
<b>500XSS</b>	316 stainless steel tube and socket *
<b>Dial Sizes</b>	4 1/2", 6", 8 1/2", 12"
<b>Movement</b>	Stainless steel
<b>Connection</b>	Lower male or lower back male, 1/4 or 1/2 NPT
<b>Case</b>	Cast aluminum, black finished, surface mounted back flanged
<b>Ring</b>	4 1/2", 6", 8 1/2" Dial Size: Friction type, 304 stainless steel  12" Dial Size: Friction type, steel, black finished
<b>Window</b>	Clear glass
<b>Pointer</b>	4 1/2", 6", 8 1/2" Dial Size: Micro adjustable, black finished,  12" Dial Size: Plain, black finished
<b>Dial Face</b>	Aluminum, white background with black graduations and markings
<b>Accuracy</b>	±0.5% Full Scale, ASME B40.100 Grade 2A
<b>Maximum Temperature</b> 250°F (121°C)	
<b>Approximate Shipping Weight</b>	
4 1/2" Dial Size: 2.0 lbs [0.91 kg]	
6" Dial Size: 2.8 lbs [1.27 kg]	
8 1/2" Dial Size: 5.8 lbs [2.63 kg]	
12" Dial Size: 14.6 lbs [6.62 kg]	

\* Ni-Span C tube and 316 stainless steel socket furnished above 10,000 psi.

## HOW TO ORDER

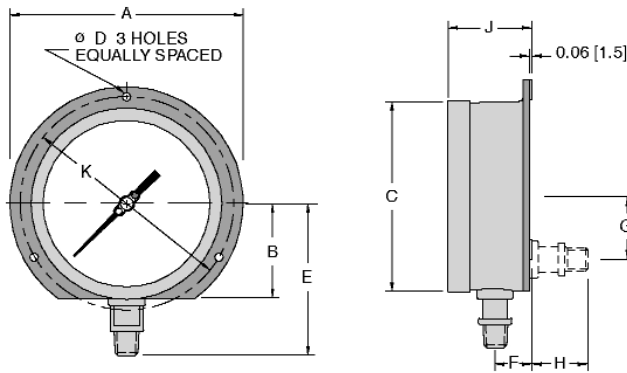
Sample Order Number: **500XB 45 02 L A 110**

Model	Dial Size	Connection Size	Connection Location	Units of Measure	Range Code
<b>500XB</b>	45 4 1/2"	02 1/4 NPT	L Lower	A psi	See Standard Ranges
<b>500XSS</b>	60 6"	04 1/2 NPT	B Back	B kPa	
	85 8 1/2"			C kg/cm <sup>2</sup>	
	12 12"			D psi/kPa	
				E psi & kg/cm <sup>2</sup>	

# 500X Series

## Dial Sizes thru 12" • Cast Aluminum Case

All dimensions are nominal. Dimensions in [ ] are in millimeters.



Dial Size	A	B	C	D	E	F	G	H	J	K
4 1/2"	5.88 [149.7]	2.39 [60.7]	4.79 [121.7]	0.22 [5.6]	3.83 [97.2]	0.94 [23.8]	1.63 [41.3]	1.41 [35.7]	2.06 [52.4]	5.38 [136.5]
6"	7.62 [193.6]	3.14 [79.8]	6.29 [159.8]	0.28 [7.1]	4.70 [119.5]	0.93 [23.8]	1.63 [41.3]	1.41 [35.7]	2.09 [53]	7.00 [177.8]
8 1/2"	10.25 [260.4]	4.38 [111.1]	8.80 [223.4]	0.28 [7.1]	5.81 [147.5]	0.97 [24.6]	1.63 [41.3]	1.41 [35.7]	2.24 [56.8]	9.63 [244.5]
12"	14.25 [362]	N/A	12.66 [321.5]	0.28 [7.1]	7.90 [200.7]	1.02 [25.9]	1.63 [41.3]	1.19 [30.2]	2.53 [64.3]	13.50 [343]

INDUSTRIAL GAUGES

### Standard Ranges

psi Ranges (A)				kPa Ranges (B)				kg/cm <sup>2</sup> Ranges (C)			
Range Code	Specific Range (psi)	Figure Intervals	Minor Divisions	Range Code	Specific Range	Figure Intervals	Minor Divisions	Range Code	Specific Range	Figure Intervals	Minor Divisions
010	30" Hg to 0	5	0.2	010	-100 to 0 kPa	10	1	010	76 cm Hg to 0	10	0.5
020	30" Hg to 15 psi	5/5	0.5/0.2	020	-100 to 100 kPa	20	2	020	76 cm Hg to 1 kg/cm <sup>2</sup>	20/0.2	1/0.2
030	30" Hg to 30 psi	10/5	1/0.5	030	-100 to 200 kPa	50	2	030	76 cm Hg to 2 kg/cm <sup>2</sup>	20/0.5	2/0.2
040	30" Hg to 60 psi	10/10	1/1	040	-100 to 400 kPa	50	5	040	76 cm Hg to 4 kg/cm <sup>2</sup>	25/0.5	5/0.5
050	30" Hg to 100 psi	30/10	2/1	050	-100 to 700 kPa	100	5	050	76 cm Hg to 7 kg/cm <sup>2</sup>	76/1	5/0.1
060	30" Hg to 150 psi	30/20	5/2	060	-100 to 1000 kPa	100	10	060	76 cm Hg to 10 kg/cm <sup>2</sup>	76/1	15/0.1
070	30" Hg to 300 psi	30/50	5/2	070	-100 to 2000 kPa	200	20	070	76 cm Hg to 21 kg/cm <sup>2</sup>	76/2	19/0.2
080	0 to 15 psi	3	0.1	080	0 to 100 kPa	10	1	080	0 to 1 kg/cm <sup>2</sup>	0.1	0.01
090	0 to 30 psi	5	0.2	090	0 to 200 kPa	20	2	090	0 to 2 kg/cm <sup>2</sup>	0.2	0.02
100	0 to 60 psi	10	0.5	100	0 to 400 kPa	50	5	100	0 to 4.2 kg/cm <sup>2</sup>	0.5	0.5
110	0 to 100 psi	10	1	110	0 to 700 kPa	100	5	110	0 to 7 kg/cm <sup>2</sup>	1	0.5
120	0 to 160 psi	20	1	120	0 to 1200 kPa	200	10	120	0 to 11 kg/cm <sup>2</sup>	1	0.1
130	0 to 200 psi	20	2	130	0 to 1500 kPa	300	10	130	0 to 14 kg/cm <sup>2</sup>	2	0.1
140	0 to 300 psi	50	2	140	0 to 2000 kPa	200	20	140	0 to 21 kg/cm <sup>2</sup>	3	0.2
150	0 to 400 psi	50	5	150	0 to 3000 kPa	300	20	150	0 to 28 kg/cm <sup>2</sup>	4	0.2
160	0 to 600 psi	50	5	160	0 to 4000 kPa	500	50	160	0 to 42 kg/cm <sup>2</sup>	6	0.5
180	0 to 1000 psi	100	10	180	0 to 7000 kPa	1000	50	180	0 to 70 kg/cm <sup>2</sup>	10	0.5
Ranges over 1000 psi are not available on 500XB.											
190	0 to 1500 psi	300	10	190	0 to 10,000 kPa	1000	100	190	0 to 100 kg/cm <sup>2</sup>	10	1
200	0 to 2000 psi	200	20	200	0 to 14,000 kPa	2000	100	200	0 to 140 kg/cm <sup>2</sup>	20	1
210	0 to 3000 psi	300	20	210	0 to 20,000 kPa	2000	200	210	0 to 210 kg/cm <sup>2</sup>	30	2
220	0 to 5000 psi	500	50	220	0 to 35,000 kPa	5000	250	220	0 to 350 kg/cm <sup>2</sup>	50	2
230	0 to 10,000 psi	1000	100	230	0 to 60,000 kPa	10,000	500	230	0 to 700 kg/cm <sup>2</sup>	100	10
240	0 to 15,000 psi	2000	100	240	0 to 100,000 kPa	20,000	1000	240	0 to 1000 kg/cm <sup>2</sup>	100	10
250	0 to 20,000 psi	2000	200	250	0 to 140,000 kPa	20,000	1000	250	0 to 1400 kg/cm <sup>2</sup>	200	20

For dual scale ranges, specify the appropriate **Units of Measure: D (psi/kPa) or E (psi & kg/cm<sup>2</sup>)** followed by the equivalent **A (psi) Range Code**. Other pressure ranges are also available including: Altitude, Ammonia, Refrigerant and Receiver. Consult Special Application Ranges section or factory for availability.