

800B

Dry • Black Finished Steel Case

UTILITY GAUGES



800B shown



- ▶ 1 1/2", 2", 2 1/2", 4" Dial Sizes
- ▶ ±1.6% Accuracy
- ▶ Drawn Steel Case

The Trerice **800B** Utility Gauge is designed for general pressure indication requirements. This gauge provides reliable service at an economical cost. Wetted parts are bronze tube and brass socket.

- Optional features and case style variations available: Please consult the Options & Accessories Section for details.
- For correct use and application of all pressure gauges, please refer to: Pressure Gauge Standard ASME B40.100.

Specifications

Model

800B

Dial Sizes 1 1/2", 2", 2 1/2", 4"

Wetted Parts

Bronze tube, brass socket

Movement

Brass

Connection

1 1/2" Dial Size: Lower male or center back male, 1/8 NPT

2", 2 1/2" Dial Size: Lower male or center back male, 1/8 or 1/4 NPT

4" Dial Size: Lower male or center back male, 1/4 NPT

Case

Drawn steel, black finished, stem-mounted flangeless

Window

Acrylic

Pointer

Plain, black finished

Dial Face

Aluminum, white background with black graduations and markings

Accuracy

±1.6% Full Scale

Maximum Temperature

180°F (82°C)

Approximate Shipping Weight

1 1/2" Dial Size:
0.2 lbs [0.09 kg]

2" Dial Size:
0.3 lbs [0.14 kg]

2 1/2" Dial Size:
0.3 lbs [0.14 kg]

4" Dial Size:
0.6 lbs [0.27 kg]

HOW TO ORDER

Sample Order Number: **800B 15 01 B D 110**

Model	Dial Size	Connection Size	Connection Location	Units of Measure	Range Code
800B	15 1 1/2"	01 1/8 NPT	L Lower	A psi	See Standard Ranges
	20 2"	02 1/4 NPT	B Back	D psi/kPa	
	25 2 1/2"				
	40 4"				

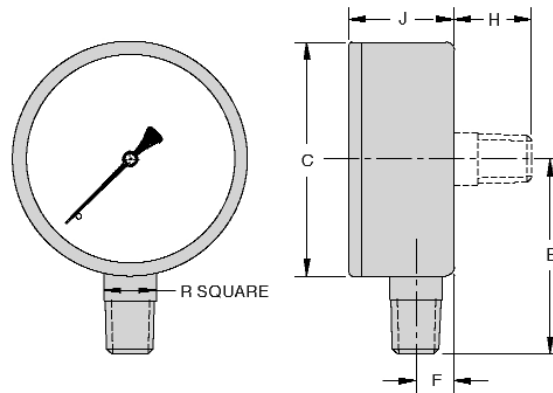
* 1 1/2" dial size available only with 1/8 NPT connection.

800B

All dimensions are nominal. Dimensions in [] are in millimeters.

Dry • Black Finished Steel Case

UTILITY GAUGES



Dial Size	C	E	F	H	J	R
1 1/2" Lower	1.57 [40]	1.54 [39]	0.35 [9]	0.71 [18]	1.02 [26]	0.43 [11]
1 1/2" Back	1.57 [40]	1.54 [39]	0.35 [9]	0.71 [18]	1.14 [29]	0.43 [11]
2"	1.97 [50]	1.93 [49]	0.39 [10]	0.83 [21]	1.14 [29]	0.55 [14]
2 1/2"	2.48 [63]	2.20 [56]	0.39 [10]	0.83 [21]	1.14 [29]	0.55 [14]
4"	3.94 [100]	2.87 [73]	0.39 [10]	N/A	1.14 [29]	0.55 [14]

Standard Ranges

psi Ranges (A)				psi/kPa Ranges (D)					
Range Code	Specific Range	Figure Intervals	Minor Divisions	Range Code	Specific Range	Figure Intervals	Minor Divisions	Figure Intervals	Minor Divisions
010	30" Hg to 0	5	0.5	010	30" Hg to 0 / -100 to 0 kPa	5	0.5	10	2
020	30" Hg to 15 psi	10/5	1/0.5	020	30" Hg to 15 psi / -100 to 100 kPa	10/3	2/0.5	10	5
030	30" Hg to 30 psi	10/5	2/1	030	30" Hg to 30 psi / -100 to 200 kPa	10/5	2/1	50	10
040	30" Hg to 60 psi	10/10	5/2	040	30" Hg to 60 psi / -100 to 400 kPa	10/10	5/2	5	20
050	30" Hg to 100 psi	30/20	5/2	050	30" Hg to 100 psi / -100 to 700 kPa	30/20	5/2	5	20
060	30" Hg to 150 psi	30/30	5/5	060	30" Hg to 150 psi / -100 to 1000 kPa	30/30	5/5	5	50
070	30" Hg to 300 psi	30/30	10/10	070	30" Hg to 300 psi / -100 to 2000 kPa	30/50	5/10	10	50
080	0 to 15 psi	3	0.5	080	0 to 15 psi / 0 to 100 kPa	3	0.5	10	2
090	0 to 30 psi	5	0.5	090	0 to 30 psi / 0 to 200 kPa	5	0.5	20	2
100	0 to 60 psi	10	1	100	0 to 60 psi / 0 to 400 kPa	10	1	50	5
110	0 to 100 psi	10	2	110	0 to 100 psi / 0 to 700 kPa	10	2	100	20
120	0 to 160 psi	20	2	120	0 to 160 psi / 0 to 1100 kPa	20	2	100	20
130	0 to 200 psi	20	2	130	0 to 200 psi / 0 to 1400 kPa	20	2	200	20
140	0 to 300 psi	50	5	140	0 to 300 psi / 0 to 2000 kPa	50	5	200	20
150	0 to 400 psi	50	5	150	0 to 400 psi / 0 to 2800 kPa	50	10	400	40
160	0 to 600 psi	100	10	160	0 to 600 psi / 0 to 4000 kPa	100	20	1000	100
180	0 to 1000 psi	100	20	180	0 to 1000 psi / 0 to 7000 kPa	100	20	1000	200
190	0 to 1500 psi	300	20	190	0 to 1500 psi / 0 to 10,000 kPa	300	20	2000	200
200	0 to 2000 psi	200	20	200	0 to 2000 psi / 0 to 14,000 kPa	200	50	2000	500
210	0 to 3000 psi	500	50	210	0 to 3000 psi / 0 to 20,000 kPa	500	100	5000	500
220	0 to 5000 psi	1000	100	220	0 to 5000 psi / 0 to 35,000 kPa	1000	100	5000	1000