

FPS FLOW SWITCH FOR LIQUIDS



Flow
Pressure
Level
Temperature
measurement
monitoring
control



- **Adjustable Switch Point**
- **Position-Independent Installation**
- **Maximum Pressure 160 PSI/450 PSI**
- **Adjustable Switching Point**
- **Brass and SS Construction**
- **Micro Switch**
- **Maximum Media Temperature: 250°F**

S3



USA

KOBOLD Instruments Inc.
1801 Parkway View Drive
USA-Pittsburgh, PA 15205
☎ +1 412-788-2830
Fax +1 412-788-4890
E-mail: info@koboldusa.com



CANADA

KOBOLD Instruments Canada Inc.
9A Aviation
Pointe-Claire, QC H9R 4Z2
☎ +1 514-428-8090
Fax +1 514-428-8899
E-mail: kobold@kobold.ca

Visit KOBOLD Online at
www.kobold.com

Model:
FPS

KOBOLD FPS flow switches are used wherever reliable control for min. or max. liquid flow is required. The flow switch operates on the paddle-bellows principle. The flowing medium exerts a force on the paddle and thereby actuates a micro switch. The interchangeable paddle, in conjunction with an adjustment screw, allows for a wide variety of switching points and adaptation of the instrument to different pipe sizes.

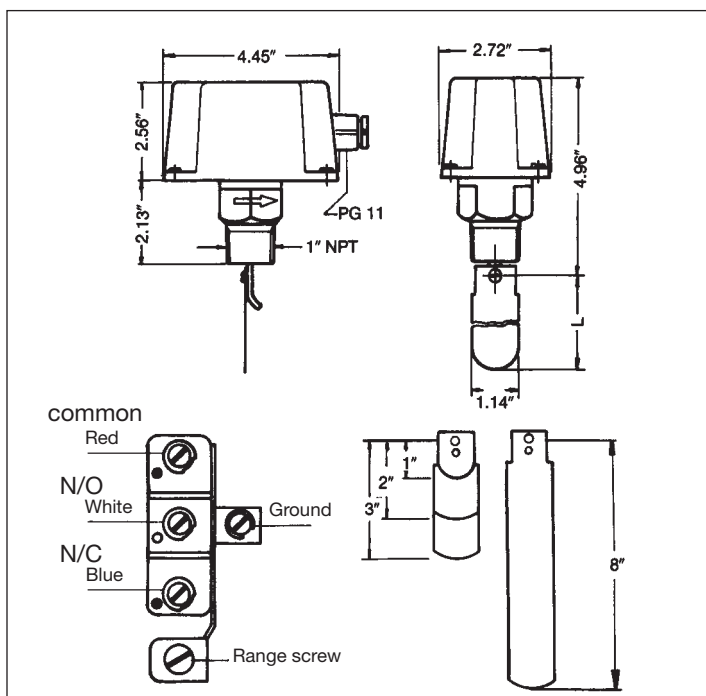
The internals of the instrument are separated from the process by the bellows, making the FPS an excellent choice for dirty media. The FPS-6000 is a special design used with extremely low switching points.

Specifications

Flow media: liquids
Installation: position independent, arrow must point in direction of flow, straight pipe runs of at least 5 x the inner pipe diameter

must be maintained on either side of the instrument.

Fitting: 1" NPT
Max. Pressure: 160 PSI for brass, 450 PSI SS
Materials: Brass or 321 SS
Bellows: Bronze or 321 SS
Paddle: 316 SS
Micro switch: SPDT, 220 V, 8 A, 1700 VA
Housing: NEMA 4
Max. Temp.: 250°F (fluid)
 185°F Ambient



Order Numbers for standard types

Pipe Size	Switching ranges Model FPS-5000 GPM water		Switching ranges Model FPS-6000 GPM water		Model FPS-5000		Model FPS-6000	
	De-Actuating	Actuating	De-Actuating	Actuating	Brass	SS	Brass	SS
1"	2.6- 8.8	4.4- 9.3	0.9- 4.4	2.6- 4.8	FPS-5100	FPS-5200	FPS-6100	FPS-6200
1 1/4"	3.5- 12.3	5.7- 13.2	1.1- 6.2	4.0- 7.0				
1 1/2"	4.8- 16.3	7.5- 17.6	2.2- 8.4	5.3- 9.7				
2"	9.7- 25.1	13.7- 26.9	4.0- 15.9	10.1- 17.6				
2 1/2"	11.9- 28.6	17.6- 30.2	5.3- 21.6	13.7- 24.2				
3"	18.9- 47.1	27.3- 50.2	9.3- 32.6	21.6- 36.1				
4"	50.2-122.0 (26.9- 76.2)	64.7-127.7 (35.2- 81.0)	21.6- 75.3 (14.5-51.0)	49.8- 84.1 (33.9- 57.2)				
5"	100.8-234.7 (41.0-111.0)	125.1-244.8 (56.8-118.0)	16.3-149.7 (22.0- 77.0)	98.6-166.9 (50.6-86.3)				
6"	158.1-360.0 (54.2-134.7)	189.8-385 (74.0-144.0)	59.9-209.6 (26.9- 94.2)	138.7-233.8 (62.1-105.2)				
8"	319.7-729.6 (170 - 400)	374.7-759.5 (204.7-414.8)	113.2-396.7 (95.6-243.5)	262.4-443.4 (160.7-272.1)				

Values in brackets apply when the extra paddle is used, which is to be shortened accordingly for use in pipes 4" to 6" in diameter.