



Deep-Well Probes



measuring
•
monitoring
•
analysing



- Measuring range:
0 - 1 to 0 - 200 m water column
- Linearity:
 $\pm 0.25\%$
- Material: stainless steel,
polyurethane (cable)
- Reliable
- Compact
- Dirt resistant



N2



KOBOLD companies worldwide:

ARGENTINA, AUSTRIA, BELGIUM, CANADA, CHILE, CHINA, COLOMBIA,
CZECHIA, FRANCE, GERMANY, GREAT BRITAIN, INDIA, IRAN, INDONESIA,
ITALY, MALAYSIA, MEXICO, NETHERLANDS, PERU, POLAND, SINGAPORE,
SLOVAKIA, SPAIN, SWITZERLAND, THAILAND, USA, VENEZUELA, VIETNAM

KOBOLD Messring GmbH
Nordring 22-24
D-65719 Hofheim/Ts.
☎ +49 (0) 61 92 299-0
☎ +49 (0) 61 92 233 98
E-Mail: info.de@kobold.com
Internet: www.kobold.com

Model:
NTB



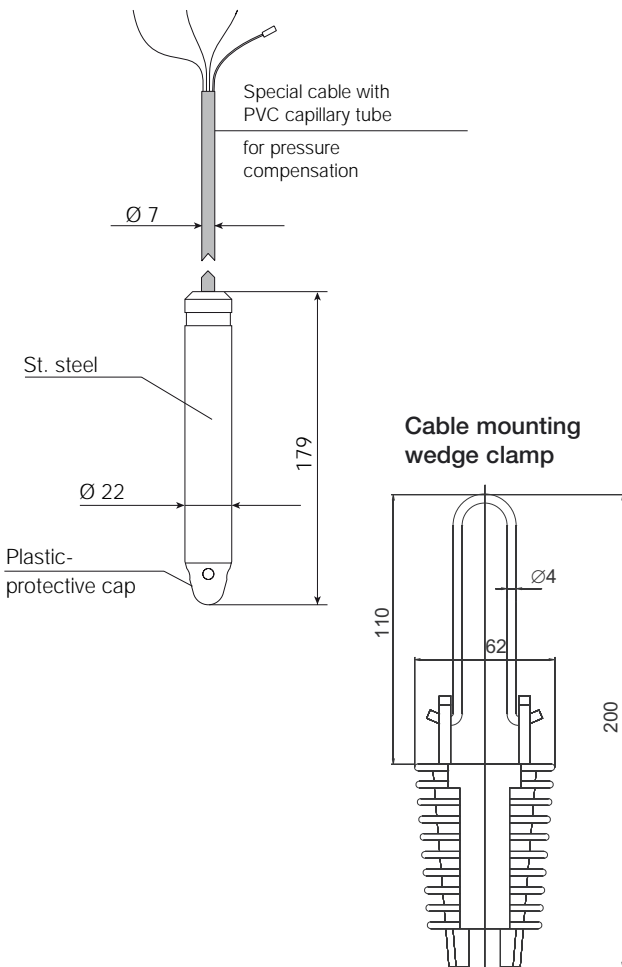
Description

The immersion probe comprises a measuring cell, two-wire transmitter and a special cable with capillary tube. The housing comprises stainless steel with a pressure-sensitive diaphragm that is protected with a plastic cap. The level signal is determined by the pressure difference between the water column over the probe and atmospheric pressure which is transferred to the probe through the capillary tube. This differential pressure is converted to a 4 to 20 mA analogue signal by the piezo-resistive cell and the fitted electronics.

Application

The NTB deep-well probe is used for hydrostatic level measuring in wells, reservoirs, clarification plants and other vessels. Due to its small physical size, it is very easy to install and is ideally suited for protecting submersible pumps in deep wells.

Dimensions, electrical connection



Accessories Model	Order no.
Overvoltage protection Field mounting	NTB-OVP12
Overvoltage Rail mounting	NTB-OVP32
Cable mounting wedge clamp	NTB-NAA209

Technical Details

Hydrostatic sensor

- Measuring range: NTB-1 0 to 200 m water column
- Material/wetted parts
 - Sensor: stainless steel 1.4404
 - Probe: stainless steel 1.4571
 - Cable: polyurethane
 - Sealing: FPM
 - Cup: ABS
- Overload capacity: 3 x measuring range
- Output signal: 4 to 20 mA, 2-wire
- Linearity: ± 0.25 %
- Effects of ambient temperature: ± 0.1 %/10 K
- Auxiliary power: 12...30 V_{DC}
- Load: $R_{min} = \frac{U_t - 12 V}{0.02 A} \Omega$, U_t=auxiliary power
- Protection: IP 68
- Operating temperature: -10°C...+60°C
- Dimensions of probe: Ø 22 x 179 mm
- wire cross-section: 0.34 mm²
- Cable length: up to 300 m (see order details)
- Overvoltage protection
 - NTB-OVP12: field mounting
 - NTB-OVP32: rail DIN 46277-3
- Maximum voltage (peak value)
 - Slow: 90 V pp
 - Fast: 30 V pp
- Series resistor: 13 Ω ±10 %
- Pulse power: 600 W / 1 ms
- Protection: IP 54 (NTB-OVP 12)
IP 20 (NTB-OVP 32)

Order Details (Example: NTB-1301 01)

Deep-well probe		
Meas. range	Order no.	Cable length
1 mWs	NTB-1301...	... 01 = 1 m ... 10 = 10 m ...3H = 300 m ...YY = other
2 mWs	NTB-1302...	
5 mWs	NTB-1305...	
10 mWs	NTB-1310...	
20 mWs	NTB-1320...	
50 mWs	NTB-1350...	
100 mWs	NTB-131H...	
200 mWs	NTB-132H...	
other	NTB-13YY...	