

**SEN
SERIES OEM PRESSURE TRANSMITTER**



Flow
Pressure
Level
Temperature
measurement
monitoring
control

P2



- **Ranges 0-30" Hg Vacuum to 0-7500 PSIG**
- **0.5% or 1.0% of Full Scale Accuracy**
- **4-20 mA, 0-5 VDC or 0-10 VDC Outputs**
- **Ceramic Pressure Sensing System for High Cycle Life**
- **Economical Price for OEM Applications**



USA

KOBOLD Instruments Inc.
1801 Parkway View Drive
USA-Pittsburgh, PA 15205
☎ +1 412-788-2830
Fax +1 412-788-4890
E-mail: info@koboldusa.com



CANADA

KOBOLD Instruments Canada Inc.
9A Aviation
Pointe-Claire, QC H9R 4Z2
☎ +1 514-428-8090
Fax +1 514-428-8899
E-mail: kobold@kobold.ca

Visit KOBOLD Online at
www.kobold.com

Model:
SEN



Features

- Ranges 0-30" Hg Vacuum to 0-7500 PSIG
- 0.5% or 1.0% of Full Scale Accuracy
- 4-20 mA, 0-5 VDC or 0-10 VDC Outputs
- Ceramic Pressure Sensing System for High Cycle Life
- Economical Price for OEM Applications

The SEN series pressure transmitters combine the reliability of a solid state ceramic sensor with an economical price. The SEN series is available in accuracy classes of either ±1.0% or ±0.5% of full scale value. 4-20 mA, 0-5 VDC or 0-10 VDC outputs are available allowing the SEN to interface with virtually any control system. The heart of the SEN is its ceramic piezo-resistive sensing element. Ceramic sensors are known for exceptionally long cycle life with virtually no calibration drift. These features, along with the compact, robust stainless steel package, make the SEN an ideal choice for OEM applications.



SEN Series OEM Pressure Transmitter

Specifications

Measuring Ranges: 0-30" Hg vacuum to 0-7500 PSIG; compound ranges available on request

Accuracy: ±0.5% or ±1.0% of full scale

Compensated Temp. Range: -4 to 185°F

Temperature Drift Zero: < ±0.011%/°F for accuracy = 0.5% < ±0.022%/°F for accuracy = 1.0%

Span: < ±0.016%/°F for accuracy = 0.5% < ±0.011%/°F for accuracy = 1.0%

Stability (annual): < ±0.2% of full scale

Sensor Element: Piezo-resistive ceramic

Operating Temp. Range
Process Medium: -40 to 212°F
Ambient: -40 to 150°F
Storage: -40 to 185°F

Overpressure Ratings
30" Hg to 500 PSIG: 2x Max. range
>500 PSIG: 1.2x Max. range

Process Wetted Parts
Sensing Element: Ceramic
Connection: 304 stainless steel
O-Ring: Buna-N, others available on request

Housing Material: 303 stainless steel

Power Supply: 16-32 VDC
Output: 4-20 mA, 0-5 VDC, 0-10 VDC

Max. Loop Load: (Vsupply-15)/0.02 (for 4-20 mA)

Response Time: <1 ms from 10% to 90% of scale

Electrical Connection: Hirschmann Plug (DIN 43650 A) with PG 11 cable gland

Electrical Protection: NEMA 4/IP 65



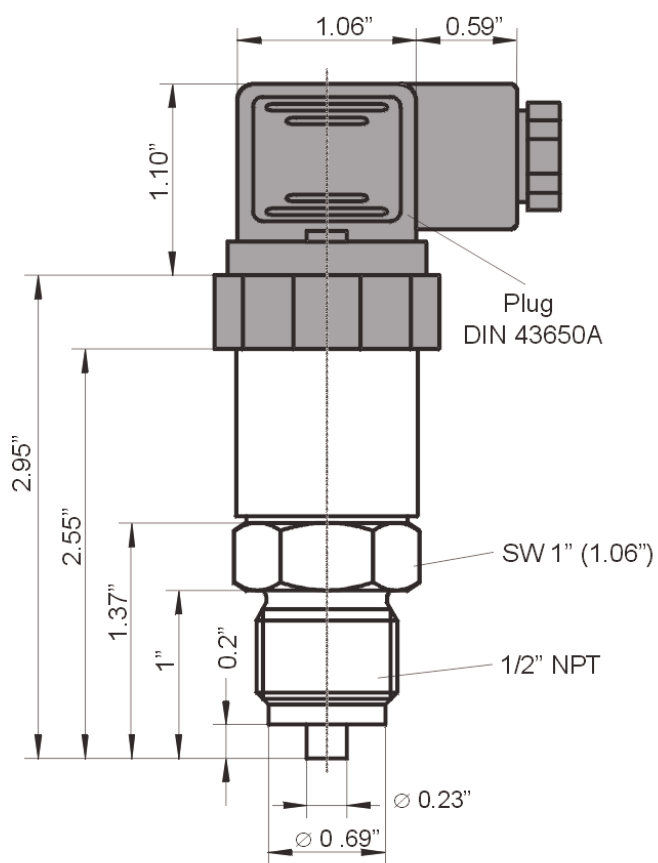
- Ranges 0-30" Hg Vacuum to 0-7500 PSIG
- 0.5% or 1.0% of Full Scale Accuracy
- 4-20 mA, 0-5 VDC or 0-10 VDC Outputs
- Ceramic Pressure Sensing System for High Cycle Life
- Economical Price for OEM Applications

P2

SEN Series Ordering Codes																	
SEN	= OEM Pressure Transmitter																
	<p>Fitting/Accuracy</p> <p>8600N4 = 1/2" NPT/0.5% of full scale</p> <p>8601N4 = 1/2" NPT/1.0% of full scale</p> <p>8700N2 = 1/4" NPT/0.5% of full scale</p> <p>8701N2 = 1/4" NPT/1.0% of full scale</p>																
	<p>Output Type</p> <p>0 = 4-20 mA (standard)</p> <p>1 = 0-5 VDC (10 piece Min. Order)</p> <p>2 = 0-10 VDC</p>																
	<p>Range</p> <p>Available Measuring Ranges</p> <table border="0"> <tr> <td>H315 = -30" to 0" Hg</td> <td>P095 = 350 PSIG</td> </tr> <tr> <td>P025 = 15 PSIG</td> <td>P100 = 500 PSIG</td> </tr> <tr> <td>P045 = 30 PSIG</td> <td>P115 = 1000 PSIG</td> </tr> <tr> <td>P055 = 50 PSIG</td> <td>P125 = 1450 PSIG</td> </tr> <tr> <td>P065 = 100 PSIG</td> <td>P130 = 2000 PSIG</td> </tr> <tr> <td>P075 = 150 PSIG</td> <td>P140 = 3000 PSIG</td> </tr> <tr> <td>P085 = 200 PSIG</td> <td>P150 = 5000 PSIG</td> </tr> <tr> <td>P090 = 300 PSIG</td> <td>P170 = 7500 PSIG</td> </tr> </table>	H315 = -30" to 0" Hg	P095 = 350 PSIG	P025 = 15 PSIG	P100 = 500 PSIG	P045 = 30 PSIG	P115 = 1000 PSIG	P055 = 50 PSIG	P125 = 1450 PSIG	P065 = 100 PSIG	P130 = 2000 PSIG	P075 = 150 PSIG	P140 = 3000 PSIG	P085 = 200 PSIG	P150 = 5000 PSIG	P090 = 300 PSIG	P170 = 7500 PSIG
H315 = -30" to 0" Hg	P095 = 350 PSIG																
P025 = 15 PSIG	P100 = 500 PSIG																
P045 = 30 PSIG	P115 = 1000 PSIG																
P055 = 50 PSIG	P125 = 1450 PSIG																
P065 = 100 PSIG	P130 = 2000 PSIG																
P075 = 150 PSIG	P140 = 3000 PSIG																
P085 = 200 PSIG	P150 = 5000 PSIG																
P090 = 300 PSIG	P170 = 7500 PSIG																
	<p>Accessories</p> <p>Part#: REED-P931970100 = DIN 43650 A plug with 1/2" NPT conduit connection</p>																
<p>↓</p> <p>↓</p> <p>↓</p> <p>↓</p>	<p>SEN - 8701N2 - 0 - P065 Example</p>																

DIMENSIONS

SEN-86..



SEN-87..

