



LOW NO_x PREMIX INDUSTRIAL PACKAGED STEAM BOILER

Horizontal Drum Sectional Water Tube
7-25 HP Gas Fired

103L Steam Boilers 7-25 HP

THE PARKER DESIGN

The Parker water tube design offers an extremely efficient, reliable steam boiler built for the long term and ease of maintenance. The Parker design offers many advantages. Compare ours to the competition.

ADVANTAGES

1. Safety

Our ASME tube bundle is extremely flexible and offers a long life with a 25 year warranty against thermal shock. No Parker Boiler has ever been known to experience an internal explosion.

2. Low NO_x System

Parker was the first manufacturer to achieve SCAQMD Rule 1146.2 NO_x Certification. Initial installations began in 1991 and to date thousands of Low NO_x boilers are on-line providing reliable operation for our customers.

3. Durable Low NO_x Burners

Parker heavy duty premix metal fiber burners not only provide the lowest emissions possible but also provide long durable service life.

4. VFD

Variable Speed Blowers for electrical energy savings on 2-Stage or Modulating units (standard over 15HP).

5. Low Cost, Efficient Operation

The staggered tubing design provides a multi-baffled heating sur-

face to increase efficiency. The Premix system offers precise fuel air control for optimum efficiency.

6. Fast Heat-Up

Our boiler requires less than ten minutes to heat up to 100 PSI from a cold start which is a considerable time and fuel saver.

7. Accessible Internal Inspection

Cabinet doors can easily be removed in a matter of minutes, making the internal boiler, drum, tubes, and burners readily accessible. Easy to remove gasketed access plugs are provided at both ends of every tube. Boiler inspections can be accomplished quickly and at low costs.

8. Ease of Inspection and Repair

Any boiler may eventually require re-tubing depending on care and operating conditions. Re-tubing does not require special tools, skills or welding as is necessary on most boilers designed with rolled tubes.



Low NO_x Premix Industrial Packaged Steam Boiler

Pressures to 250 PSI



SCAQMD Certified to 1146.2

PARKER BOILER CO.
5930 Bandini Boulevard
Los Angeles, CA 90040
Tel (323) 727-9800
Fax (323) 722-2848
www.parkerboiler.com

BROCHURE 103L 0E7

"Never a Compromise for Quality or Safety"



LOW NO_x PREMIX INDUSTRIAL PACKAGED STEAM BOILER

Horizontal Drum Sectional Water Tube
7-25 HP Gas Fired



103L Steam Boilers 7-25 HP

Safety Valve

Horizontal steam drum extra heavy seamless 1/2" thick steel, over 60,000 PSI tensile strength

Drum inspection openings both heads

Easy to remove access plugs on each end of the tube

Sectional tubes removable by disconnecting two unions

Tubes: 1-5/16" OD, heavy 1/8" thickness, double welded to headers

Premix blower/mixer

Pressure gauge

Secondary, M.R. probe type low water cutoff

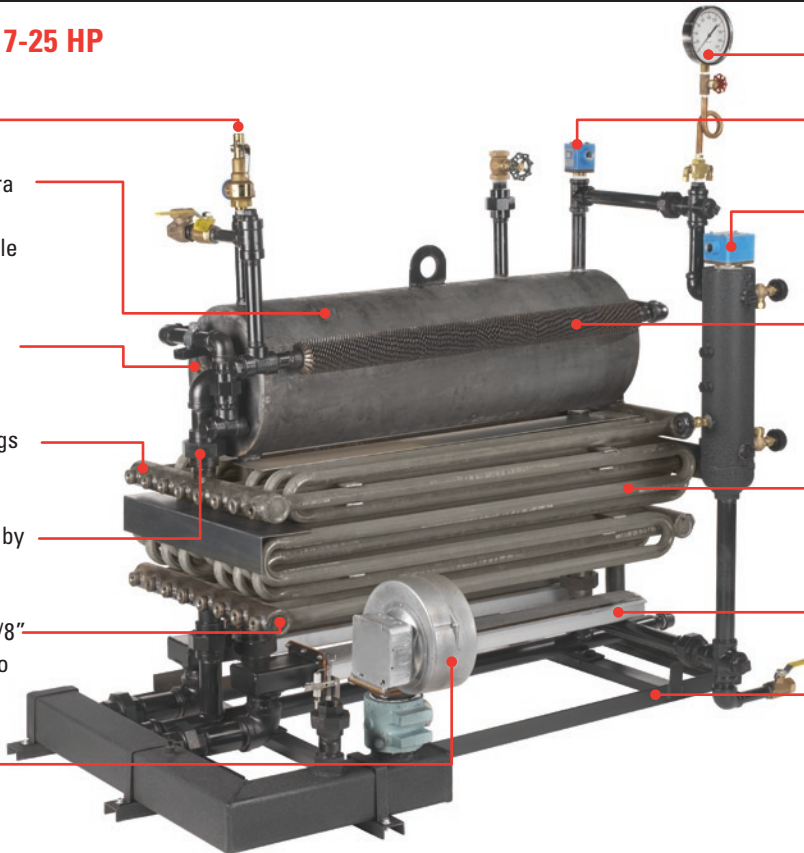
Water level pump control & primary low water cutoff

Pre-heater

Staggered tubes flexibly designed for free expansion and contraction provide 8-pass self-baffled heating surface

Efficient Parker premix metal-fiber gas burners provide high combustion efficiency and uniform heat distribution

Heavy Steel Boiler frame for setting on concrete floor



THE PARKER DESIGN

A time proven product backed by one of the largest and most successful manufacturers of packaged steam boilers whose name is synonymous with quality and safety. Every boiler is thoroughly factory fire tested and is required to meet the highest standards in all places of mechanical and operating efficiency before shipment.

9. Codes

All boilers are built in accordance with the ASME Power & Heating Boiler Codes, Sections I & IV. Boilers above 15 PSI are furnished with the "S" Stamp and Trim. Boilers for 15 PSI are normally furnished with the "H" Stamp and Trim. All Boilers are inspected

and registered with the National Board of Boiler and Pressure Vessel Inspectors. All individual gas and electrical controls are Certified or UL Listed. All Low NO_x, outdoor, propane and natural gas fired models are ETL Listed as "Industrial and Commercial Gas Fired Packaged Boilers" and certified to UL795.

All units are provided with trim and controls to meet ASME CSD-1 standards for "Controls & Safety Devices for Automatically Fired Boilers". In addition, all units also meet the standards of the International Conference of Building Officials, the International Association of Mechanical & Plumbing Officials and the Uniform Mechanical Code.



Parker's Premix Metal Fiber Burner System

Shown burning and achieving better than 12ppm NO_x. Standard units achieve 20-30ppm NO_x as required by SCAQMD.



"Never a Compromise for Quality or Safety"

PARKER BOILER CO.
5930 Bandini Boulevard
Los Angeles, CA 90040
Tel (323) 727-9800
Fax (323) 722-2848
www.parkerboiler.com

BROCHURE 103L 0E7