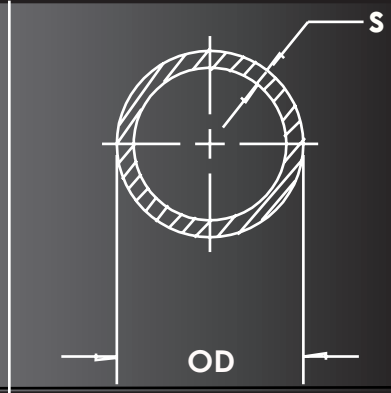
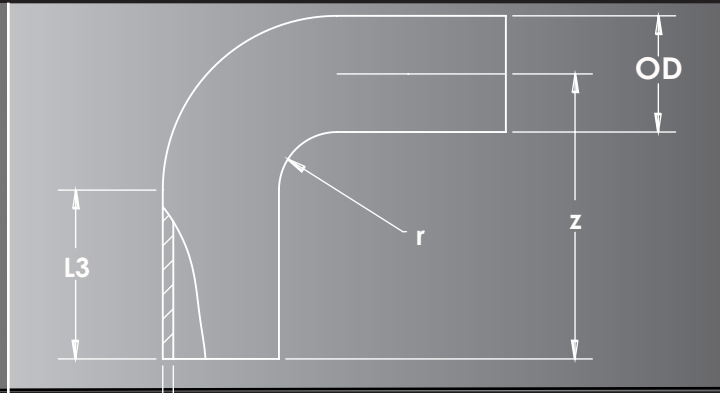
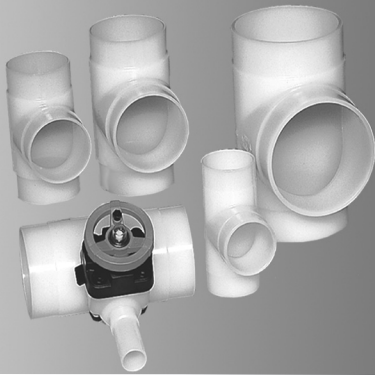


# Industrial Piping Systems Dimensional Guide #SPDIM

**-Super Proline<sup>®</sup>  
Chemical Grade PVDF**



**Another  
Corrosion  
Problem  
Solved.<sup>™</sup>**



[www.asahi-america.com](http://www.asahi-america.com)

*Dimensions subject to change without notice, consult Asahi/America Engineering Department for critical dimensions.*

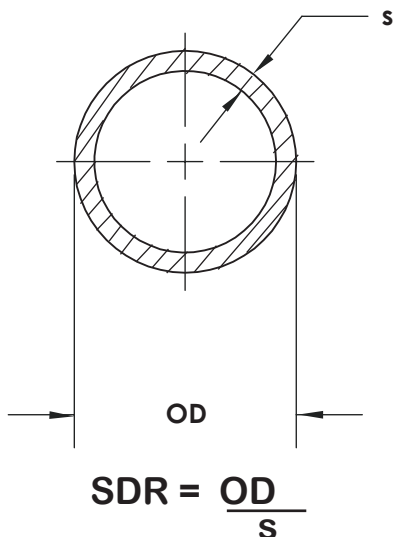
## Super Proline® Dimensional Guide

Super Proline®  
Chemical Grade PVDF

### Note to this Guide:

All the systems are metric sized based on Standard Dimension Ratio or SDR pipe sizes. All systems, regardless of material, maintain a constant pipe and fitting OD. Imperial (inch) ODs are provided as nominal sizes only.

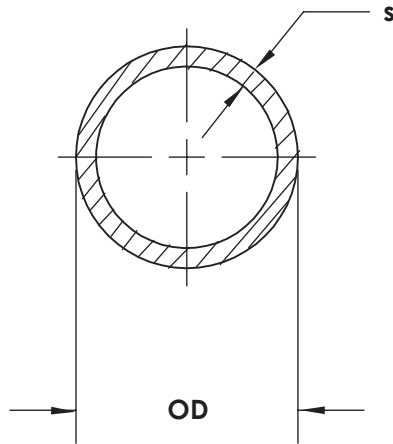
Within the SDR System, nominal pressure ratings vary according to material but not OD. Pressure ratings generally remain constant within material and SDR classification. For example: all SDR21 PVDF pipe and fittings are rated to 16 bar or 230psi. Exceptions, if any, may be found in cases where valves or threads carry ratings independent of SDR sizing.



### Size Comparison of Common Process Piping Systems

Nominal Pipe Size	SDR11		SDR21		SDR33		SCH40		SCH80		SS Tube	
	OD (INCH)	ID (INCH)	OD (INCH)	ID (INCH)	OD (INCH)	ID (INCH)	OD (INCH)	ID (INCH)	OD (INCH)	ID (INCH)	OD (INCH)	ID (INCH)
1/2	0.787	0.591	0.787	0.644	-	-	0.840	0.622	0.840	0.546	0.50	0.37
3/4	0.984	0.766	0.984	0.830	-	-	1.050	0.82	1.050	0.742	0.75	0.62
1	1.260	1.020	1.260	1.071	-	-	1.315	1.049	1.315	0.957	1.00	0.87
1-1/4	1.575	1.288	1.575	1.381	-	-	1.660	1.380	1.660	1.278	-	-
1-1/2	1.969	1.611	1.969	1.734	-	-	1.900	1.610	1.900	1.500	1.50	1.37
2	2.480	2.029	2.480	2.244	-	-	2.375	2.067	2.375	1.939	2.00	1.87
2-1/2	2.953	2.416	2.953	2.672	-	-	2.875	2.469	2.875	2.323	2.50	2.37
3	3.543	2.899	3.543	3.206	3.543	3.329	3.500	3.068	3.500	2.900	3.00	2.87
4	4.331	3.543	4.331	3.918	4.331	4.068	4.500	4.026	4.500	3.826	4.00	3.84
6	6.299	5.154	6.299	5.699	6.299	5.917	6.625	6.065	6.625	5.761	6.00	5.78
8	7.874	6.442	7.874	7.124	7.874	7.397	8.625	7.981	8.625	7.625	-	-
9	8.858	7.248	8.858	8.015	8.858	8.321	-	-	-	-	-	-
10	9.843	8.053	9.843	8.905	9.843	9.246	10.75	10.020	10.75	9.564	-	-
12	12.402	10.147	12.402	11.220	12.402	11.650	12.75	11.938	12.75	11.376	-	-

Super Proline®  
Chemical Grade PVDF

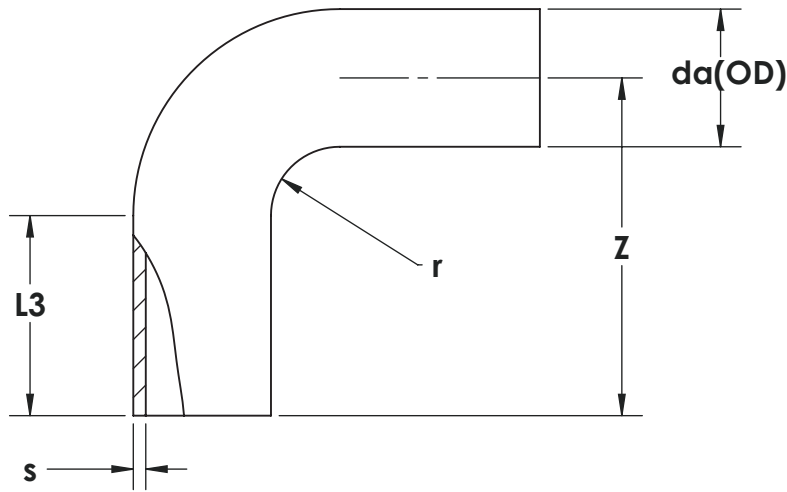


Pipe 5 meter-16.4' length

OD		SDR 21 / PN 16 / 230 PSI				SDR 33 / PN 10 / 150 PSI			
mm	inch	OD	s	Weight (lbs/m)	Asahi P/N	OD	s	Weight (lbs/m)	Asahi P/N
20	1/2	0.787	0.075	0.463	5901005	-	-	-	-
25	3/4	0.984	0.075	0.595	5901007	-	-	-	-
32	1	1.260	0.094	0.970	5901010	-	-	-	-
40	1-1/4	1.575	0.094	1.213	5401012	-	-	-	-
50	1-1/2	1.969	0.118	1.874	5901015	-	-	-	-
63	2	2.480	0.118	2.403	5901020	-	-	-	-
75	2-1/2	2.953	0.142	3.418	5901025	-	-	-	-
90	3	3.543	0.169	4.895	5903030	3.543	0.110	3.263	5901030
110	4	4.331	0.209	7.321	5003040	4.331	0.134	4.851	5901040
160	6	6.299	0.303	15.347	5903060	6.299	0.193	10.011	5901060
200	8	7.874	0.378	23.682	5903080	7.874	0.244	15.854	5901080
225	9	8.858	0.425	30.142	5903090	8.858	0.272	19.735	5901090
250	10	9.843	0.469	36.890	5903100	9.843	0.303	24.453	5901100
315	12	12.402	-	-	-	12.402	0.382	38.698	5901120

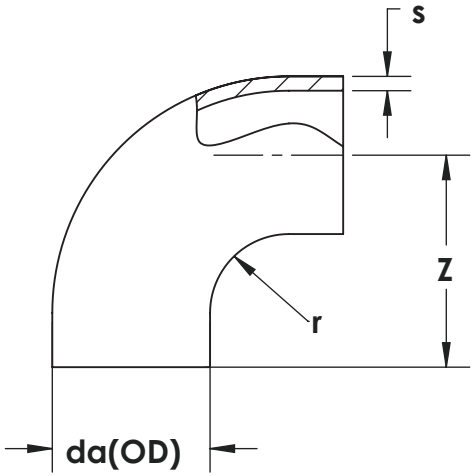
Pipe & Fitting OD size is metric, inch OD provided as nominal size only  
 PN10/150psi & PN16/230psi pressure rating

Super Proline®  
 Chemical Grade PVDF



Extended Leg 90° Elbow

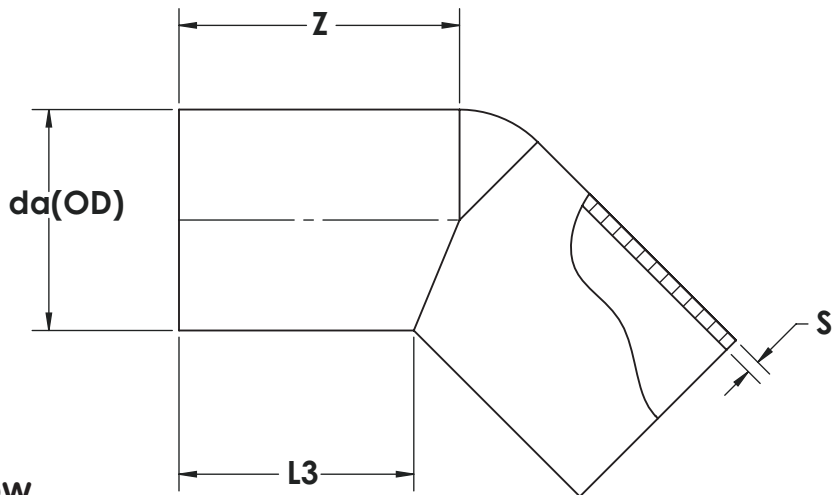
OD		Dimensions			SDR 21 / PN 16 / 230 PSI			SDR 33 / PN 10 / 150 PSI		
mm	inch	z	r	L3	s	Weight (lbs)	Asahi P/N	s	Weight (lbs)	Asahi P/N
20	1/2	2.008	0.787	1.299	0.075	0.040	5902005	-	-	-
25	3/4	2.205	0.984	1.299	0.075	0.090	5902007	-	-	-
32	1	2.480	1.260	1.299	0.094	0.110	5902010	-	-	-
40	1-1/4	2.835	1.575	1.417	0.094	0.180	5902012	-	-	-
50	1-1/2	3.307	1.969	1.417	0.118	0.290	5902015	-	-	-
63	2	3.819	2.480	1.378	0.118	0.440	5902020	-	-	-
75	2-1/2	3.937	2.953	1.102	0.142	0.660	5902025	-	-	-
90	3	4.843	3.543	1.339	0.169	1.150	5902030	0.110	0.860	5929030
110	4	5.591	4.331	1.339	0.209	2.030	5902040	0.134	1.040	5929040



90° Elbow

OD		Dimensions			SDR 21 / PN 16 / 230 PSI			SDR 33 / PN 10 / 150 PSI		
mm	inch	z	r	s	Weight (lbs)	Asahi P/N	s	Weight (lbs)	Asahi P/N	
160	6	7.131	6.186	0.303	4.50	5910060	0.193	3.26	5907060	
200	8	8.550	7.722	0.378	8.38	5910080	0.244	6.08	5907080	
225	9	9.574	8.865	0.426	11.77	5910090	0.272	8.25	5907090	
250	10	11.308	9.850	0.469	18.10	5910100	0.303	12.63	5907100	
315	12	13.317	11.820	-	-	-	0.382	22.27	5907120	

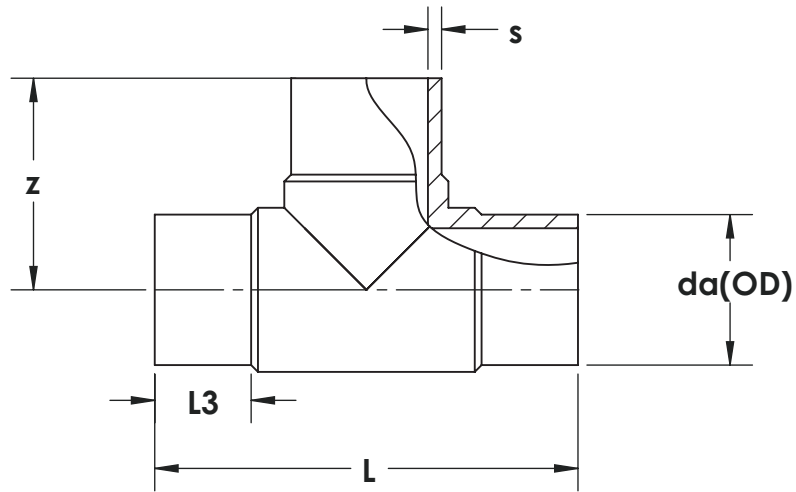
Super Proline®  
Chemical Grade PVDF



45° Elbow

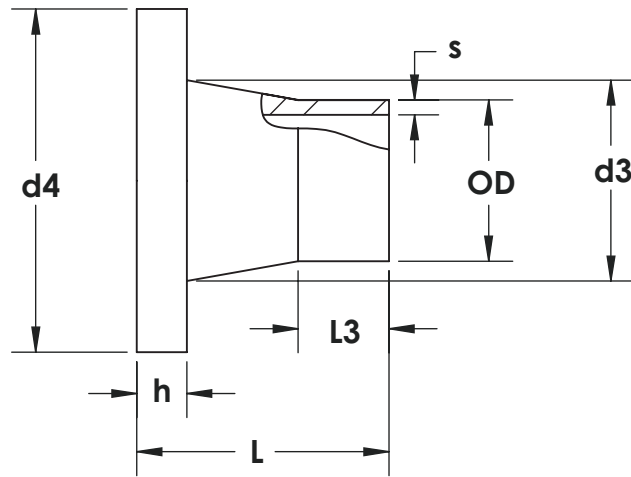
OD		Dimensions		SDR 21 / PN 16 / 230 PSI			SDR 33 / PN 10 / 150 PSI		
mm	inch	z	L3	s	Weight (lbs)	Asahi P/N	s	Weight (lbs)	Asahi P/N
20	1/2	1.694	1.537	0.075	0.04	5914005	-	-	-
25	3/4	1.773	1.576	0.075	0.07	5914007	-	-	-
32	1	2.049	1.812	0.095	0.11	5914010	-	-	-
40	1-1/4	2.285	1.970	0.095	0.18	5914012	-	-	-
50	1-1/2	2.600	2.206	0.118	0.29	5914015	-	-	-
63	2	2.955	2.443	0.118	0.37	5914020	-	-	-
75	2-1/2	1.891	1.261	0.142	0.31	5914025	-	-	-
90	3	2.325	1.418	0.169	0.57	5916030	0.110	0.37	5914030
110	4	2.679	1.773	0.209	1.06	5916040	0.134	0.71	5914040
160	6	4.058	2.561	0.303	3.19	5916060	0.193	2.18	5914060
200	8	6.000	4.375	0.378	7.29	5916080	0.244	4.88	5914080
225	9	6.000	4.000	0.425	9.27	5916090	0.272	6.07	5914090
250	10	6.000	5.500	0.469	11.35	5916100	0.303	7.52	5914100
315	12	-	-	-	-	5916120	0.382	15.88	5914120

Super Proline®  
 Chemical Grade PVDF



**Tee**

OD		Dimensions			SDR 21 / PN 16 / 230 PSI			SDR 33 / PN 10 / 150 PSI		
mm	inch	z	L	L3	s	Weight (lbs)	Asahi P/N	s	Weight (lbs)	Asahi P/N
20	1/2	1.378	2.756	0.591	0.075	0.04	5918005	-	-	-
25	3/4	1.575	3.150	0.591	0.075	0.09	5918007	-	-	-
32	1	1.772	3.504	0.669	0.094	0.13	5918010	-	-	-
40	1-1/4	1.969	3.937	0.630	0.094	0.20	5918012	-	-	-
50	1-1/2	2.362	4.724	0.906	0.118	0.35	5018015	-	-	-
63	2	2.953	5.866	1.102	0.118	0.57	5918020	-	-	-
75	2-1/2	3.425	6.850	1.102	0.142	0.88	5918025	-	-	-
90	3	3.622	7.126	1.299	0.169	1.39	5921030	0.110	1.04	5918030
110	4	4.331	8.780	1.299	0.209	2.54	5921040	0.134	2.07	5918040
160	6	5.512	10.984	1.772	0.303	5.82	5921060	0.193	4.19	5918060
200	8	8.780	17.559	3.504	0.378	16.16	5921080	0.244	12.57	5918080
225	9	9.843	19.606	3.898	0.425	20.55	5921090	0.272	15.12	5918090
250	10	9.843	19.685	3.150	0.469	25.14	5921100	0.303	18.96	5918100
315	12	10.827	21.850	3.150	-	-	-	0.382	29.99	5918120



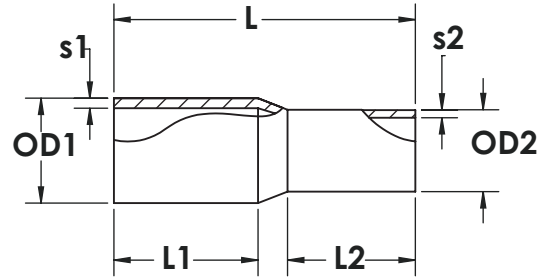
Stub End\* (Flange Adapter)

OD		Dimensions					SDR 21 / PN 16 / 230 PSI			SDR 33 / PN 10 / 150 PSI		
mm	inch	h	L	L3	d3	d4	s	Weight (lbs)	Asahi P/N	s	Weight (lbs)	Asahi P/N
20	1/2	0.236	1.970	1.221	1.064	1.773	0.075	0.07	5930005	-	-	-
25	3/4	0.256	1.969	1.181	1.299	2.283	0.075	0.11	5930007	-	-	-
32	1	0.276	1.969	1.024	1.575	2.677	0.094	0.15	5930010	-	-	-
40	1 1/4	0.315	1.969	0.866	1.969	3.071	0.094	0.20	5930012	-	-	-
50	1-1/2	0.354	1.969	0.866	2.402	3.307	0.118	0.29	5930015	-	-	-
63	2	0.394	1.969	0.709	2.953	3.898	0.118	0.37	5930020	-	-	-
75	2-1/2	0.433	1.969	0.709	3.504	4.685	0.142	0.57	5930025	-	-	-
90	3	0.433	3.150	1.299	4.134	5.079	0.169	0.90	5970030	0.110	0.79	5930030
110	4	0.472	3.150	1.496	4.921	6.063	0.209	1.19	5970040	0.134	1.06	5930040
160	6	0.709	3.150	1.339	6.890	8.346	0.303	2.38	5970060	0.193	2.09	5930060
200	8	0.945	3.937	1.417	9.134	10.433	0.378	6.26	5970080	0.244	4.12	5930080
250	10	0.984	3.937	1.378	11.220	12.598	0.469	7.69	5970100	0.303	6.48	5930100
315	12	0.787	3.937	1.575	13.189	14.570	-	-	5970120	0.382	7.28	5930120

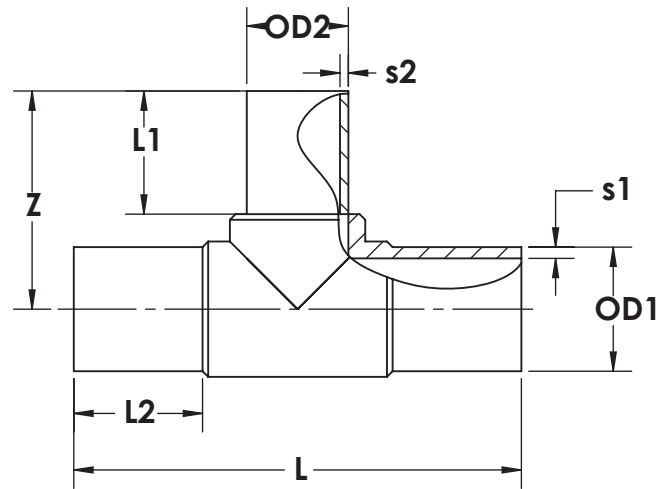
\*Requires backing ring.



Extended Leg  
Concentric Reducer



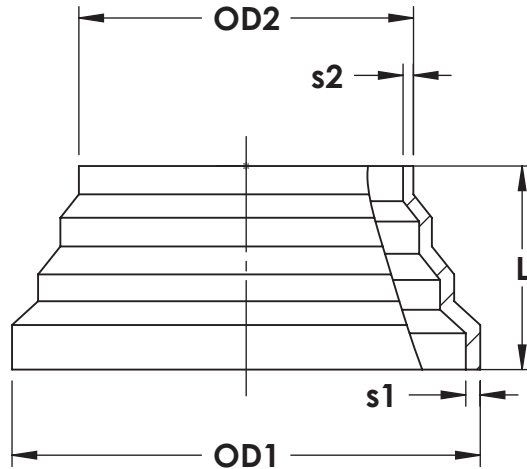
OD		Dimensions					SDR 21 / PN 16 / 230 PSI	
mm	inch	L	L1	L2	s1	s2	Weight (lbs)	Asahi P/N
25/20	3/4 x 1/2	1.970	0.788	0.788	0.075	0.075	0.07	5924101
32/20	1 x 1/2	1.970	0.729	0.749	0.095	0.075	0.04	5924130
32/25	1 x 3/4	1.970	0.788	0.788	0.095	0.075	0.04	5924131
40/20	1-1/4 x 1/2	2.167	0.788	0.788	0.095	0.075	0.13	5924166
40/25	1-1/4 x 3/4	2.167	0.788	0.788	0.095	0.075	0.07	5924167
40/32	1-1/4 x 1	2.167	0.788	0.788	0.095	0.106	0.15	5924168
50/20	1-1/2 x 1/2	2.364	0.906	0.788	0.118	0.075	0.09	5924208
50/25	1-1/2 x 3/4	2.364	0.946	0.788	0.118	0.075	0.09	5924210
50/32	1-1/2 x 1	2.364	0.985	0.788	0.118	0.095	0.18	5924211
50/40	1-1/2 x 1-1/4	2.364	0.985	0.867	0.118	0.095	0.11	5424212
63/25	2 x 3/4	2.955	0.985	0.788	0.075	0.075	0.11	5924248
63/32	2 x 1	2.561	0.985	0.709	0.118	0.095	0.13	5924249
63/40	2 x 1-1/4	2.561	1.024	0.867	0.118	0.095	0.13	5924250
63/50	2 x 1-1/2	2.561	0.985	0.946	0.118	0.118	0.15	5924251
75/50	2-1/2 x 1-1/2	5.831	2.482	2.246	0.142	0.118	0.46	5924291
75/63	2-1/2 x 2	5.871	2.561	2.364	0.142	0.118	0.46	5924292
90/50	3 x 1-1/2	3.546	1.182	0.985	0.118	0.118	0.26	5924332
90/63	3 x 2	6.304	2.758	2.325	0.169	0.118	0.57	5924338
90/75	3 x 2-1/2	6.383	2.955	2.443	0.169	0.142	0.66	5924339
110/63	4 x 2	4.058	3.270	2.246	0.209	0.118	0.53	5924420
110/90	4 x 3	7.092	3.113	2.837	0.209	0.169	1.17	5924422
140/63	5 x 2	5.240	1.576	1.103	0.264	0.118	1.14	TBD
140/110	5 x 4	4.334	1.655	1.576	0.264	0.209	1.19	TBD
160/110	6 x 4	9.062	3.743	3.507	0.303	0.209	2.73	5924532
160/140	6 x 5	8.904	3.743	3.782	0.303	0.264	3.28	TBD
225/160	9 x 6	6.304	1.261	1.379	0.426	0.303	7.05	5924606
250/160	10 x 6	7.053	1.418	1.418	0.469	0.303	4.96	5924627
250/225	10 x 8	7.092	1.694	1.103	0.469	0.426	4.63	5924629
OD		Dimensions					SDR 33 x SDR 21 / PN 10 x 16 / 150 x 230 PSI	
mm	inch	L	L1	L2	s1	s2	Weight (lbs)	Asahi P/N
90/63	3 x 2	6.304	2.758	2.325	0.110	0.118	0.506	5994338
110/63	4 x 2	4.058	3.270	2.246	0.134	0.118	0.440	5994420
160/110	6 x 4	9.062	3.743	3.507	0.193	0.209	2.420	5994532
OD		Dimensions					SDR 33 / PN 10 / 150 PSI	
mm	inch	L	L1	L2	s1	s2	Weight (lbs)	Asahi P/N
110/90	4 x 3	7.092	3.113	2.837	0.134	0.106	1.04	5997422
160/110	6 x 4	9.062	3.743	3.507	0.193	0.134	3.09	5997532
225/160	9 x 6	6.304	1.261	1.379	0.272	0.193	2.54	5997606
250/160	10 x 6	7.053	1.418	1.418	0.303	0.193	3.53	5997627
250/225	10 x 8	7.092	1.694	1.103	0.303	0.272	4.08	5997629
315/160	12 x 6	7.092	1.655	1.458	0.382	0.193	11.02	5997659
315/250	12 x 10	7.092	1.655	1.458	0.382	0.303	11.02	5997630



Reducing Tee

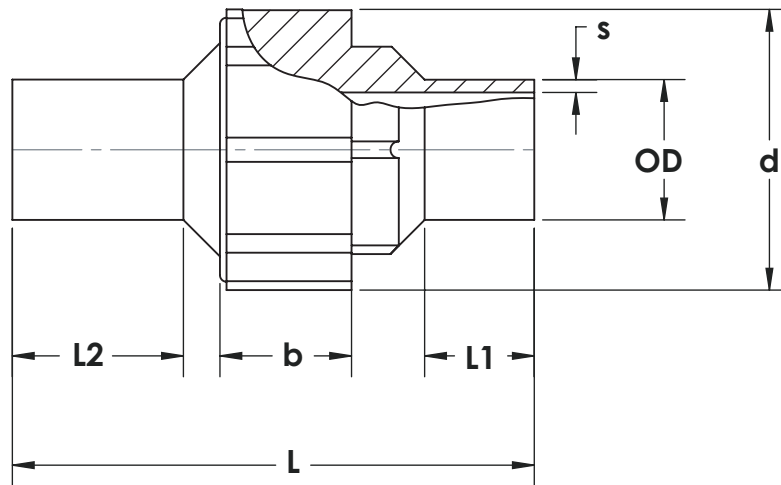
OD		Dimensions						SDR 21 / PN 16 / 230 PSI	
mm	inch	z	L	L1	L2	s1	s2	Weight (lbs)	Asahi P/N
63/32	2 x 1	2.913	5.866	1.102	1.063	0.118	0.094	0.49	5922249
90/63	3 x 2	5.079	10.354	2.953	2.559	0.169	0.118	1.72	5922338
110/63	4 x 2	5.906	12.283	3.346	2.559	0.209	0.118	2.78	5922420
110/90	4 x 3	5.906	12.323	3.425	2.953	0.209	0.169	3.02	5922422
160/63	6 x 2	6.890	13.228	3.937	2.559	0.303	0.118	6.02	5922530
160/90	6 x 3	7.205	13.701	3.819	2.756	0.303	0.169	6.28	5922531
160/110	6 x 4	7.283	13.583	3.780	3.189	0.303	0.209	6.50	5922532
OD		Dimensions						SDR 33 X SDR 21 / PN 10 X 16 / 150 X 230 PSI	
mm	inch	z	L	L1	L2	s1	s2	Weight (lbs)	Asahi P/N
90/63	3 x 2	5.079	10.354	2.953	2.559	0.110	0.118	1.28	5920338
110/63	4 x 2	5.906	12.402	3.346	2.559	0.134	0.118	2.03	5920420
160/63	6 x 2	6.890	13.583	3.937	2.559	0.193	0.118	4.23	5920530
160/90	6 x 3	7.205	13.701	3.819	2.756	0.193	0.169	5.56	5920531
160/110	6 x 4	7.283	13.661	3.780	3.189	0.193	0.209	4.72	5920532
OD		Dimensions						SDR 33 / PN 10 / 150 PSI	
mm	inch	z	L	L1	L2	s1	s2	Weight (lbs)	Asahi P/N
110/90	4 x 3	5.906	12.323	3.425	2.953	0.134	0.110	6.50	5931422
160/90	6 x 3	7.205	13.701	3.780	2.756	0.193	0.110	4.37	5931531
160/110	6 x 4	7.283	13.740	3.819	3.150	0.193	0.134	5.95	5931532

Super Proline®  
 Chemical Grade PVDF



**Stepped Concentric Reducer**

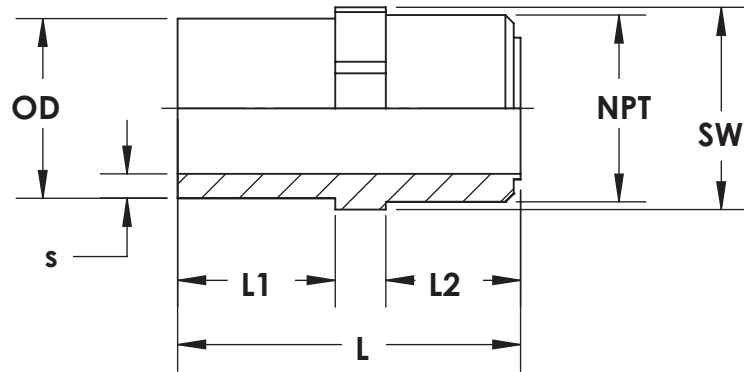
OD		Dimensions			SDR 21 / PN 16 / 230 PSI		SDR 33 / PN 10 / 150 PSI	
mm	inch	L	s1	s2	Weight (lbs)	Asahi P/N	Weight (lbs)	Asahi P/N
110/63	4 x 2	2.559	0.209	0.118	0.35	5938420	0.29	5937420
160/110	6 x 4	3.346	0.193	0.134	-	-	0.73	5937532
225/160	9 x 6	3.819	0.272	0.193	-	-	1.74	5937585
315/225	12 x 9	5.394	0.382	0.272	-	-	4.45	5937670



**Union - FKM**

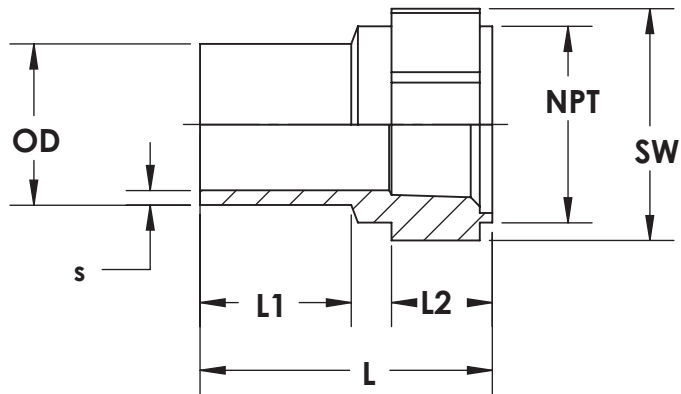
OD		Dimensions						SDR 21 / PN 16 / 230 PSI	
mm	inch	s	L	L1	L2	d	b	Weight (lbs)	Asahi P/N
20	1/2	0.075	4.213	0.945	1.398	1.850	0.945	0.18	5934005
25	3/4	0.075	4.409	0.945	1.437	2.244	1.024	0.26	5934007
32	1	0.094	4.685	0.984	1.547	2.520	1.181	0.37	5934010
40	1-1/4	0.094	4.921	0.984	1.476	3.012	1.220	0.57	5934012
50	1-1/2	0.118	5.118	0.984	1.575	3.504	1.378	0.79	5934015
63	2	0.118	5.354	0.984	1.594	4.291	1.535	1.21	5934020

Super Proline®  
Chemical Grade PVDF



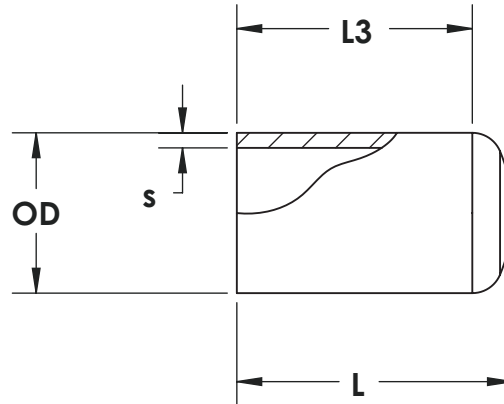
**Male Adapter**

OD		Dimensions						SDR 21 / PN 16 / 230 PSI	
mm	inch	s	L	L1	L2	SW	NPT	Weight (lbs)	Asahi P/N
20	1/2	0.075	1.811	0.787	0.709	0.866	1/2	0.02	5947005
25	3/4	0.075	2.008	0.906	0.787	1.063	3/4	0.04	5947007
32	1	0.094	2.402	1.142	0.906	1.417	1	0.09	5947010
40	1-1/4	0.094	2.598	1.142	1.063	1.811	1-1/4	0.15	5947012
50	1-1/2	0.118	2.913	1.299	1.142	2.165	1-1/2	0.26	5947015
63	2	0.118	3.150	1.378	1.220	2.559	2	0.29	5947020



**Female Adapter**

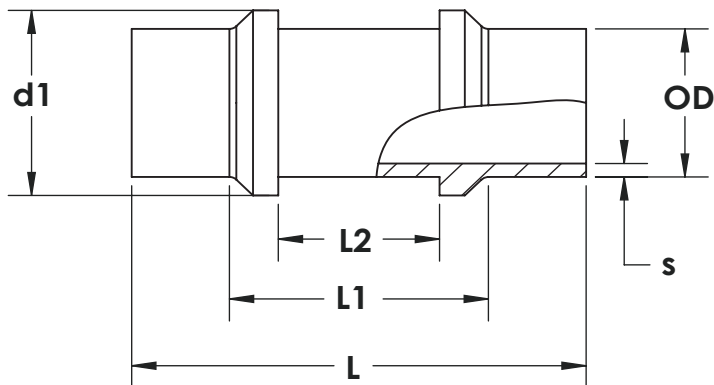
OD		Dimensions						SDR 21 / PN 16 / 230 PSI	
mm	inch	s	L	L1	L2	SW	NPT	Weight (lbs)	Asahi P/N
20	1/2	0.075	1.811	0.787	0.630	1.260	1/2	0.07	5949005
25	3/4	0.075	2.008	0.906	0.709	1.614	3/4	0.11	5949007
32	1	0.094	2.283	1.142	0.787	1.811	1	0.18	5949010
40	1-1/4	0.094	2.441	1.181	0.945	2.165	1-1/4	0.29	5949012
50	1-1/2	0.118	2.677	1.339	0.945	2.756	1-1/2	0.46	5949015
63	2	0.118	2.953	1.378	1.102	3.346	2	0.73	5949020



End Cap

OD		Dimensions		SDR 21 / PN 16 / 230 PSI			SDR 33 / PN 10 / 150 PSI		
mm	inch	L	L3	s	Weight (lbs)	Asahi P/N	s	Weight (lbs)	Asahi P/N
20	1/2	1.773	1.615	0.075	0.02	5943005	-	-	-
25	3/4	1.931	1.615	0.075	0.02	5943007	-	-	-
32	1	2.206	1.773	0.095	0.07	5943010	-	-	-
40	1-1/4	2.522	1.970	0.095	0.09	5943012	-	-	-
50	1-1/2	2.876	2.364	0.118	0.15	5943015	-	-	-
63	2	3.388	2.679	0.118	0.24	5943020	-	-	-
75	2-1/2	3.664	2.955	0.142	0.49	5943025	-	-	-
90	3	4.334	3.310	0.169	0.66	5944030	0.110	0.42	5943030
110	4	4.925	3.901	0.209	1.04	5944040	0.134	0.64	5943040

Super Proline®  
Chemical Grade PVDF



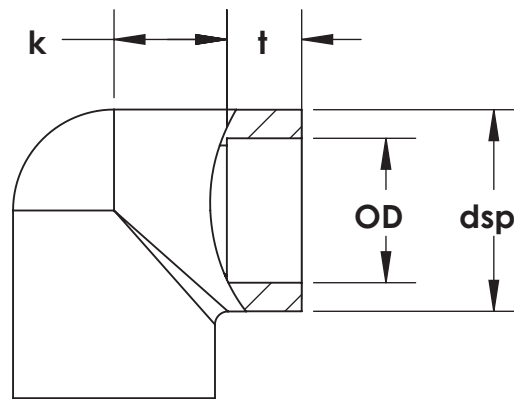
**Restraint Fitting**

OD		Dimensions				SDR 21 / PN 16 / 230 PSI			SDR 33 / PN 10 / 150 PSI		
mm	inch	L	L1	L2	d1	s	Weight (lbs)	Asahi P/N	s	Weight (lbs)	Asahi P/N
32	1	4.724	2.088	1.280	2.126	0.095	0.133	5961010	-	-	-
63	2	4.724	1.970	1.280	3.307	0.118	0.440	5961020	-	-	-
90	3	5.866	2.758	1.575	4.134	0.169	0.97	5961030	0.110	0.75	5971030
110	4	5.906	2.758	1.575	5.000	0.209	1.45	5961040	0.134	1.14	5971040
160	6	6.220	3.940	2.362	7.008	0.303	3.10	5961060	0.193	2.29	5971060

Socket Fittings

Socket fittings are traditionally used in non-high purity applications. Only use socket fittings with SDR 21 pipe.

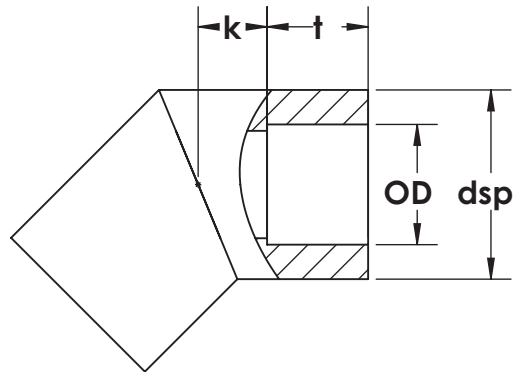
OD		Dimensions		
mm	inch	dsp	t	k
Spigot diameter		OD of fitting	Socket depth	End of spigot to center of fitting



90° Elbow

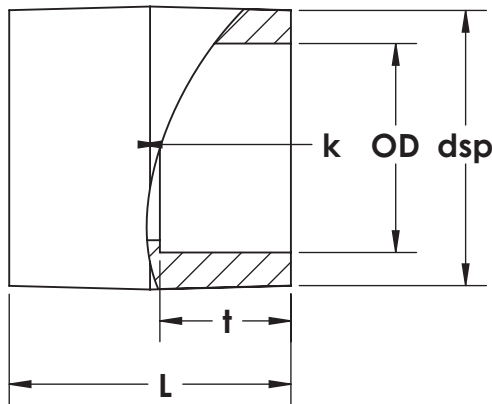
OD		Dimensions			SDR 21 / PN 20 / 230 PSI	
mm	inch	dsp	t	k	Weight (lbs)	Asahi P/N
20	1/2	1.141	0.629	0.590	0.09	5991005
25	3/4	1.377	0.708	0.590	0.13	5991007
32	1	1.692	0.767	0.826	0.22	5991010
40	1-1/4	2.047	0.846	0.984	0.35	5991012
50	1-1/2	2.519	0.964	1.181	0.60	5991015
63	2	3.188	1.102	1.377	1.06	5991020
75	2-1/2	3.622	1.279	1.535	1.30	5991025
90	3	4.448	1.397	1.732	2.40	5991030
110	4	5.236	1.633	2.086	3.42	5991040

Super Proline®  
Chemical Grade PVDF



**45° Elbow**

OD		Dimensions			SDR 21 / PN 20 / 230 PSI	
mm	inch	dsp	t	k	Weight (lbs)	Asahi P/N
20	1/2	1.181	0.630	0.197	0.09	5988005
25	3/4	1.378	0.709	0.236	0.11	5988007
32	1	1.693	0.748	0.276	0.18	5988010
40	1-1/4	2.047	0.846	0.354	0.29	5988012
50	1-1/2	2.520	0.945	0.433	0.46	5988015
63	2	3.189	1.142	0.630	0.79	5988020
75	2-1/2	3.622	1.260	0.630	0.93	5988025
90	3	4.449	1.437	0.748	1.81	5988030
110	4	5.236	1.634	1.063	2.71	5988040



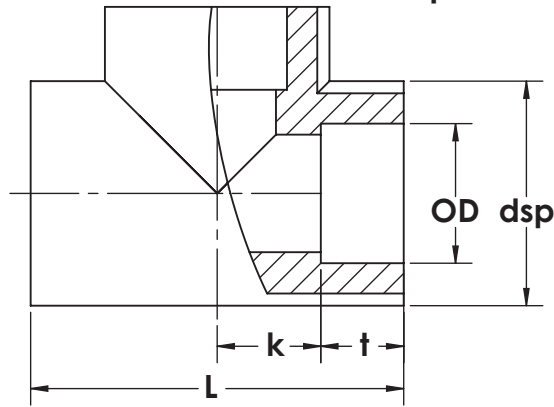
**Coupling**

OD		Dimensions				SDR 21 / PN 20 / 230 PSI	
mm	inch	L	dsp	t	k	Weight (lbs)	Asahi P/N
20	1/2	1.378	1.142	0.610	0.157	0.07	5986005
25	3/4	1.535	1.378	0.689	0.157	0.07	5986007
32	1	1.693	1.693	0.768	0.157	0.11	5986010
40	1-1/4	1.850	2.047	0.827	0.197	0.15	5986012
50	1-1/2	2.047	2.520	0.925	0.236	0.29	5986015
63	2	2.362	3.189	1.102	0.157	0.51	5986020
75	2-1/2	2.756	3.622	1.280	0.197	0.64	5986025
90	3	3.071	4.449	1.437	0.197	1.28	5986030
110	4	3.543	5.236	1.673	0.197	1.68	5986040



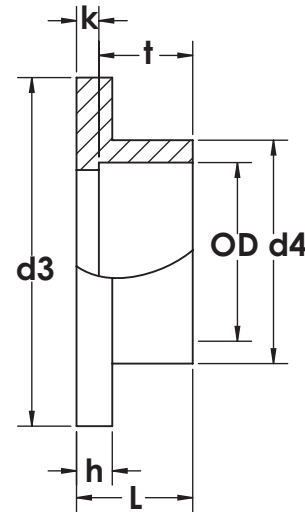
# Socket Fittings

# Super Proline® Dimensional Guide



## Tees

OD		Dimensions				SDR 21 / PN 20 / 230 PSI	
mm	inch	L	dsp	t	k	Weight (lbs)	Asahi P/N
20	1/2	2.362	1.142	0.630	0.571	0.13	5985005
25	3/4	2.677	1.378	0.689	0.650	0.15	5985007
32	1	3.150	1.693	0.768	0.807	0.29	5985010
40	1-1/4	3.701	2.047	0.846	1.004	0.44	5985012
50	1-1/2	4.252	2.520	0.925	1.181	0.73	5985015
63	2	4.921	3.189	1.142	1.398	1.30	5985020
75	2-1/2	6.024	3.622	1.358	1.654	1.65	5985025
90	3	7.205	4.449	1.496	2.106	3.29	5985030
110	4	8.189	5.236	1.673	2.421	4.37	5985040

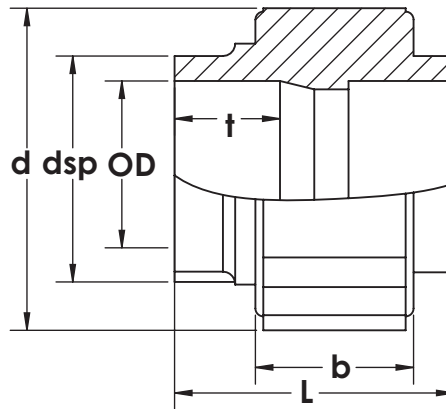


## Stub End\*

OD		Dimensions						SDR 21 / PN 20 / 230 PSI	
mm	inch	L	d3	d4	h	t	k	Weight (lbs)	Asahi P/N
20	1/2	0.827	1.064	1.773	0.236	0.630	0.197	0.04	5990005
25	3/4	0.867	1.300	2.285	0.276	0.670	0.197	0.09	5990007
32	1	0.985	1.615	2.679	0.276	0.788	0.197	0.11	5990010
40	1-1/4	1.024	1.970	3.073	0.315	0.827	0.197	0.18	5990012
50	1-1/2	1.182	2.403	3.467	0.315	0.985	0.197	0.22	5990015
63	2	1.300	2.994	4.019	0.355	1.103	0.197	0.33	5990020
75	2-1/2	1.458	3.546	4.807	0.394	1.261	0.197	0.51	5990025
90	3	1.615	4.295	4.925	0.433	1.418	0.197	0.68	5990030
110	4	1.891	5.161	5.910	0.473	1.694	0.197	1.01	5990040

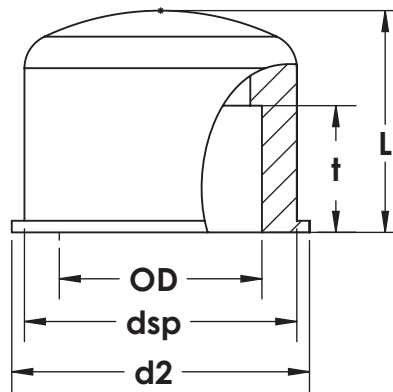
\*Requires backing ring.

Super Proline®  
Chemical Grade PVDF



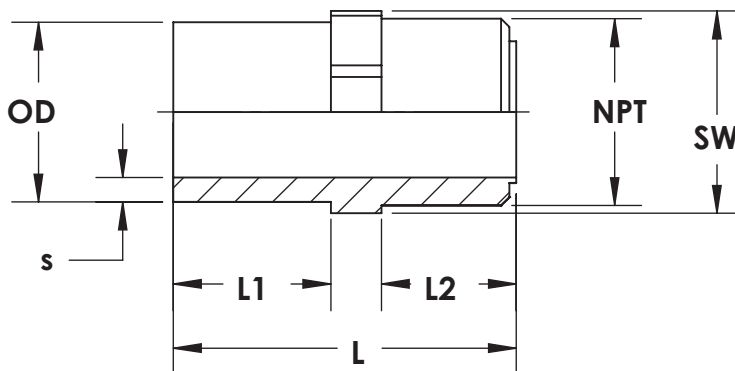
**Union-FKM**

OD		Dimensions					SDR 21 / PN 20 / 230 PSI	
mm	inch	L	d	b	dsp	t	Weight (lbs)	Asahi P/N
20	1/2	1.772	1.850	0.945	1.075	0.630	0.13	5993005
25	3/4	1.929	2.244	1.024	1.406	0.709	0.22	5993007
32	1	2.087	2.520	1.181	1.626	0.787	0.31	5993010
40	1-1/4	2.323	3.071	1.220	2.079	0.866	0.49	5992012
50	1-1/2	2.638	3.504	1.378	2.307	0.965	0.62	5993015
63	2	3.110	4.291	1.535	2.898	1.142	1.10	5993020



**End Cap**

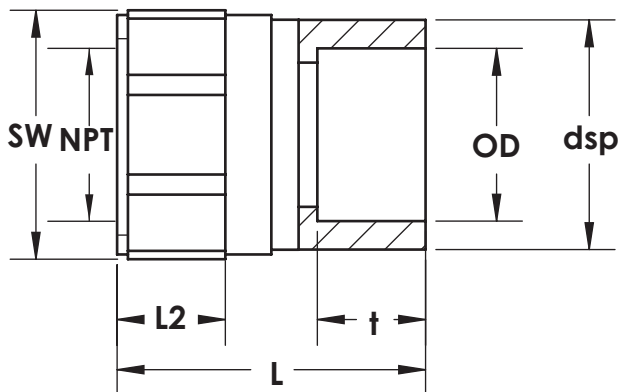
OD		Dimensions				SDR 21 / PN 20 / 230 PSI	
mm	inch	L	d2	dsp	t	Weight (lbs)	Asahi P/N
20	1/2	1.063	1.260	1.142	0.610	0.04	5981005
25	3/4	1.181	1.457	1.378	0.689	0.07	5981007
32	1	1.378	1.811	1.693	0.768	0.11	5981010
40	1-1/4	1.535	2.244	2.047	0.886	0.15	5981012
50	1-1/2	1.929	2.717	2.520	0.945	0.29	5981015
63	2	2.323	3.386	3.189	1.102	0.53	5981020
75	2-1/2	2.598	3.819	3.622	1.319	0.66	5981025
90	3	3.031	4.685	4.449	1.437	1.17	5981030
110	4	3.622	5.472	5.236	1.673	1.79	5981040



Male Adapter\*

OD		Dimensions						SDR 21 / PN 16 / 230 PSI	
mm	inch	s	L	L1	L2	SW	NPT	Weight (lbs)	Asahi P/N
20	1/2	0.075	1.811	0.787	0.709	0.866	1/2	0.02	5947005
25	3/4	0.075	2.008	0.906	0.787	1.063	3/4	0.04	5947007
32	1	0.094	2.402	1.142	0.906	1.417	1	0.09	5947010
40	1-1/4	0.094	2.598	1.142	1.063	1.811	1-1/4	0.15	5947012
50	1-1/2	0.118	2.913	1.299	1.142	2.165	1-1/2	0.26	5947015
63	2	0.118	3.150	1.378	1.220	2.559	2	0.29	5947020

\* Use Butt fused adapters in conjunction with a socket coupling purchased separately.

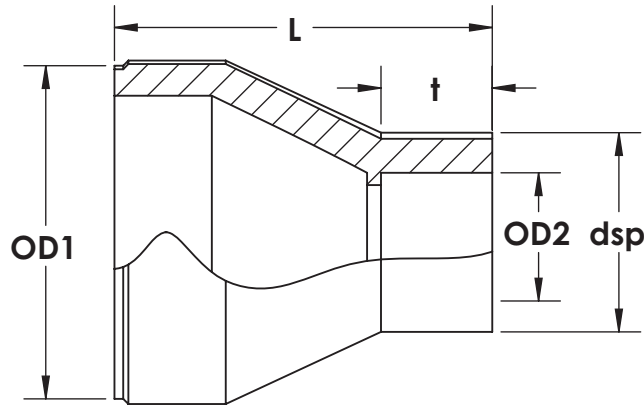


Female Adapter\*

OD		Dimensions						SDR 21 / PN 20 / 230 PSI	
mm	inch	L	L2	SW	NPT	dsp	t	Weight (lbs)	Asahi P/N
20	1/2	1.772	0.630	1.260	1/2	1.161	0.571	0.09	5983005
25	3/4	1.988	0.709	1.614	3/4	1.378	0.630	0.13	5983007
32	1	2.244	0.787	1.811	1	1.673	0.713	0.20	5983010
40	1-1/4	2.461	0.945	2.165	1-1/4	2.047	0.807	0.33	5983012
50	1-1/2	2.677	1.024	2.756	1-1/2	2.520	0.925	0.53	5983015
63	2	2.913	1.181	3.346	2	3.150	1.079	0.88	9583020

\* Note difference between nominal pipe socket size and actual NPT thread size. For US standard configuration, use #5947xxx (page 12) and a socket coupling (page 16).

Super Proline®  
Chemical Grade PVDF



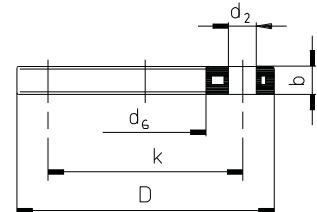
**Concentric Reducer**

OD		Dimensions			SDR 21 / PN 20 / 230 PSI	
mm	inch	L	dsp	t	Weight (lbs)	Asahi P/N
25/20	3/4 x 1/2	1.575	1.142	0.618	0.04	5995101
32/20	1 x 1/2	1.732	1.142	0.610	0.07	5995130
32/25	1 x 3/4	1.732	1.378	0.693	0.09	5995131
40/20	1-1/4 x 1/2	1.929	1.142	0.642	0.07	5995166
40/25	1-1/4 x 3/4	1.929	1.378	0.693	0.11	5995167
40/32	1-1/4 x 1	1.929	1.693	0.795	0.09	5995168
50/20	1-1/2 x 1/2	2.165	1.142	0.638	0.13	5995208
50/25	1-1/2 x 3/4	2.165	1.378	0.709	0.15	5995210
50/32	1-1/2 x 1	2.165	1.693	0.669	0.18	5995211
50/40	1-1/2 x 1-1/4	2.165	2.047	0.984	0.20	5995212
63/25	2 x 3/4	2.520	1.378	0.724	0.24	5995248
63/32	2 x 1	2.520	1.693	0.799	0.26	5995249
63/40	2 x 1-1/4	2.520	2.047	0.843	0.29	5995250
63/50	2 x 1-1/2	2.520	2.520	0.969	0.33	5995251
75/63	2-1/2 x 2	2.520	3.189	1.126	0.46	5995292
90/63	3 x 2	3.425	3.189	1.142	0.77	5995338
90/75	3 x 2-1/2	3.425	3.622	1.299	0.79	5995339
110/63	4 x 2	3.465	3.189	1.154	1.06	5995420
110/90	4 x 3	3.425	4.449	1.398	1.28	5995422

Note: OD1 male spigot. OD2 female socket

# Proline 150 PP Blind Flange

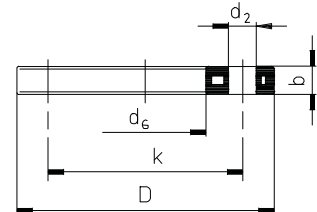
- with Steel Insert
- Molded



OD		Dimensions					up to a pressure rate of 16 bar acc. DIN 16962 part5			
[mm]	[inch]	D	k	d <sub>2</sub>	b	Bolt Holes	Torque [ft/lbs]	Agro Code	Asahi Part #	Weight (lbs)
20	½"	3.740	2 3/8"	5/8"	0.472	4	11	11.043.0020.11	5042005	0.49
25	¾"	4.016	2 3/4"	5/8"	0.472	4	11	11.043.0025.11	5042007	0.62
32	1"	4.488	3 1/8"	5/8"	0.630	4	11	11.043.0032.11	5042010	0.93
40	1¼"	5.118	3 1/2"	5/8"	0.630	4	18	11.043.0040.11	5042012	1.12
50	1½"	5.236	3 7/8"	5/8"	0.709	4	26	11.043.0050.11	5042015	1.32
63	2"	6.378	4 7/8"	3/4"	0.709	4	26	11.043.0063.11	5042020	1.92
75	2½"	7.244	5 1/2"	3/4"	0.709	4	30	11.043.0075.11	5042025	2.29
90	3"	7.638	6"	3/4"	0.709	4	30	11.043.0090.11	5042030	2.43
110	4"	9.016	7 1/2"	3/4"	0.709	8	30	11.043.0110.11	5042040	3.57
160	6"	11.142	9 1/2"	7/8"	0.945	8	44	11.043.0160.11	5042060	5.47
200	8"	13.583	11 3/4"	7/8"	0.945	8	52	11.043.0200.11	5042080	7.80
250	10"	16.220	14 1/4"	1"	1.063	12	74	11.043.0250.11	5042100	14.18
315	12"	19.173	17"	1"	1.260	12	81	11.043.0315.11	5042120	27.87

# Proline 150 PP Backing Ring

- with Steel Insert
- Molded



OD		Dimensions					up to a pressure rate of 16 bar acc. DIN 16962 part5				
[mm]	[inch]	D	k	d <sub>6</sub>	d <sub>2</sub>	b	Bolt Holes	Torque [ft/lbs]	Agro Code	Asahi Part #	Weight (lbs)
20	½"	3.740	2 3/8"	1.102	5/8"	0.472	4	11	11.013.0020.11	5046005	0.49
25	¾"	4.016	2 3/4"	1.339	5/8"	0.472	4	11	11.013.0025.11	5046007	0.62
32	1"	4.488	3 1/8"	1.654	5/8"	0.630	4	11	11.013.0032.11	5046010	0.93
40	1¼"	5.118	3 1/2"	2.008	5/8"	0.630	4	18	11.013.0040.11	5046012	1.12
50	1½"	5.236	3 7/8"	2.441	5/8"	0.709	4	26	11.013.0050.11	5046015	1.32
63	2"	6.378	4 7/8"	3.071	3/4"	0.709	4	26	11.013.0063.11	5046020	1.92
75	2½"	7.244	5 1/2"	3.622	3/4"	0.709	4	30	11.013.0075.11	5046025	2.29
90	3"	7.638	6"	4.370	3/4"	0.709	4	30	11.013.0090.11	5046030	2.43
110	4"	9.016	7 1/2"	5.236	3/4"	0.709	8	30	11.013.0110.11	5046040	3.57
160	6"	11.142	9 1/2"	7.008	7/8"	0.945	8	44	11.013.0160.11	5046060	5.47
200	8"	13.583	11 3/4"	9.291	7/8"	0.945	8	52	11.013.0200.11	5046080	7.80
250	10"	16.220	14 1/4"	11.339	1"	1.063	12	74	11.013.0250.11	5046100	14.18
315	12"	19.173	17"	13.307	1"	1.260	12	81	11.013.0315.11	5046120	27.87

225mm (9") AND 200mm (8") Stub Ends use 8" ANSI Backing Ring.  
Consult factory for Backing Ring Details larger than 12".

## Super Proline® Dimensional Guide

*This page left blank intentionally.*

Super Proline®  
Chemical Grade PVDF

# **Another Corrosion Problem Solved.<sup>TM</sup>**

---



**35 Green St., Malden, MA 02148**

**Tel: 800-343-3618; 781-321-5409**

**Direct Sales: East (800) 232-7244  
Central (800) 442-7244  
West (800) 282-7244**

**Fax: 800-426-7058**

**[www.asahi-america.com](http://www.asahi-america.com)**

**[asahi@asahi-america.com](mailto:asahi@asahi-america.com)**

---