

# Actuator Options

# Diaphragm Valves



## Series 92 Electric Actuators

### Standard Features (Sizes 1/2" - 4")

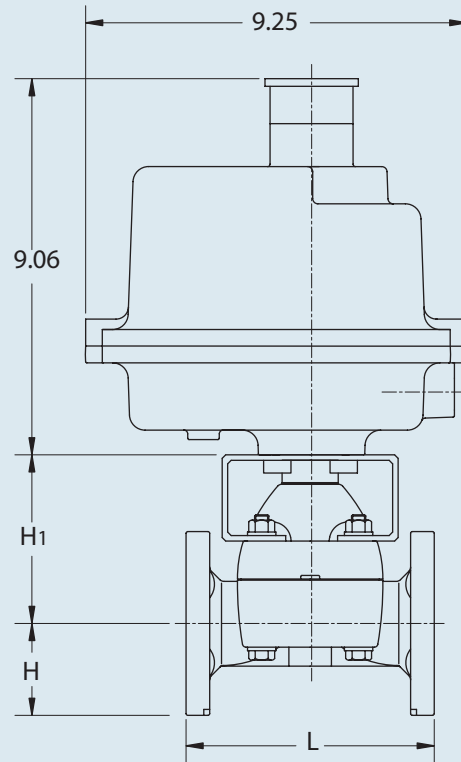
- Brushless, capacitor-run motors (115V/60 Hz)
- Integral thermal overload protection with auto-reset
- Permanently lubricated gear train
- Combination Type 4X, 7 and 9 enclosure with thermally bonded powder coating/304 SS trim
- ISO bolt circle
- Two 1/2" NPT conduit ports prevent interference between control and power signals
- Declutchable manual override
- Highly visible position indicator
- 3-layer rotary switch for dry contact indication
- Extra limit switches supplied as a standard

### Options

- Heater and thermostat (to -40° F)
- Positioner: 4-20mA or 0-10 VDC input
- 4-20mA output position transmitter
- Feedback potentiometer

### Electrically Actuated Diaphragm

ACTUATOR DEPTH: 9.25"



NOTE: CONSULT FACTORY FOR SIZES GREATER THAN 4"  
FOR TRUE UNION "L" DIMENSIONS SEE PAGE 67.

### AC Wiring (For 115 VAC only)

NOTE TO WIRING DIAGRAM:

1. EACH ACTUATOR MUST BE POWERED THROUGH ITS OWN INDIVIDUAL SWITCH CONTACTS TO AVOID CROSS FEED.
2. MOTOR HAS A THERMAL PROTECTOR AS SHOWN BY (M) IN DIAGRAM.
3. IF 115 VAC MODELS ARE PLC DRIVEN, OUTPUT CONTACTS OF PLC SHOULD BE RATED AT A MINIMUM OF 1.5 TIMES REQUIRED INPUT VOLTAGE OF ACTUATOR.

### Cycle Times Weight

### Dimensions

NOMINAL SIZE		TIME (SEC.)
INCHES	mm	
1/2	15	189
3/4	20	189
1	25	189
1 1/2	40	247
2	50	305
2 1/2	65	363
3	80	363
4	100	363

NOMINAL SIZE		WT. (LBS.)
INCHES	mm	
1/2	15	16.80
3/4	20	17.10
1	25	17.70
1 1/2	40	21.50
2	50	23.30
2 1/2	65	29.60
3	80	32.94
4	100	41.10

NOMINAL SIZE		H	H1	L
INCHES	mm			
1/2	15	1.75	3.55	4.25
3/4	20	1.94	3.61	5.88
1	25	2.13	3.77	5.88
1 1/2	40	2.50	6.50	6.94
2	50	3.00	7.02	7.94
2 1/2	65	3.50	9.52	9.84
3	80	3.75	10.25	10.38
4	100	4.50	11.00	12.94

\*Duty Cycle: 25%

Cycle times are approximate

