

# Series 25114

## 150# Flanged Cast Steel Check Valve



Valves, Automation & Controls

### Features

- Bolted Cover
- Swing Type
- For Horizontal or Vertical lines
- Integral Seat
- Flanged Ends
- Butt Weld Ends
- Applicable Standards:
  - Steel valves ANSI B16.34
  - Face to face ANSI B16.10
  - End flanges ANSI B16.5
  - Buttweld ends ANSI B16.25
  - Inspection and test API 598

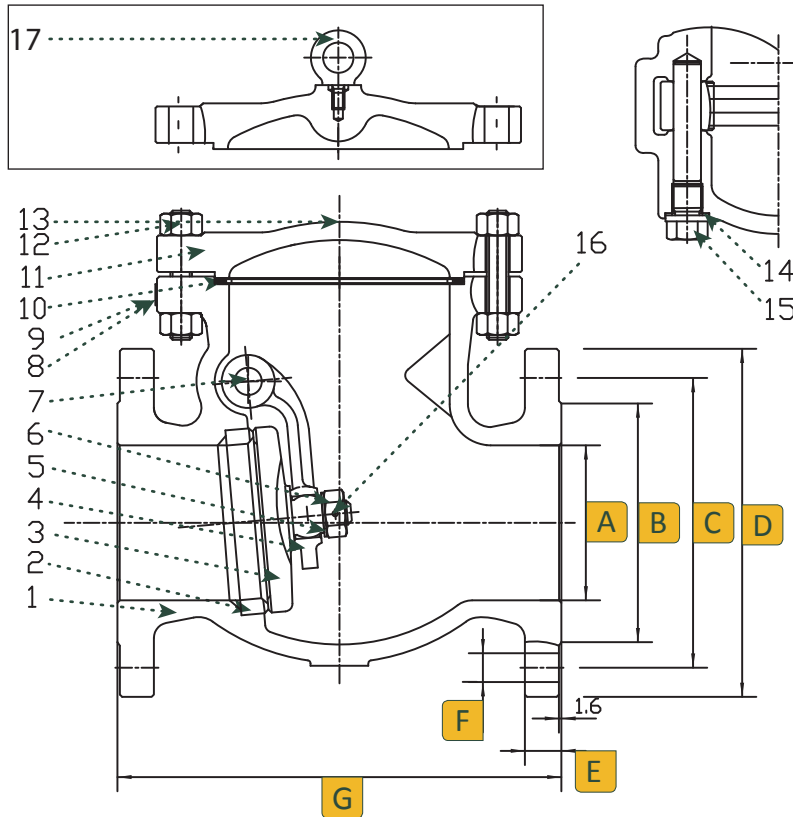


### Technical Information

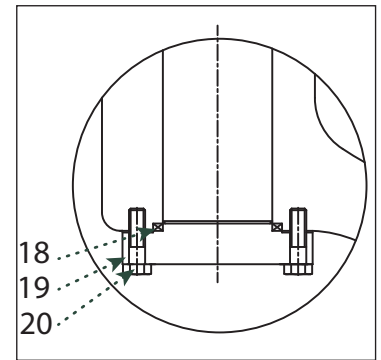
Temperature °F	Working Pressure psi
-20 to 100	285
200	260
300	230
400	200
500	170
600	140
650	125
700	110
750	95
800	80
850	85
900	50
950	35
1000	20

# Dimensions, Parts & Materials

4" & Above



24" - 30"



Size	A	B	C	D	E	F	G	Num of Bolt Holes
2	2.00	3.62	4.75	6.00	0.62	0.75	8.00	4
2-1/2	2.50	4.12	5.50	7.00	0.68	0.75	8.50	4
3	3.00	5.00	6.00	7.50	0.75	0.75	9.50	4
4	4.00	6.19	7.50	9.00	0.94	0.75	11.50	8
5	5.00	7.31	8.50	10.00	0.94	0.88	13.00	8
6	6.00	8.50	9.50	11.00	1.00	0.88	14.00	8
8	8.00	10.62	11.75	13.50	1.12	0.88	19.50	8
10	10.00	12.75	14.25	16.00	1.18	1.00	24.50	12
12	12.00	15.00	17.00	19.00	1.25	1.00	27.50	12
14	14.00	16.25	18.75	21.00	1.37	1.13	31.00	12
16	16.00	18.50	21.25	23.50	1.44	1.13	34.00	16
18	18.00	21.00	22.75	25.00	1.56	1.25	38.50	16
20	20.00	23.00	25.00	27.50	1.68	1.25	38.50	20
22	21.26	25.25	27.25	29.50	1.80	1.375	42.00	20
24	24.00	27.24	29.50	32.00	1.87	1.375	51.00	20
28	27.24	30.00	31.30	32.94	1.75	0.875	57.00	40
30	29.25	32.00	33.30	34.90	1.75	0.875	60.00	44

No.	Part Name	Material
1	Body	Carbon Steel A216 - WCB
2	Seat	A105 & STL6
3	Disc	A105 & 410 Stainless Steel
4	Hinge	Carbon Steel A216
5	Gasket	A276 410
6	Nut	A276 410
7	Pin	A276 410
8	Rivit	304 Stainless Steel
9	Name Plate	304 Stainless Steel
10	Gasket	F304 & Flexible Graphite
11	Cover	Carbon Steel A216 - WCB
12	Bolt	B7 Steel A193
13	Nut	2H Steel A194
14	Gasket	Soft Iron
15	Plug	410 Stainless Steel
16	Pin	304 Stainless Steel
17	Eyebolt	Carbon Steel
18	Gasket	F304 & Flexible Graphite
19	Bolt	Carbon Steel
20	Gland	Carbon Steel

## Ordering

Fig: 8 - 25 - 1 - 1 - 4  
Description: 8" - Series 25 - 150# Flange Ends - Cast Steel

Size	Series	Class	Ends	Body Material	Options
2	14	25	1 150	4 Cast Steel	X Oxygen Service
2-1/2	16		2 Buttweld		SF Silicon Free
3	18				RTJ Ring Type Joint Flange
4	20				
6	22				
8	24				
10	28				
12	30				

Due to continuous development of our product range, we reserve the right to change the dimensions and information for this product as required.

# Series 25314

## 300# Flanged Cast Steel Check Valve



Valves, Automation & Controls

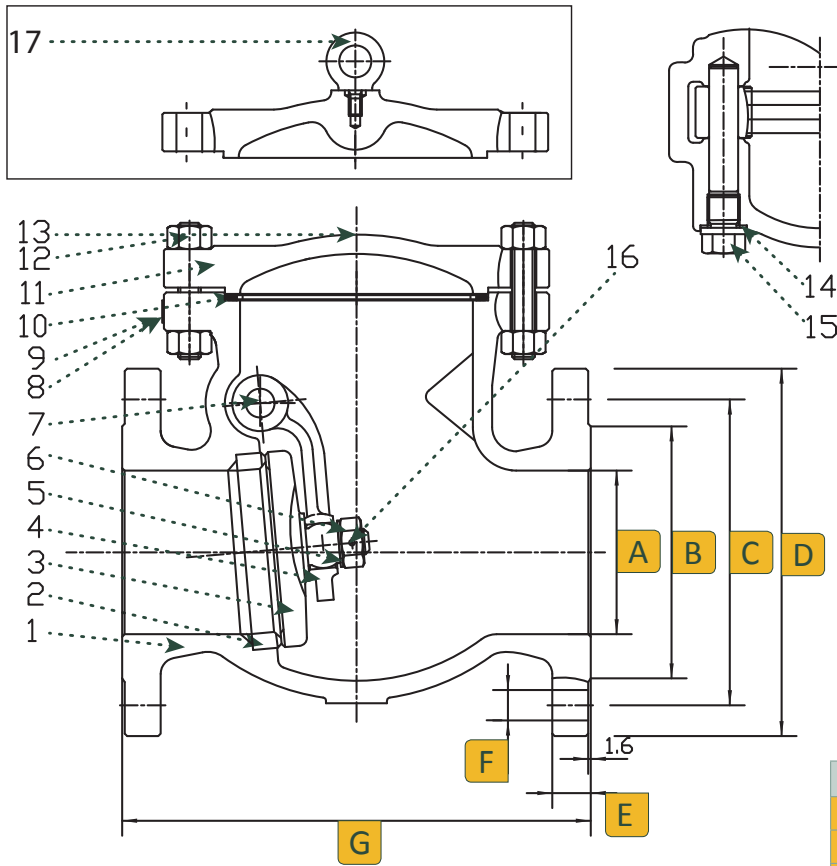
### Features

- Bolted Cover
- Swing Type
- For Horizontal or Vertical lines
- Integral Seat
- Flanged Ends
- Butt Weld Ends
- Applicable Standards:
  - Steel valves ANSI B16.34
  - Face to face ANSI B16.10
  - End flanges ANSI B16.5
  - Buttweld ends ANSI B16.25
  - Inspection and test API 598

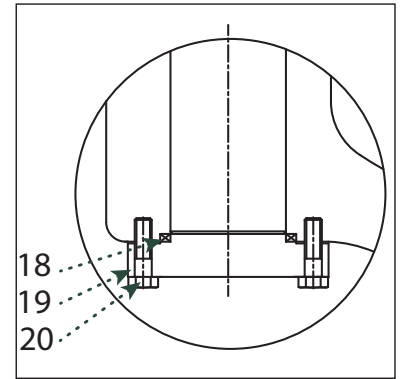


Temperature °F	Working Pressure psi
-20 to 100	740
200	675
300	655
400	635
500	600
600	550
650	535
700	535
750	505
800	410
850	270
900	170
950	105
1000	60

4" & Above



20" & 24"



Size	A	B	C	D	E	F	G	Num of Bolt Holes
2	1.97	3.62	5.00	6.50	0.88	0.75	10.51	8
2-1/2	2.56	4.12	5.88	7.50	1.00	0.88	11.50	8
3	3.15	5.00	6.62	8.25	1.12	0.88	12.52	8
4	3.94	6.19	7.88	10.00	1.25	0.88	14.02	8
6	5.90	8.50	10.62	12.50	1.44	0.88	17.48	12
8	7.87	10.62	13.00	15.00	1.62	1.00	20.98	12
10	10.00	12.76	15.25	17.50	1.88	1.12	24.50	16
12	12.01	15.00	17.75	20.50	2.00	1.25	28.00	16
14	13.27	16.26	20.25	23.00	2.12	1.25	33.00	20
16	15.24	18.50	22.50	25.50	2.25	1.38	34.00	20
18	18.00	21.00	24.75	28.00	2.37	1.375	38.50	24
20	20.00	23.00	27.00	30.50	2.50	1.375	40.00	24
24	24.00	27.25	32.00	36.00	2.75	1.625	53.00	24

No.	Part Name	Material
1	Body	Carbon Steel A216- WCB
2	Seat	A105 & STL.6
3	Disc	A105 & 410 Stainless Steel
4	Hinge	Carbon Steel A216
5	Gasket	A276 410
6	Nut	A276 410
7	Pin	A276 410
8	Rivit	304 Stainless Steel
9	Name Plate	304 Stainless Steel
10	Gasket	F304 & Flexible Graphite
11	Cover	Carbon Steel A216 - WCB
12	Bolt	B7 Steel A193
13	Nut	2H Steel A194
14	Gasket	Soft Iron
15	Plug	410 Stainless Steel
16	Pin	304 Stainless Steel
17	Eyebolt	Carbon Steel
18	Gasket	F304 & Flexible Graphite
19	Bolt	Carbon Steel
20	Gland	Carbon Steel

## Ordering

Fig: 8 - 25 - 3 - 1 - 4

Description: 8" - Series 25 - 300# Flange Ends - Carbon Steel

Size	Series	Class	Ends	Body Material	Options
2	12	25	3	300	1 Flange
2-1/2	14				2 Butt weld
3	16				
4	18				
6	20				
8	22				
10	24				
				4 Cast Steel	X Oxygen Service SF Silicon Free RTJ Ring Type Joint Flange

# Series 25614

## 600# Flanged Cast Steel Check Valve



Valves, Automation & Controls

### Features

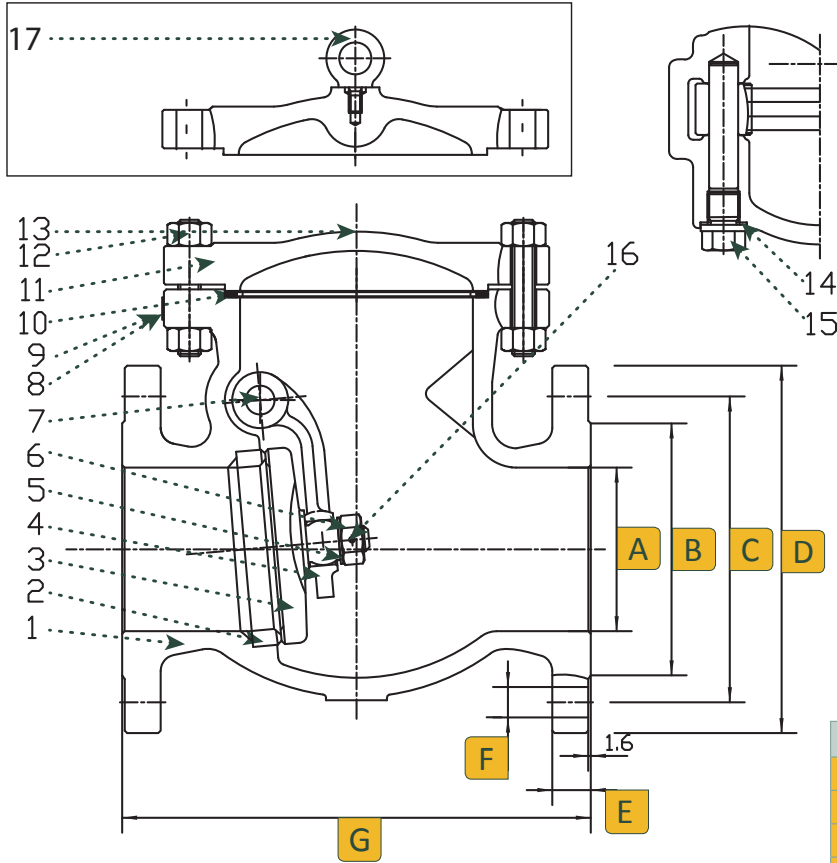
- Bolted Cover
- Swing Type
- For Horizontal or Vertical lines
- Integral Seat
- Flanged Ends
- Butt Weld Ends
- Applicable Standards:
  - Steel valves ANSI B16.34
  - Face to face ANSI B16.10
  - End flanges ANSI B16.5
  - Buttweld ends ANSI B16.25
  - Inspection and test API 598



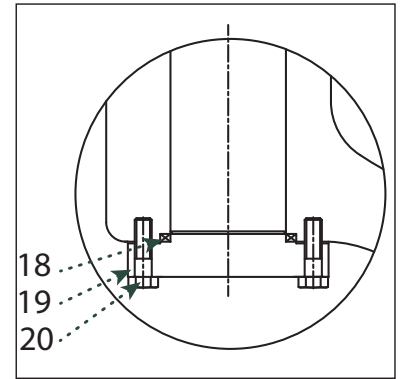
Temperature °F	Working Pressure psi
-20 to 100	1480
200	1350
300	1315
400	1270
500	1200
600	1095
650	1075
700	1065
750	1010
800	825
850	535
900	345
950	205
1000	105

# Dimensions, Parts & Materials

4" & Above



16" - 24"



Size	A	B	C	D	E	F	G	Num of Bolt Holes
2	2.00	3.62	5.00	6.50	1.00	0.75	11.50	8
2-1/2	2.50	4.12	5.88	7.50	1.12	0.875	13.00	8
3	3.00	5.00	6.62	8.25	1.25	0.875	14.00	8
4	4.00	6.19	8.50	10.75	1.50	1.00	17.00	8
6	6.00	8.50	11.50	14.00	1.88	1.125	22.00	12
8	8.00	10.62	13.75	16.50	2.19	1.25	26.00	12
10	10.00	12.75	17.00	20.00	2.50	1.375	31.00	16
12	12.00	15.00	19.25	22.00	2.62	1.375	33.00	20
14	14.00	16.25	20.75	23.75	2.75	1.50	35.00	20
16	16.00	18.50	23.75	27.00	3.00	1.625	39.00	20
20	20.00	23.00	28.50	32.00	3.50	1.75	47.00	24
24	24.00	27.25	33.00	37.00	4.00	2.00	55.00	24

No.	Part Name	Material
1	Body	Carbon Steel A216 - WCB
2	Seat	A105 & STL6
3	Disc	A105 & 410 Stainless Steel
4	Hinge	Carbon Steel A216
5	Gasket	A276 410
6	Nut	A276 410
7	Pin	A276 410
8	Rivit	304 Stainless Steel
9	Name Plate	304 Stainless Steel
10	Gasket	F304 & Flexible Graphite
11	Cover	Carbon Steel A216 - WCB
12	Bolt	B7 Steel A193
13	Nut	2H Steel A194
14	Gasket	Soft Iron
15	Plug	410 Stainless Steel
16	Pin	304 Stainless Steel
17	Eyebolt	Carbon Steel
18	Gasket	F304 & Flexible Graphite
19	Bolt	Carbon Steel
20	Gland	Carbon Steel

## Ordering

Fig: 8 - 25 - 6 - 1 - 4

Description: 8" - Series 25 - 600# Flange Ends - Cast Steel

Size	Series	Class	Ends	Body Material	Options
2	12	25	6	600	1 Flange
2-1/2	14				2 Butt weld
3	16				
4	18				
6	20				
8	22				
10	24				
					4 Cast Steel
					X Oxygen Service
					SF Silicon Free
					RTJ Ring Type Joint Flange

Due to continuous development of our product range, we reserve the right to change the dimensions and information for this product as required.

# Series 25116

## 150# Flanged Stainless Steel Check Valve



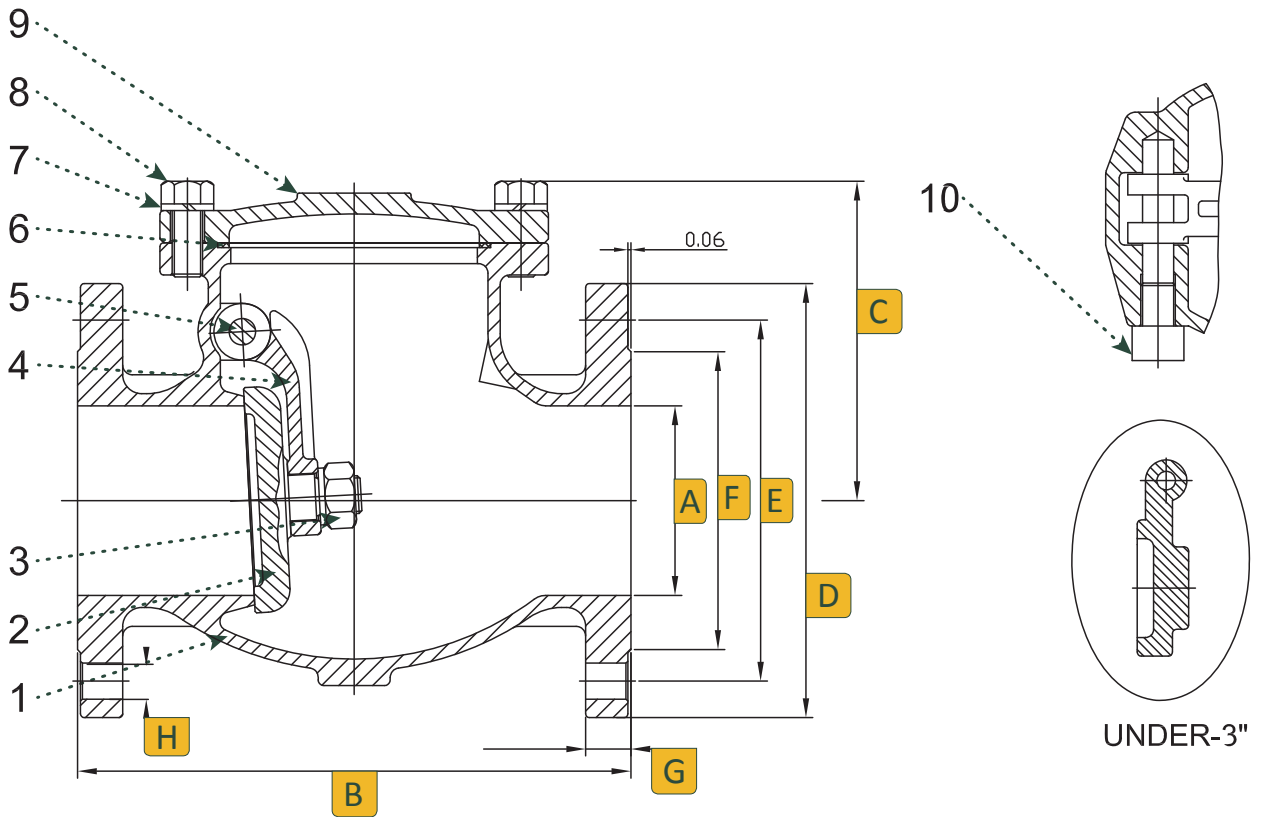
*Valves, Automation & Controls*

### Features

- Bolted Cover
- Swing Type
- Horizontal or Vertical lines
- For Horizontal or Vertical lines
- Integral Seat
- Flanged Ends
- Butt Weld Ends
- Applicable Standards:
  - Steel valves ANSI B16.34
  - Face to face ANSI B16.10
  - End flanges ANSI B16.5
  - Buttweld ends ANSI B16.25
  - Inspection and test API 598



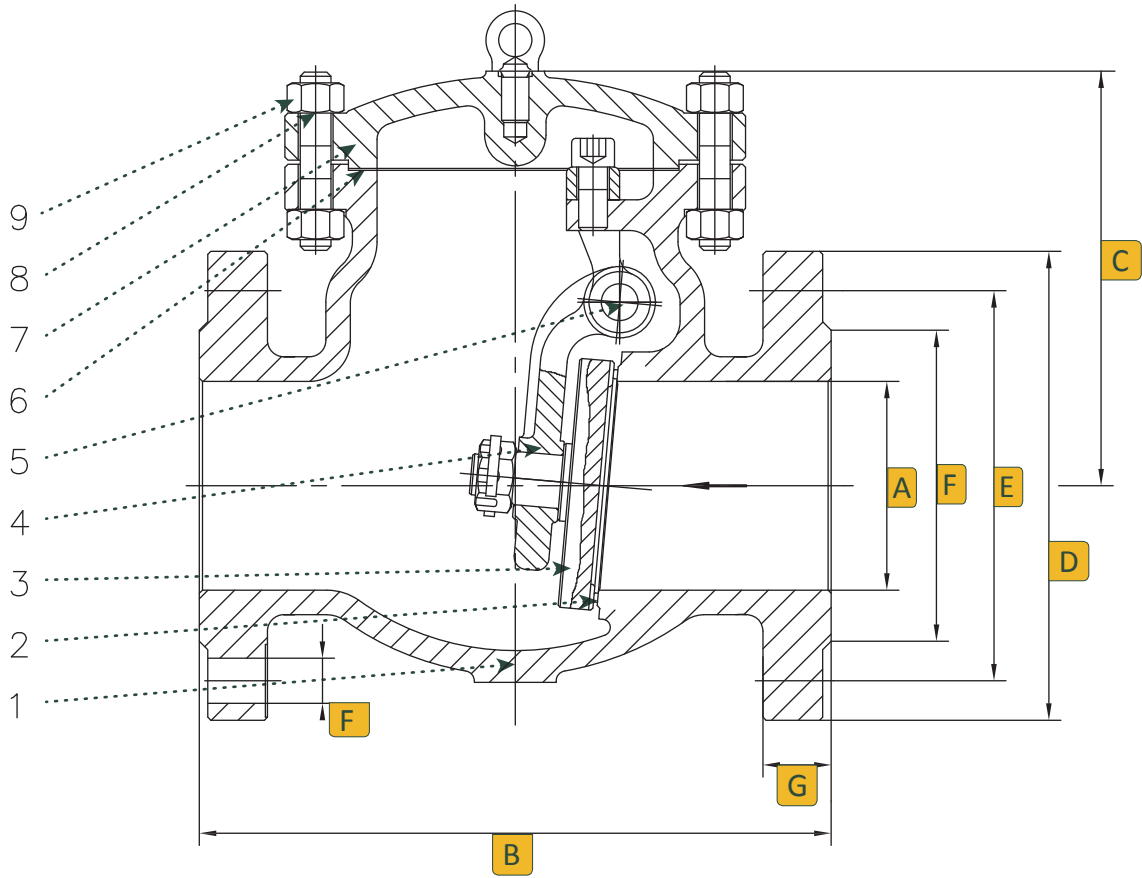
# 1/2" - 14" Dimensions, Parts & Materials



Size	A	B	C	D	E	F	G	H	Num of Bolt Holes
1/2	0.59	4.25	2.00	3.50	2.38	1.38	0.43	0.625	4
3/4	0.79	4.62	2.13	3.88	2.75	1.69	0.43	0.625	4
1	0.98	5.00	2.52	4.25	3.12	2.00	0.43	0.625	4
1-1/2	1.57	6.50	2.95	5.00	3.88	2.88	0.56	0.625	4
2	1.97	7.99	3.86	6.00	4.75	3.62	0.62	0.75	4
2-1/2	2.56	8.50	4.41	7.00	5.50	4.12	0.69	0.75	4
3	3.15	9.49	4.88	7.50	6.00	5.00	0.75	0.75	4
4	3.94	11.50	6.34	9.00	7.50	6.19	0.94	0.75	8
5	4.92	13.00	7.09	7.09	8.50	7.31	0.94	0.88	8
6	5.90	14.02	8.07	8.07	9.50	8.50	1.00	0.88	8
8	7.87	19.49	9.29	9.29	11.75	10.62	1.12	0.88	8
10	9.84	24.49	11.90	11.90	14.25	12.75	1.19	1.00	12
12	11.81	27.48	13.40	13.40	17.00	15.00	1.25	1.00	12
14	13.27	30.98	15.16	15.16	18.75	16.26	1.38	1.125	12

No.	Part Name	Material
1	Body	316 Stainless Steel - CF8M
2	Disc	316 Stainless Steel - CF8M
3	Nut	304 Stainless Steel
4	Arm Hinge	316 Stainless Steel
5	Hinge Pin	316 Stainless Steel
6	Gasket	PTFE
7	Washer	304 Stainless Steel
8	Bolt	304 Stainless Steel
9	Cover	316 Stainless Steel - CF8M
10	Bolt	304 Stainless Steel





Size	A	B	C	D	E	F	G	H	Num of Bolt Holes
16	15.24	34.00	1.44	23.50	21.25	18.25	1.44	1.125	24
18	17.24	38.50	1.56	25.00	22.75	21.00	1.56	1.25	24
20	19.25	38.50	1.69	27.50	25.00	23.00	1.69	1.25	24
24	23.27	51.00	1.88	32.00	29.50	27.25	1.88	1.25	24

No.	Part Name	Material
1	Body	316 Stainless Steel - CF8M
2	Seal Facing	316 Stainless Steel - CF8M
3	Disc	316 Stainless Steel - CF8M
4	Hinge	316 Stainless Steel
5	Hinge Pin	316 Stainless Steel
6	Gasket	316 Stainless Steel + Graphite
7	Cover	316 Stainless Steel - CF8M
8	Cover Bolt	B8 Stainless Steel
9	Cover Nut	Grade 8 Nut

Temperature °F	Working Pressure psi
-20 to 100	275
200	235
300	215
400	195
500	170
600	140
650	125
700	110
750	95
800	80
850	65
900	50
950	35
1000	20

## Ordering

Fig: 8 - 25 - 1 - 1 - 6  
Description: 8" - Series 25 - 150# Flange Ends - Stainless Steel

Size	Series	Class	Ends	Body Material	Options
1/2	25	1 150	1 Flange	6 316 Stainless Steel	X Oxygen Service SF Silicon Free RTJ Ring Type Joint Flange
3/4			2 Buttweld		
1					
1-1/2					
2					
2-1/2					
3					
4					
5					
6					
8					
10					
12					
14					
16					
18					
20					
24					

# Series 25316

## 300# Flanged Stainless Steel Check Valve



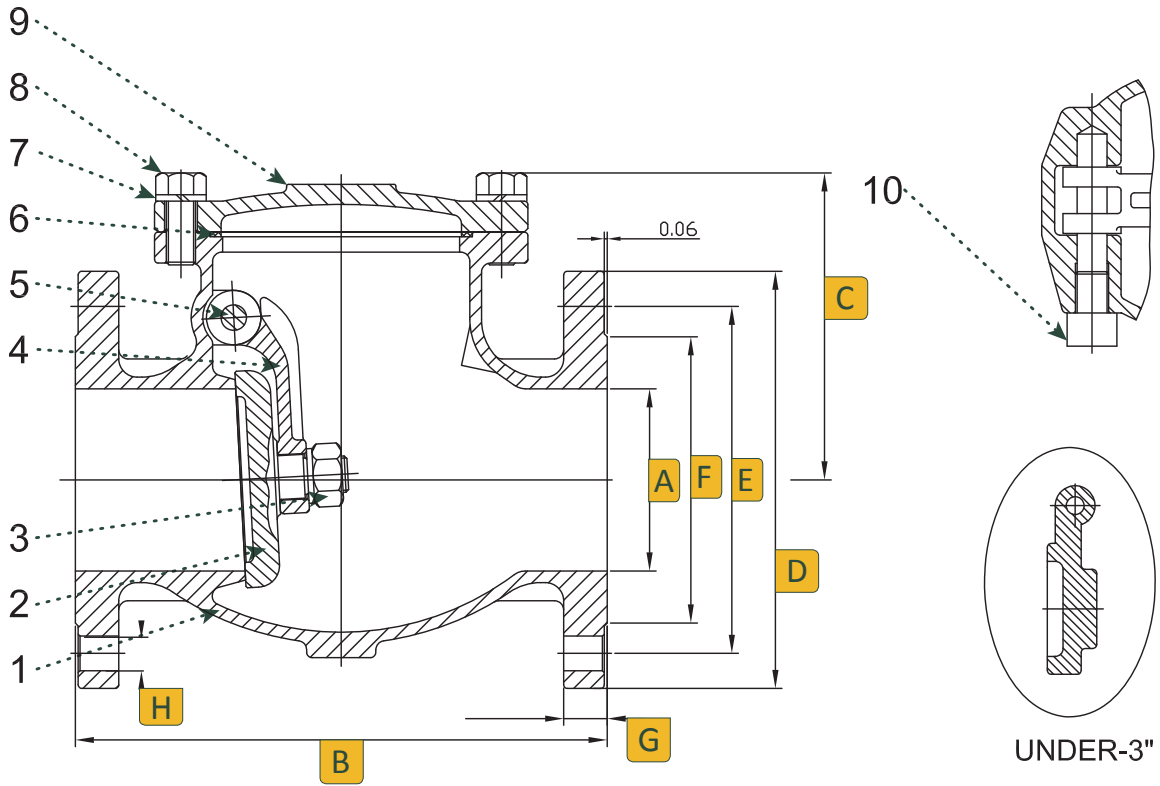
Valves, Automation & Controls

### Features

- Bolted Cover
- Swing Type
- For Horizontal or Vertical lines
- Integral Seat
- Flanged Ends
- Butt Weld Ends
- Applicable Standards:
  - Steel valves ANSI B16.34
  - Face to face ANSI B16.10
  - End flanges ANSI B16.5
  - Buttweld ends ANSI B16.25
  - Inspection and test API 598

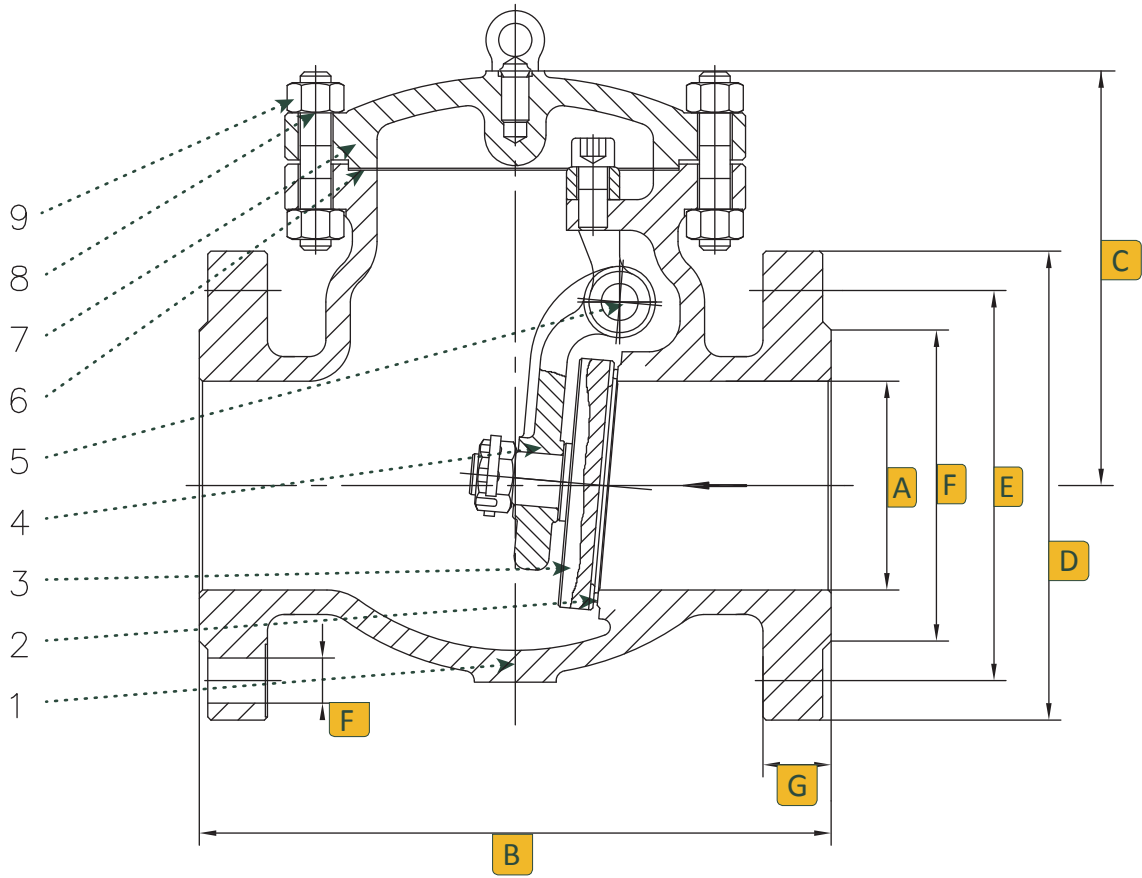


# 1/2" - 8" Dimensions, Parts & Materials



Size	A	B	C	D	E	F	G	H	Num of Bolt Holes
1/2	0.59	5.98	2.40	3.75	2.62	1.38	0.56	0.625	4
3/4	0.79	7.01	2.41	4.62	3.25	1.69	0.62	0.75	4
1	0.98	7.99	3.11	4.88	3.50	2.00	0.69	0.75	4
1-1/2	1.57	9.02	3.66	6.12	4.50	2.88	0.81	0.875	4
2	1.97	10.51	5.00	6.50	5.00	3.62	0.88	0.75	4
2-1/2	2.56	11.50	5.67	7.50	5.88	4.12	1.00	0.875	4
3	3.15	12.52	6.06	8.25	6.62	5.00	1.12	0.875	4
4	3.94	14.02	7.71	10.00	7.88	6.19	1.125	0.875	8
6	5.90	17.48	9.06	12.50	10.62	8.50	1.44	0.875	8
8	7.87	20.98	10.43	15.00	13.00	10.62	1.62	1.00	8

No.	Part Name	Material
1	Body	316 Stainless Steel - CF8M
2	Disc	316 Stainless Steel - CF8M
3	Nut	304 Stainless Steel
4	Arm Hinge	316 Stainless Steel
5	Hinge Pin	316 Stainless Steel
6	Gasket	PTFE
7	Washer	304 Stainless Steel
8	Bolt	304 Stainless Steel
9	Cover	316 Stainless Steel - CF8M
10	Bolt	304 Stainless Steel



Size	A	B	C	D	E	F	G	H	Num of Bolt Holes
10	9.84	24.50	1.88	17.50	12.76	15.25	1.88	1.125	16
12	11.81	28.00	2.00	20.50	15.00	17.75	2.00	1.25	16
14	13.27	33.00	2.12	23.00	16.26	20.25	2.12	1.25	20
16	15.24	34.00	2.25	25.50	18.50	22.50	2.25	1.375	20
18	17.24	38.50	2.38	28.00	20.98	24.75	2.38	1.375	24
20	19.25	40.00	2.50	30.50	22.99	27.00	2.50	1.375	24
24	23.27	53.00	2.75	26.00	27.28	32.00	2.75	1.625	24

No.	Part Name	Material
1	Body	316 Stainless Steel - CF8M
2	Seal Facing	316 Stainless Steel
3	Disc	316 Stainless Steel - CF8M
4	Hinge	316 Stainless Steel
5	Hinge Pin	316 Stainless Steel
6	Gasket	316 Stainless Steel + Graphite
7	Cover	316 Stainless Steel - CF8M
8	Cover Bolt	B8 Stainless Steel
9	Cover Nut	Grade 8 Nut

Temperature °F	Working Pressure psi
-20 to 100	720
200	620
300	560
400	515
500	480
600	450
650	445
700	430
750	425
800	420
850	415
900	385
950	350
1000	345

## Ordering

Fig: 8 - 25 - 3 - 1 - 6

Description: 8" - Series 25 - 300# Flange Ends - Stainless Steel

Size	Series	Class	Ends	Body Material	Options		
1/2	25	3	300	6	316 Stainless Steel	X	Oxygen Service
3/4						SF	Silicon Free
1						RTJ	Ring Type Joint Flange
1-1/2							
2							
2-1/2							
3							
4							
5							
6							
8							
10							
12							
14							
16							
18							
20							
24							