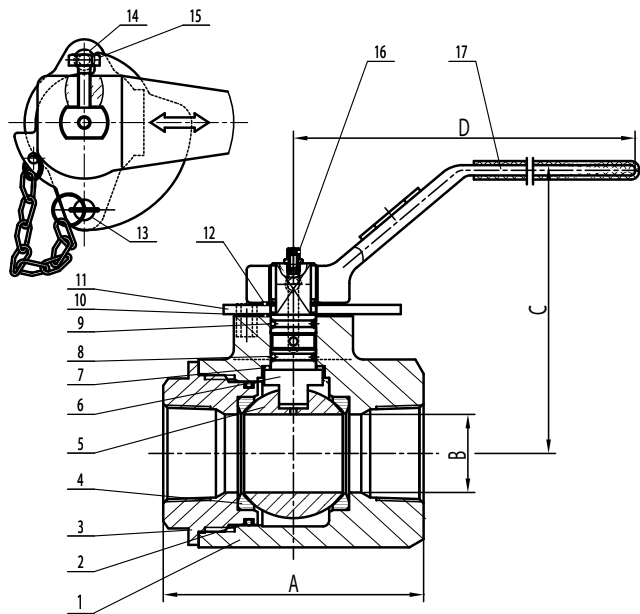


FIG. OP50CC6DV

OIL PATCH CARBON STEEL BALL VALVE

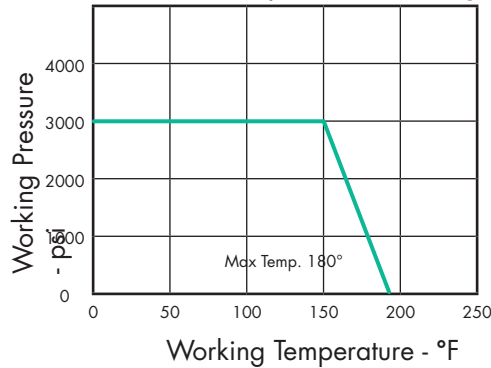


- Carbon Steel Body
- 3000 psi
- Full Port
- 2 Piece
- Delrin Seats
- Nace MR-01-75 Compliant
- Heavy Duty Locking Device
- Blow-out Proof Stem
- Double O-Ring Stem Seal
- Grease Fitting for Constant Lubrication and Protection Against Corrosion and Moisture



No.	Part	Material
1	Body	WCB
2	Seat Ring	Viton
3	Bonnet	WCB
4	Seat	Delrin
5	Ball	AISI 420 Stainless Steel
6	Stem	AISI 420 Stainless Steel
7	Thrust Washer	PTFE
8	Stem Seal	Viton
9	Stem Seal	Viton
10	Stem Packing	PTFE
11	Locating Plate	Steel
12	Clip Spring	Spring Steel
13	Pin with Chain	Copper & Steel
14	Handle Screw	Steel
15	Stop Bolt	Steel
16	Grease Zerk	SS201
17	Handle	Ductile Iron

Pressure Temperature Ratings



Size IN	Part Number	Weight LB	A IN	B IN	C IN	D IN
1	SVOP50CC6DV010	4.4	4.01	0.98	3.18	6.26
2	SVOP50CC6DV020	21.4	6.02	2.00	5.87	8.50
3	SVOP50CC6DV030	41.8	8.74	3.18	6.85	14.96

SHARPE[®]

USA 877.774.2773

Fax 708.562.9221

www.sharpevalves.com

Chicago, IL

Los Angeles, CA

Atlanta, GA

Vancouver, WA

Houston, TX