

Series N66

3-Piece Sanitary Valve



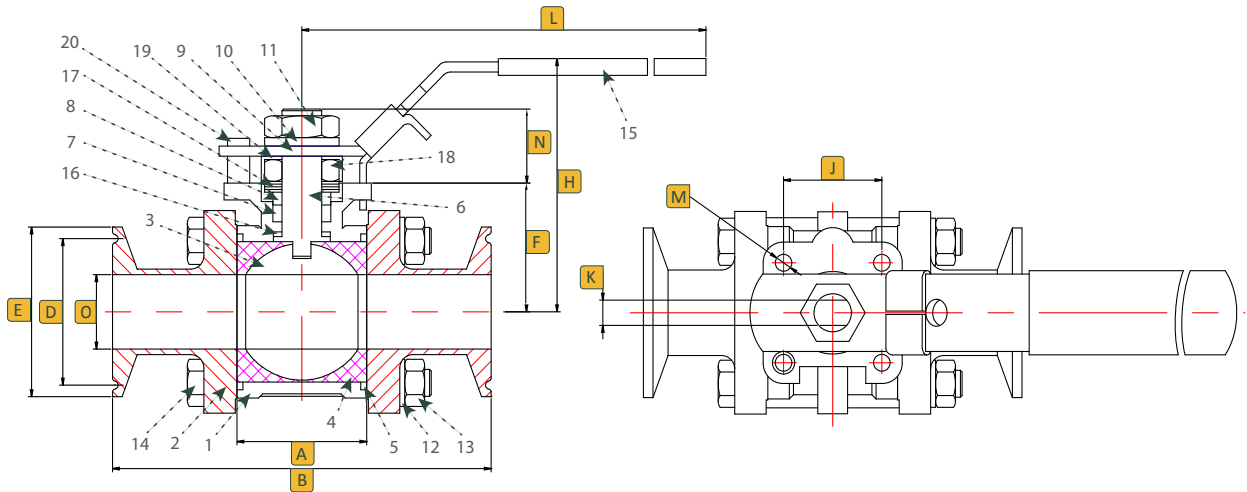
Valves, Automation & Controls

Features

- Full tube port
- 1000 WOG
- 316 stainless steel body
- Clamp, extended butt weld or short butt weld ends available
- 3-Piece design
- High cycle stem design
- ISO 5211 mounting pad
- Lockable handle lever or oval handle
- Hygienic seating design
- Live loaded stem packing
- Blow out proof stem
- Cavity-filled seats available



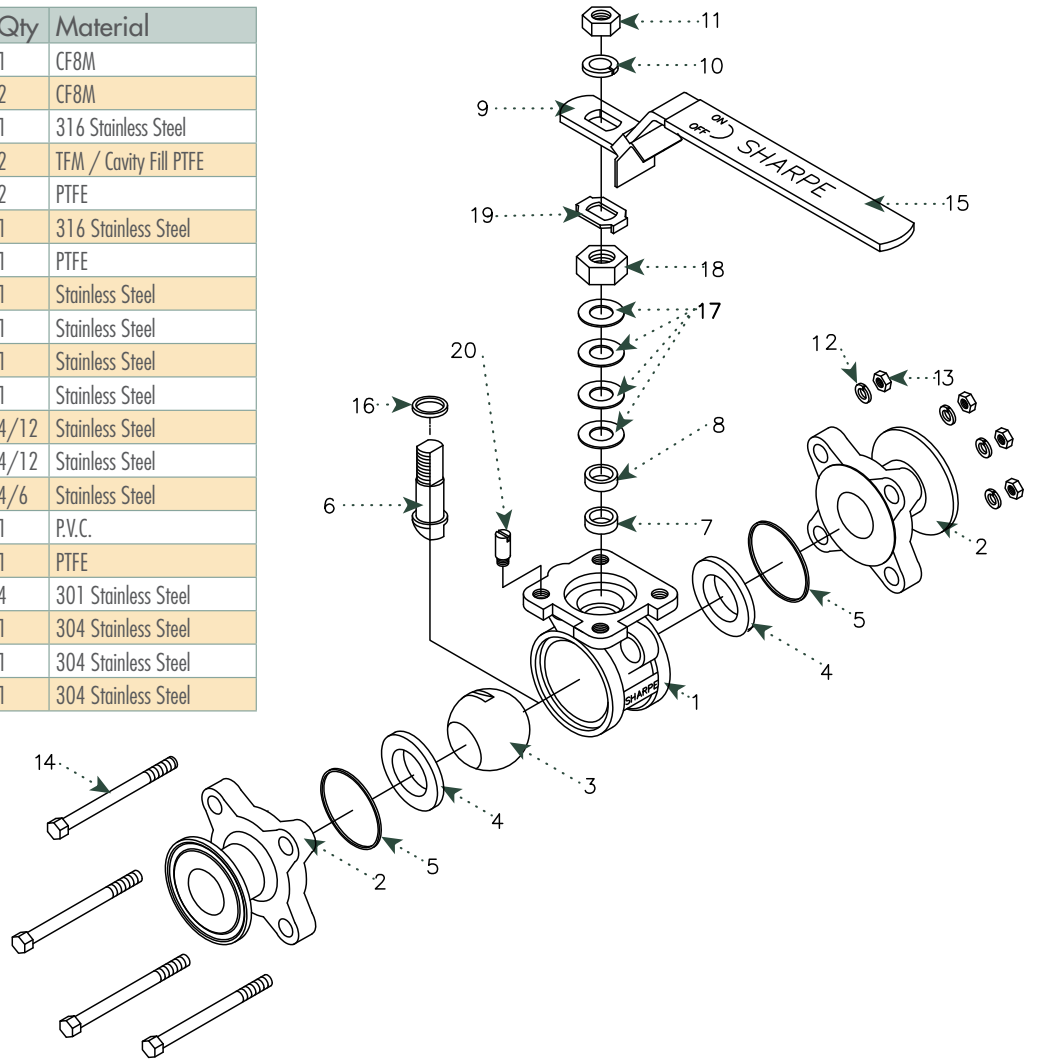
Dimensions



Dimensions (Inches)

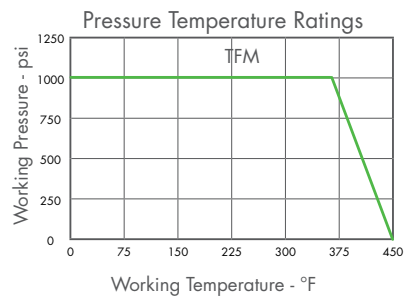
Size	A	B	D	E	F	H	J	K	L	M	N	O
1/2	0.96	3.5	0.75	0.98	1.14	2.44	1.00	0.22	4.92	M5	0.65	0.37
3/4	1.05	4.00	0.75	0.98	1.20	2.50	1.00	0.22	4.92	M5	0.65	0.62
1	1.54	4.50	1.71	2.00	1.50	2.96	1.16	0.30	5.71	M5	0.84	0.87
1-1/2	2.13	5.50	1.71	2.00	2.17	3.64	1.39	0.34	7.48	M6	1.17	1.37
2	2.65	6.25	2.20	2.52	2.52	4.05	1.39	0.34	7.48	M6	1.19	1.87
2-1/2	3.20	6.50	3.04	3.05	3.32	5.87	1.95	0.55	9.84	M8	1.47	2.37
3	3.97	10.50	3.28	3.57	3.78	6.37	1.95	0.55	9.84	M8	1.47	2.87
4	4.74	12.50	4.34	4.68	4.58	7.36	2.83	0.75	11.33	M10	1.66	3.83

No.	Part Name	Qty	Material
1	Body	1	CF8M
2	End Cap	2	CF8M
3	Ball	1	316 Stainless Steel
4	Seats	2	TFM / Cavity Fill PTFE
5	Body Gasket	2	PTFE
6	Stem	1	316 Stainless Steel
7	Stem Seal	1	PTFE
8	Gland	1	Stainless Steel
9	Handle	1	Stainless Steel
10	Stem Washer	1	Stainless Steel
11	Stem Nut	1	Stainless Steel
12	Bolts Washer	4/12	Stainless Steel
13	Bolts Nut	4/12	Stainless Steel
14	Bolts	4/6	Stainless Steel
15	Cover	1	P.V.C.
16	Thrust Washer	1	PTFE
17	Belleville Washer	4	301 Stainless Steel
18	Packing Nut	1	304 Stainless Steel
19	Lock Tab	1	304 Stainless Steel
20	Stop Pin	1	304 Stainless Steel



Technical Information

Size	CV	Weight LBS
1/2	15	1.2
3/4	30	2.0
1	60	3.0
1-1/2	130	6.0
2	360	9.2
2-1/2	779	17.19
3	1123	29.0
4	2054	41.0



Ordering

Fig: 1/2 - N66 - 6 - 6 - M - T - CE

Description: 1/2" - N66 - 316 Body - 316 Ball & Stem - TFM Seat - PTFE Seat - Clamp Ends

Size	Series	Body	Ball & Stem	Seat	Seal	Ends	Options
1/2	N66	6 316 Stainless Steel	6 316 Stainless Steel	M TFM	T PTFE	CE Clamp	EP Electro Polish
3/4							BTE Extended Buttweld
1							BE Short Buttweld
1-1/2							GO Gear Operator
2	X Oxygen						
3	SF Silicone Free						
4	7 17-4 PH Stem						
	OH Oval Handle						
	2 240 Grit						
	3 320 Grit						

Due to continuous development of our product range, we reserve the right to change the dimensions and information for this product as required.