

SHARPE® VALVES



SEA MARK II ELECTRIC ACTUATOR

SEA MARK II

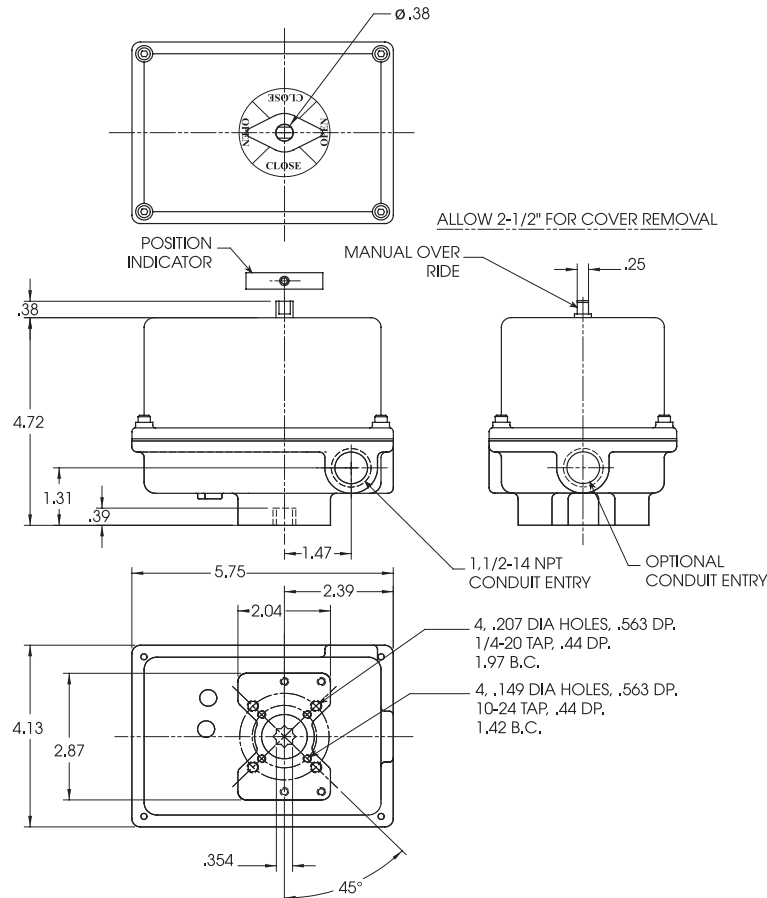
Standard Features:

Heavy Duty Gears	Can withstand stall conditions reducing down time due to gear failure.
Permanent Lubrication	Little or no maintenance
NEMA 4x Enclosure	Provides protection against splashing, seepage, falling or hose-directed water and severe external applications; they are sleet-resistant but not sleet-proof.
Open/Close Limit Switches	SPDT limit switches permit independent fine tuning of open and close positions.
Easy Adjustment	Cam-adjusted limit switches assure fast and easy field adjustments.
Visual Indicator	Visual valve position indication.
Universal Mounting	Actuators can be mounted and operated in any position.
Reversing Motors	Actuator can be used on diverse valve types and in a wide range of applications.
Powder Coating	Thermally bonded polyester coating provides a high degree of corrosion resistance.
Stainless Steel Fasteners	Provides maximum corrosion protection for severe applications.
Terminal Strip	Assures fast and easy field installation.
Factory Wired	For light indication of valve position.
Thermal Overload Protection	For motor protection should the actuator become stalled.

SEA II RX NEMA 4X

SPECIFICATIONS:

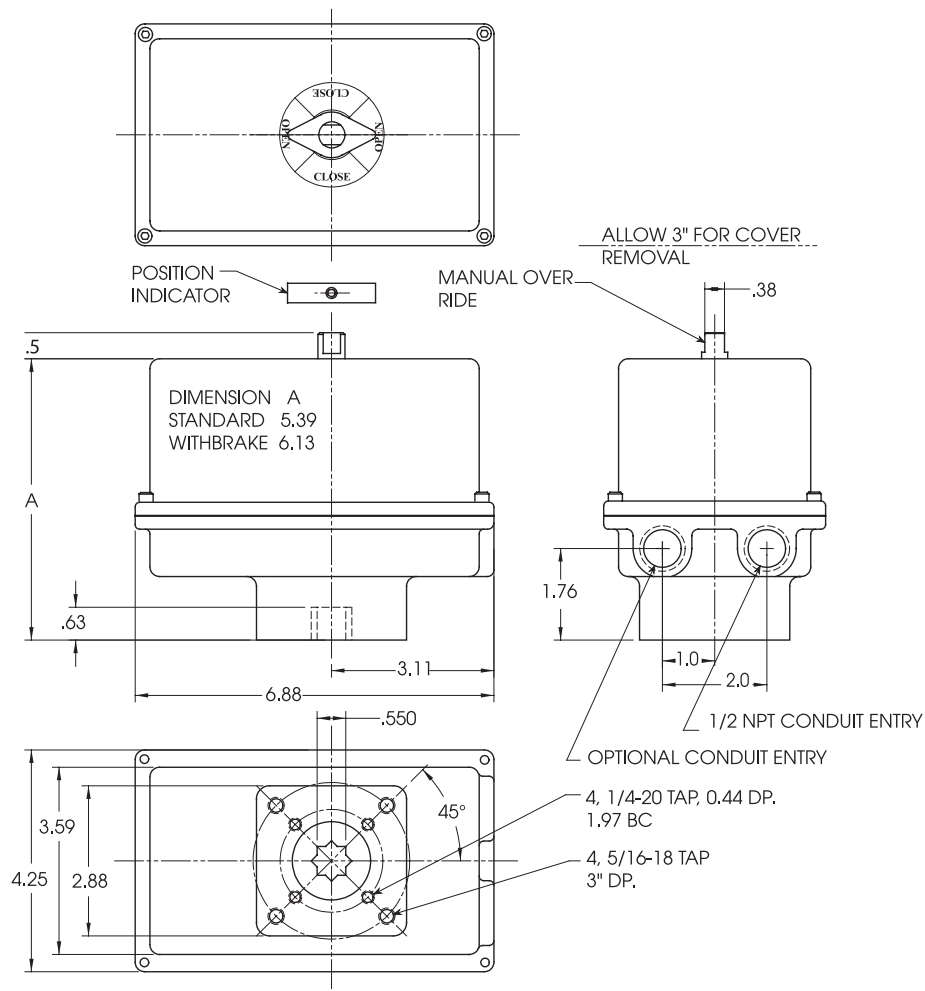
Output Torque.....	100 Lb. - In.
Cycle Time.....	2.5 Sec/90° Rotation
Duty Cycle	75%
Motor	115Vac, 60Hz, 1Ph. PSC (Optional Voltages Available)
Thermal Over-Load Protection....	Standard
Enclosure.....	NEMA 4X
Enclosure Option.....	NEMA 7 (Omit Manual Override)
Enclosure Material	Cast Aluminum
Enclosure Coating.....	Thermally Bonded Polyester Powder
Fasteners	Stainless Steel
Output Shaft.....	Stainless Steel
Manual Override.....	Standard (Except NEMA 7 & DC Motors)
Friction Brake.....	Standard
Wired for light indication.....	Standard
Lock Rotor Current.....	.55 AMP
Weight	5 Lbs.
Lubrication.....	Permanent
Installation.....	Universal
Temperature.....	-40° F, to +150° F
Heater Required at 0° F. and Below	
Switches: 10 A 1/2 HP 125, 250 Vac 0.1 A, 125 Vdc	



SEA II SX NEMA 4X

SPECIFICATIONS:

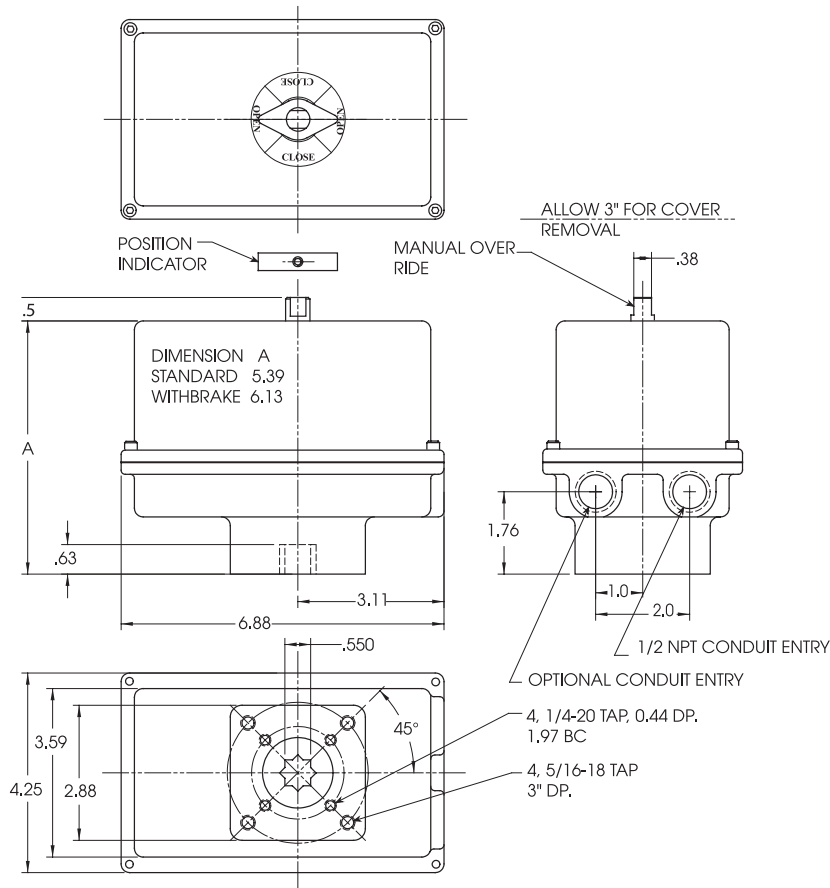
Output Torque.....	200 Lb. - In.
Cycle Time.....	5 Sec./90° Rotation
Duty Cycle	25%
Optional Extended Duty.....	75%
Cycle Time(W/Ext. Duty)	10 Sec./90° Rotation
Motor	115Vac, 60Hz, 1Ph. PSC (Optional Voltages Available)
Thermal Over-Load Protection....	Standard
Enclosure.....	NEMA 4X
Enclosure Material	Die Cast Aluminum
Enclosure Coatng.....	Thermally Bonded Polyester Powder
Fasteners	Stainless Steel
Output Shaft.....	Stainless Steel
Manual Override.....	Standard (Except DC Motors)
Friction Brake.....	Standard
Wired for light indication.....	Standard
Terminal Strip Connection	AWG 14
Lock Rotor Current.....	.75 AMP
Weight	6 Lbs.
Lubrication.....	Permanent
Installation.....	Universal
Temperature.....	-40° F, to +150° F
Heater Required at 0° F. and Below	
Switches: 15 A 1/2 HP 125, 250 Vac 0.5 A, 125 Vdc	



SEA II SXX NEMA 4X

SPECIFICATIONS:

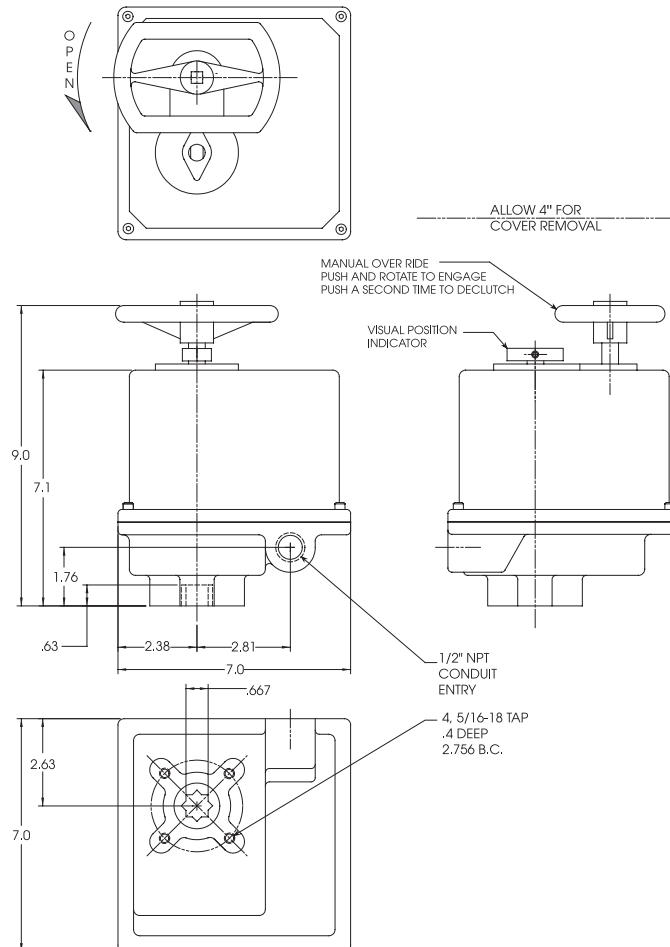
Output Torque.....	300 Lb. - In.
Cycle Time.....	5 Sec./90° Rotation
Duty Cycle	25%
Optional Extended Duty.....	75%
Cycle Time(W/Ext. Duty)	10 Sec./90° Rotation
Motor	115Vac, 60Hz, 1Ph. PSC (Optional Voltages Available)
Thermal Over-Load Protection....	Standard
Enclosure.....	NEMA 4X
Enclosure Material	Die Cast Aluminum
Enclosure Coatng.....	Thermally Bonded Polyester Powder
Fasteners	Stainless Steel
Output Shaft.....	Stainless Steel
Manual Override.....	Standard (Except DC Motors)
Friction Brake.....	Standard
Wired for light indication.....	Standard
Terminal Strip Connection	AWG 14
Lock Rotor Current.....	.99 AMP
Weight	6 Lbs.
Lubrication.....	Permanent
Installation.....	Universal
Temperature.....	-40° F, to +150° F
Heater Required at 0° F. and Below	
Switches: 15 A 1/2 HP 125, 250 Vac 0.5 A, 125 Vdc	



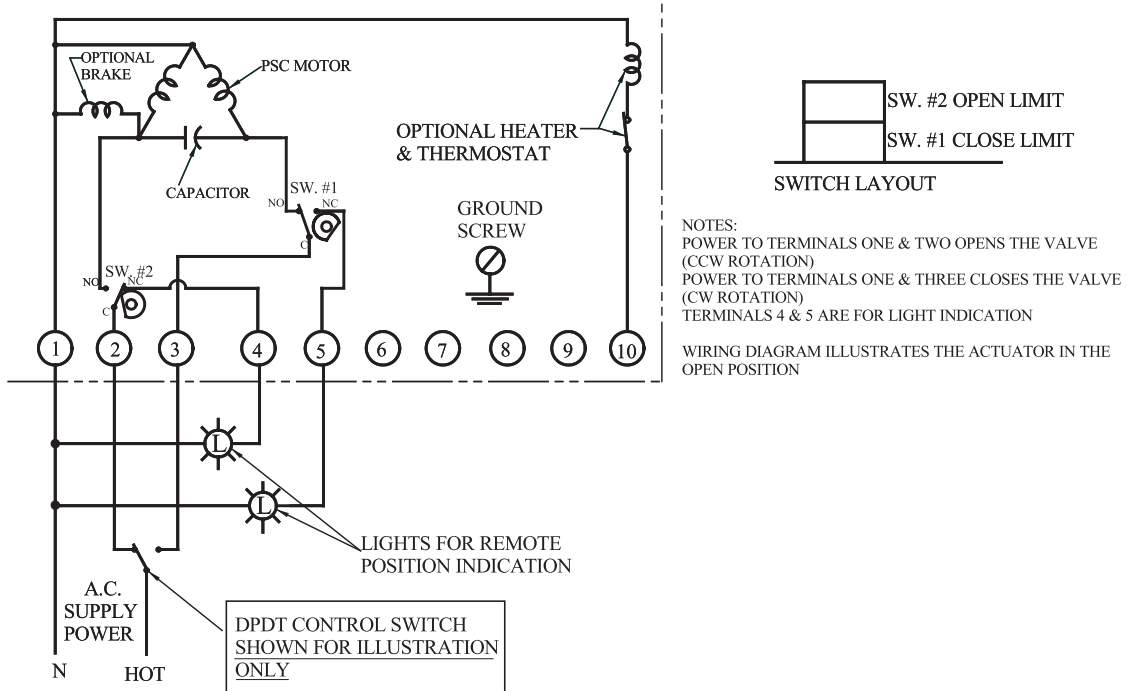
SEA MARK II MRX NEMA 4X

SPECIFICATIONS:

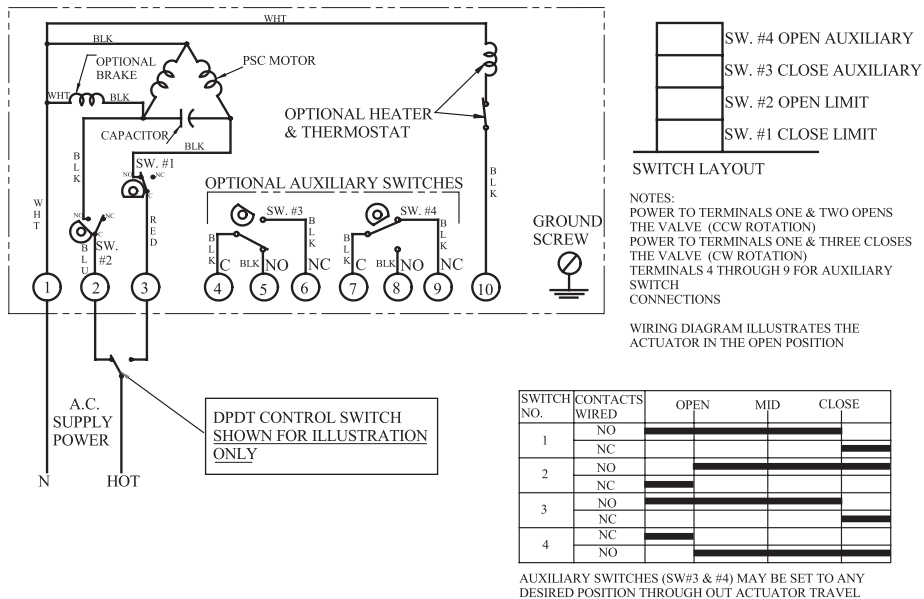
Output Torque MR	675 Lb. - In.
Cycle Time.....	15 Sec/90° Rotation
Duty Cycle	25%
Motor	115Vac, 60Hz, 1Ph. PSC (Optional Voltages Available)
Thermal Over-Load Protection....	Standard
Enclosure.....	NEMA 4X
Enclosure Material	Cast Aluminum
Enclosure Coatng.....	Thermally Bonded Polyester Powder
Fasteners	Stainless Steel
Output Shaft.....	Stainless Steel
Manual Override.....	Standard NEMA 4, Opt. NEMA 7
Friction Brake.....	Standard
Wired for light indication.....	Standard
Terminal Strip Connection	AWG 14
Lock Rotor Current.....MR.....	.75 Amp
Weight	13 Lbs.NEMA 4, 16 Lbs. NEMA 7
Lubrication.....	Permanent
Installation.....	Universal
Temperature.....	-40° F, to +150° F
Heater Required at 0° F. and Below	
Switches: 15 A 1/2 HP 125, 250 Vac 0.5 A, 125 Vdc	



SEA MARK II STANDARD FIELD WIRING 115V



SEA MARK II WITH AUXILIARY SWITCHES FIELD WIRING 115V



SHARPE® VALVES

Choose from our full line of high quality valves and actuators to meet your needs.

Whatever your flow control requirements are, Sharpe® has the right products and service to meet your needs today.



HOW TO ORDER ACTUATOR WIRING

ACTUATOR SERIES	OPTIONS
SEA II RX	7 = NEMA 7
SEA II SX	1 = 220V
SEA II SXX	2 = 24V
SEA II MRX	3 = 12 VDC
	4 = 24 VDC
	AS = Auxiliary Switches
	FP = Feedback Potentiometer
	CR = Control Relays
	HT = Heater & Thermostat
	BD = Breather & Drain
	PP = Proportional Positioner
	FT = Feedback Transmitter
	BR = Brakes
	SC = Speed Control
	TR = Timers
	TS = Torque Sensor
	CS = Controls
	TE = Two-Wire Control

SEA II RX 7

SHARPE® VALVES

A Division of Smith-Cooper International, LLC

Toll-Free 1-877-7SHARPE

(877) 774-2773

Fax: (708) 562-9250

E-Mail: info@sharpevalves.com

www.sharpevalves.com

1260 Garnet Drive

Northlake, Illinois 60164 U.S.A.