

### MODEL 65A AIR FILTER REGULATOR

#### APPLICATION DATA

- Provides Remote Control of E8, A Series Pilots, Positioners, EPC-1.
- To Upgrade Plant Air to Instrument Quality Air

## MODEL 65A AIR FILTER REGULATOR

- Converts Plant Air to Instrument Quality
- Delivers 0 to 50 PSIG

#### SPECIFICATION

Air Filter Regulator shall provide remote control for air actuated regulators and control valves. It shall convert plant air to instrument quality air and provide 0 to 50 psi delivery pressure. The Regulator shall have a flow capacity of 22 scfm.

#### OPTIONS See page 43

- **MODEL A AIR ADJUSTMENT PANEL** includes an air adjusting valve incorporating its own bleed and two gages; one for the supply air, the other to indicate the adjusting air. It comes complete and ready to be mounted directly on a control board or box.
- **MODEL B AIR ADJUSTMENT PANEL** is the same as the Model A with the exception that it has, in addition, a gage indicating the delivery pressure.

AIR FILTER REGULATOR  
and I/P TRANSDUCER

## ELECTRO-PNEUMATIC (I/P) TRANSDUCER

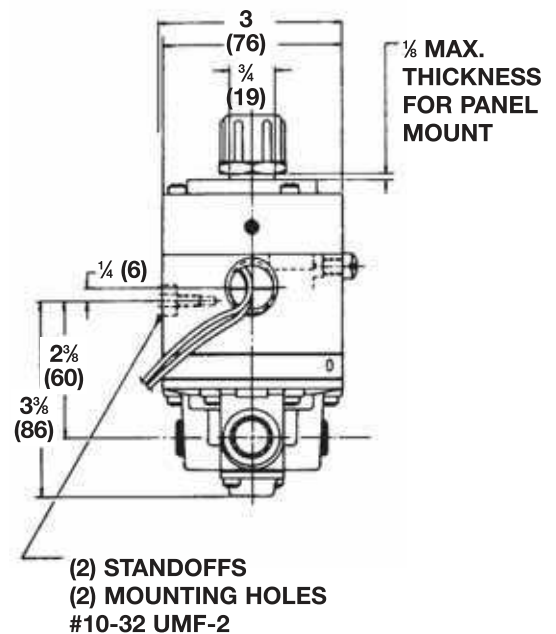
- Converts Current Signal to Pneumatic Signal
- Handles up to 150 PSIG Supply Air
- Accommodates 4-20 mA and 10-50 mA Input Signals

#### SPECIFICATION

Electro-pneumatic Transducer shall convert 4-20 mA or 10-50 mA input signals to a proportional 3-15 PSIG pneumatic output. Output capacity shall be a minimum of 17 SCFM with a 20 PSIG supply or 47 SCFM with a 120 PSIG supply.

#### MATERIALS OF CONSTRUCTION

Housing .....	Aluminum
Orifice .....	Sapphire
Nozzle.....	Bronze
PC Board .....	Fiberglass
Cover.....	Aluminum



### ELECTRO-PNEUMATIC TRANSDUCER

#### APPLICATION DATA

- Simple way to control pneumatic valves with current signal