

CAST STEEL

Valve Body Selection (for 910A, 910B & 910C Control Valves)

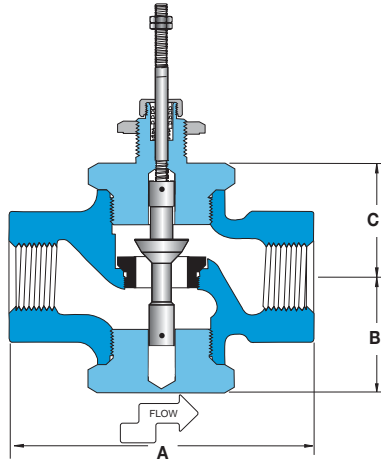
All dimensions are nominal. Dimensions in [] are in millimeters.



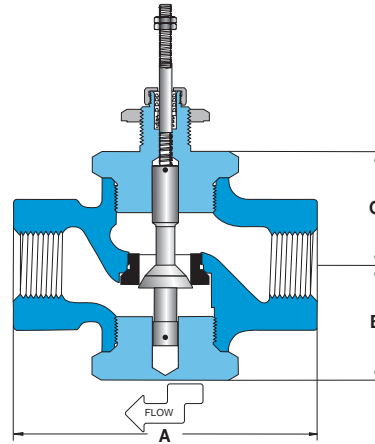
Single Seat • 1/2" – 1"

CONTROL VALVES

**Stem In-To-Close
(normally open)**



**Stem In-To-Open
(normally closed)**



Specifications

Body Material	Trim Material	Trim Style	Connection	Pressure & Temperature Rating
Cast-steel	Stainless steel	Modified linear	Threaded	250 PSI @ 410°F (210°C)

Valve Body Selection

In-To-Close (Normally Open)				Maximum Close-Off Pressure (psid)			Dimensions			Approximate Shipping Wt.
Valve Body Number	Size		C _v	Actuator			A	B	C	
	Connection (NPT)	Nominal Port		910A	910B	910C				
C05	3/4	1/2"	2.8	250	x	x	6.0 [152]	2.3 [58]	2.3 [58]	9.2 lbs [4.18 kg]
C06	3/4	3/4"	5.6	250	x	x	6.0 [152]	2.3 [58]	2.3 [58]	9.2 lbs [4.18 kg]
C55	1	1/2"	2.8	250	x	x	6.0 [152]	2.3 [58]	2.3 [58]	9.2 lbs [4.18 kg]
C56	1	3/4"	5.6	250	x	x	6.0 [152]	2.3 [58]	2.3 [58]	9.2 lbs [4.18 kg]
C57	1	1"	8.4	200	250	x	6.0 [152]	2.3 [58]	2.3 [58]	9.2 lbs [4.18 kg]

In-To-Open (Normally Closed)				Maximum Close-Off Pressure (psid)			Dimensions			Approximate Shipping Wt.
Valve Body Number	Size		C _v	Actuator			A	B	C	
	Connection (NPT)	Nominal Port		910A	910B	910C				
C15	3/4	1/2"	2.8	250	x	x	6.0 [152]	2.3 [58]	2.3 [58]	9.2 lbs [4.18 kg]
C16	3/4	3/4"	5.6	250	x	x	6.0 [152]	2.3 [58]	2.3 [58]	9.2 lbs [4.18 kg]
C65	1	1/2"	2.8	250	x	x	6.0 [152]	2.3 [58]	2.3 [58]	9.2 lbs [4.18 kg]
C66	1	3/4"	5.6	250	x	x	6.0 [152]	2.3 [58]	2.3 [58]	9.2 lbs [4.18 kg]
C67	1	1"	8.4	200	x	x	6.0 [152]	2.3 [58]	2.3 [58]	9.2 lbs [4.18 kg]