

# CAST IRON

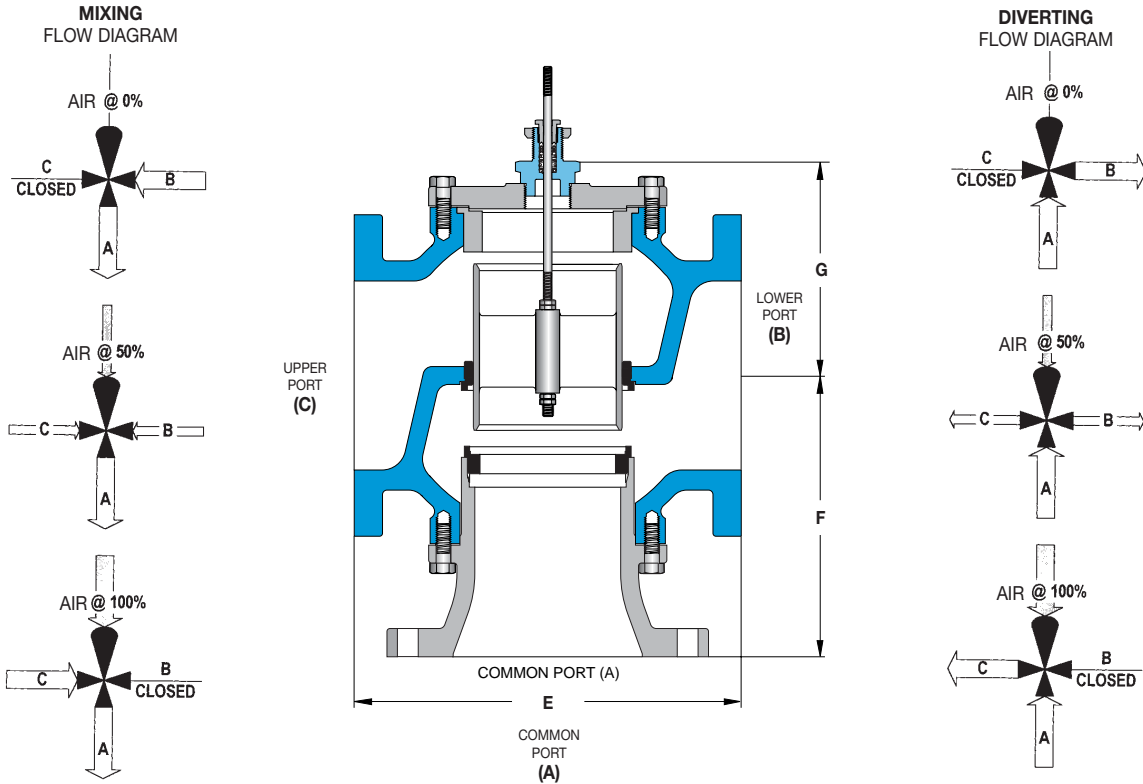
# Valve Body Selection (for 910TB Control Valve)

All dimensions are nominal. Dimensions in [ ] are in millimeters.



3-WAY • 2 1/2" - 4"

## for Mixing or Diverting



CONTROL VALVES

Trerice 3-Way Valves are not designed for use in steam applications.  
To properly control the mixing of two flows, inlet pressures at ports B and C should be as equal as possible.

### Specifications

Body Material	Trim Material	Trim Style	Connection	Pressure & Temperature Rating
Cast-Iron	Bronze	Modified linear	Class 125 flanged	125 PSI @ 300°F (149°C)

### Valve Body Selection

Mixing or Diverting				Maximum Close-Off Pressure (psid)			Approximate Shipping Wt.
Valve Body Number	Size Connection (NPT)	Size Nominal Port	C <sub>v</sub>	Actuator 910TB			
				E	F	G	
B75	2 1/2"	2 1/2"	69	9.0 [229]	7.1 [180]	5.2 [132]	62 lbs [28 kg]
B80	3"	3"	90	10.0 [254]	8.0 [203]	6.0 [152]	80 lbs [36 kg]
B85	4"	4"	196	13.0 [330]	10.0 [254]	6.9 [175]	140 lbs [64 kg]